

Norgren fuel caps incorporate a unique combination of thermal, pressure relief, and breather type caps

Protect the fuel system in the event of fire or a roll over

Minimizes the opportunity for pressure to build up in the tank

All designs meet or exceed FHWA guidelines for leakage, drop tests and flame tests

### Technical data

#### Material:

Aluminum die-casting







#### Options:

Matching locking, venting, safety features\*




\* Please contact your local Norgren technical representatives.



### Models

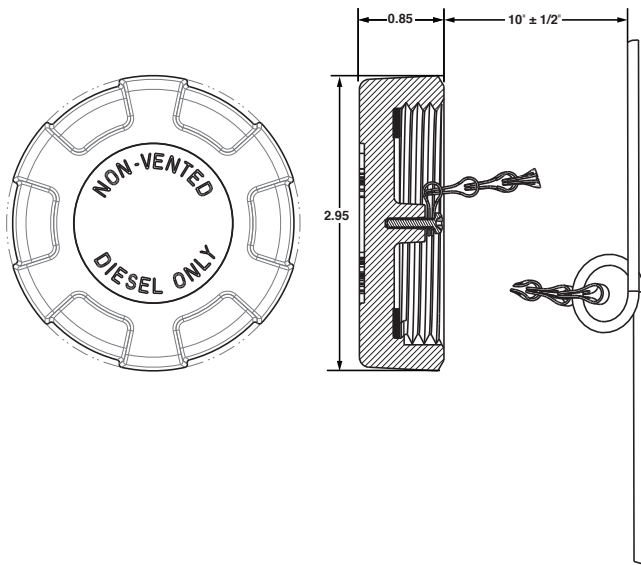
Models	Description	Cap Size/ Thread Size	Thermal Relief	Pressure Relief	Venting	Locking	Chrome	Chain Length
 31302-1	● 2" Closure only cap	2"-11.5 NPSM	No	No	No	No	No	10"
 8103	● 2" Full function cap, chrome	2"-11.5 NPSM	Yes	Yes	Yes	No	Yes	12"
 8105-2	● 2.5" Fuel cap for diesel fuel	2.5"-8 UN	Yes	Yes	Yes	No	No	12"
 8110-1	● 3" Float style cap	3"-8 NPLS	Yes	Yes	Yes	No	No	12"
 8111-1	● 3" Float style cap	3"-8 NPLS	Yes	Yes	Yes	Yes	No	12"
 8120	● 3" Float style cap	3"-5.5 custom thread	Yes	Yes	Yes	No	No	12"

Models

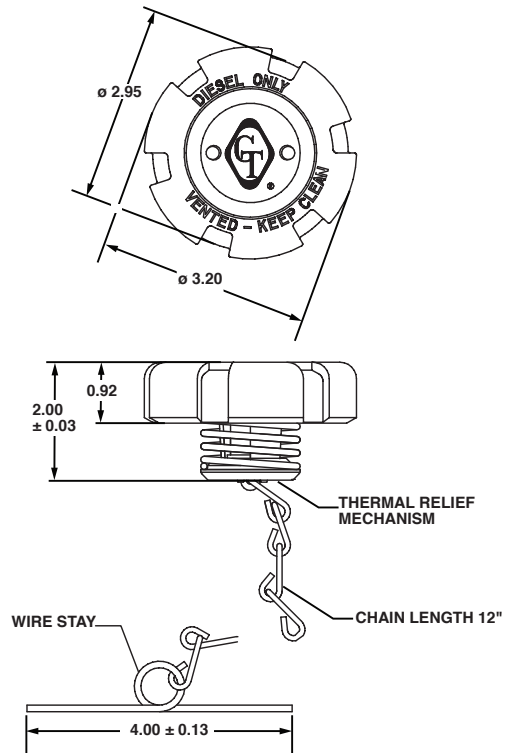
Models	Description	Cap Size/ Thread Size	Thermal Relief	Pressure Relief	Venting	Locking	Chrome	Chain Length
 8121	● 3" Float style cap	3"-5.5 custom thread	Yes	Yes	Yes	Yes	No	12"
 8130-1	● 4" Fuel cap for diesel fuel	4"-8 NPSM	Yes	Yes	Yes	No	No	12"
 8131-1	● 4" Fuel cap for diesel fuel	4"-8 NPSM	Yes	Yes	Yes	Yes	No	12"

Dimensions (Inches)

31302



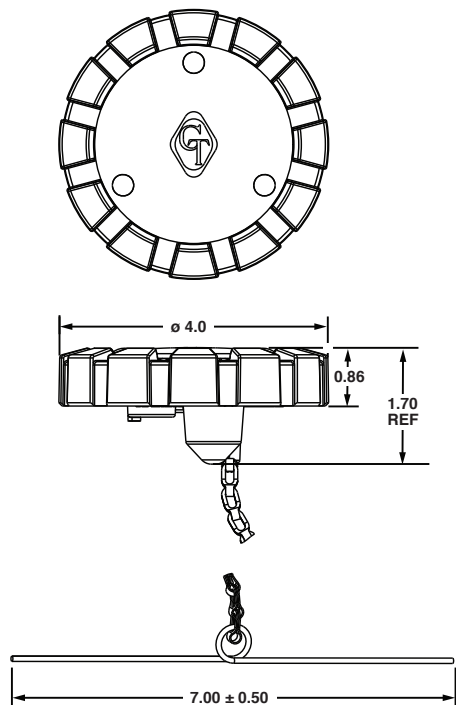
8103 and 8105



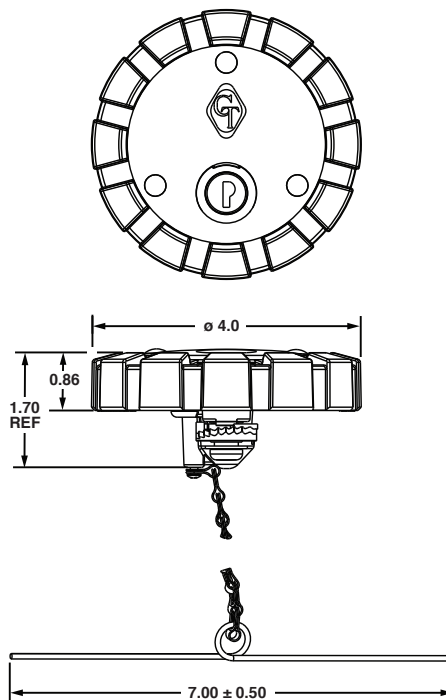
- In stock
- ◆ Please call 1.800.710.7823 for availability

Dimensions (Inches)

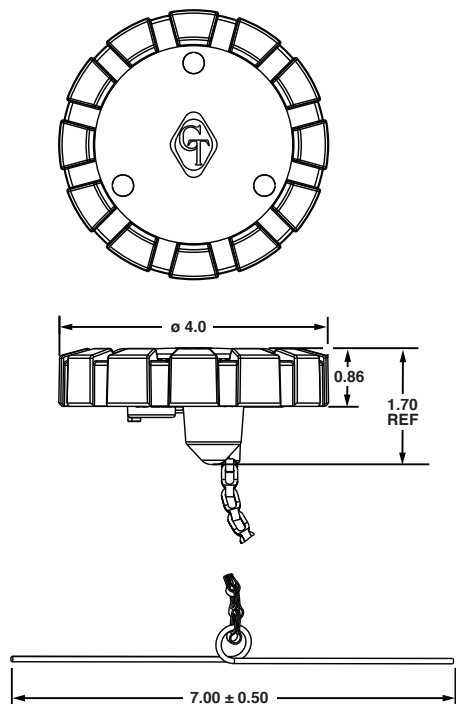
8110-1



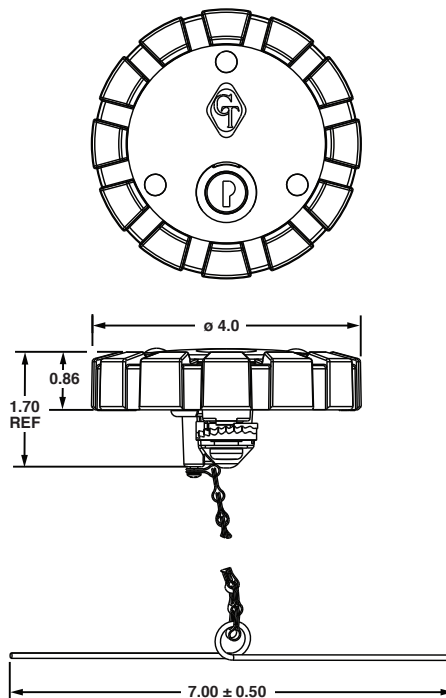
8111-1



8120

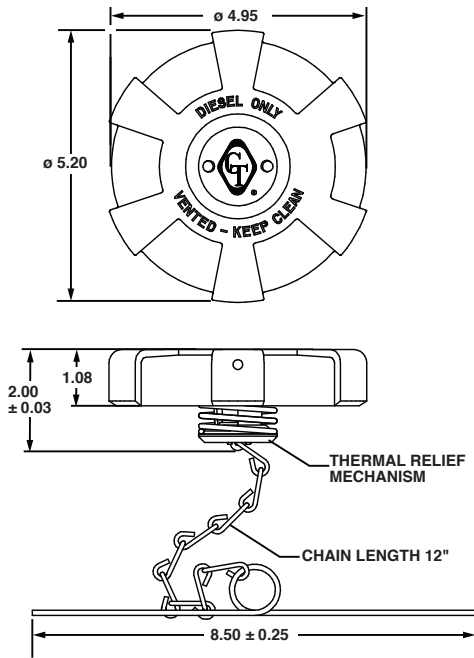


8121

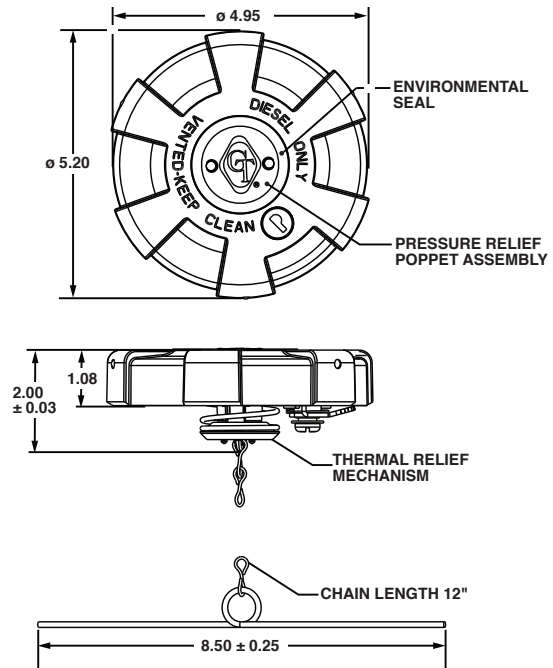


Dimensions (Inches)

8130



8131



- In stock
- ◆ Please call 1.800.710.7823 for availability