

- > Acts as an interface connecting a cup to a venturi/ vacuum source
- > Used primarily in destacking applications
- > Allows for different height stacks to be used with the same system
- > Connects to a vacuum pump, air source, or venturi on one end and either a suction cup or a line to a venturi cup combo on the other end
- > Various options available to give maximum versatility to fit a wide variety of tooling situations



Order Information

SM X X X XX or XXXX

Diagram A: Unit Measure	Code
English	E
Metric	M

Diagram B: Travel Length	Code
2" travel	2
4" travel	4

Diagram B: Orientation	Code
Non-inverted	N
Inverted	I

Attachment Options	Code
Ø1" POZ-E-LOK (Smooth)	G10S
Ø25 mm POZ-E-LOK (Smooth)	G25S
Ø25 mm POZ-E-NOR (Toothed)	G25N
Ø1.5" POZ-E-LOK (Smooth)	G15S
Ø40 mm POZ-E-LOK (Smooth)	G40S
Ø40 mm POZ-E-NOR (Toothed)	G40N

Attachment Options	Code
Apple Core	AN
Ball Mount	BN
Gear	GN
None	NN

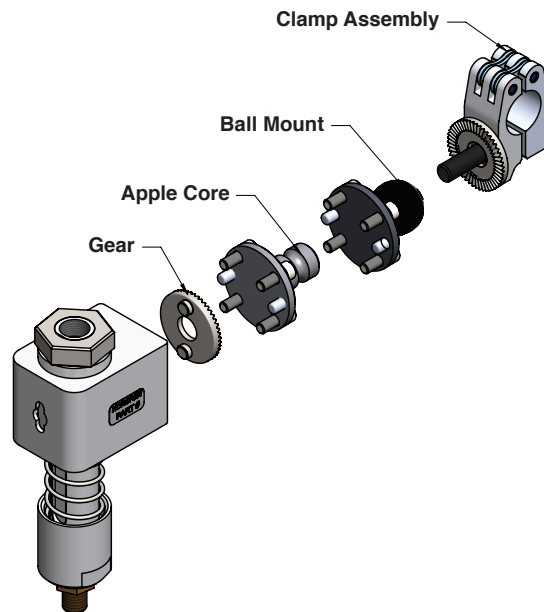
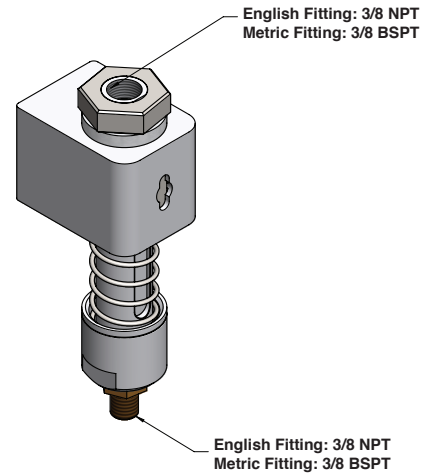




Diagram A: Unit Measure

- > All threads are offered in English (NPT) or Metric (BSPT) units to ensure compatibility with any system
- > 3/8 male pipe fitting located on the bottom of the shaft optimal for suction cup attachment
- > 3/8 female pipe thread located at the top of the shaft allowing for a IMI Norgren venturi or other vacuum source attachment

Note: Unit Measure option affects the shaft's ID thread on Top and the OD thread at the bottom.



Order information

SM X XXXX

↓

Unit Measure	Code
English	E
Metric	M

Diagram B: Travel Length and Orientation

- > Travel provides compensation for the height change in the sheet metal stack.
- > A non-inverted or inverted orientation of the spring mount provides flexibility to align the cup to be mounted on the same plane as the sheet metal.

Options selector

SMX X X XX

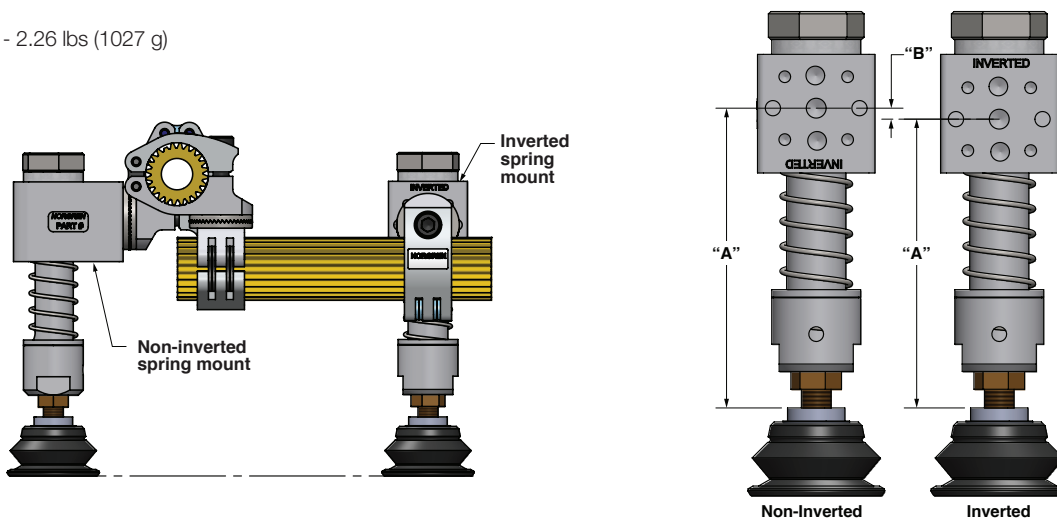
↓

Travel Length	Code
2" travel	2
4" travel	4

Orientation	Code
Non-Inverted	N
Inverted	I

Technical data

Weight:
1.57 lbs (712 g) - 2.26 lbs (1027 g)



Dimensions

Stroke Options	"A" in (mm)	"B" in (mm)
2" travel (non-inverted)	5.05 (128.40)	0.185 (4.7)
2" travel (inverted)	4.87 (123.70)	0.185 (4.7)
4" travel (non-inverted)	7.01 (178.07)	0.185 (4.7)
4" travel (inverted)	6.82 (173.37)	0.185 (4.7)

Dimensions in inches (mm) are for reference only



Diagram C: Attachment Options

> Various mounting options available to allow the spring mount to be attached to any tooling system

Order information

SMXXX XX or XXXX

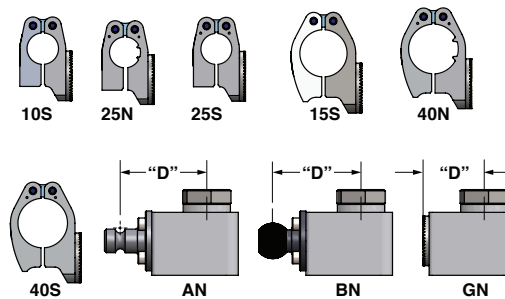
Attachment Options	Code
Apple Core	AN
Ball Mount	BN
Gear	GN
None	NN

Attachment Options	Code
Ø1" POZ-E-LOK (Smooth)	G10S
Ø25 mm POZ-E-LOK (Smooth)	G25S
Ø25 mm POZ-E-NOR (Toothed)	G25N
Ø1.5" POZ-E-LOK (Smooth)	G15S
Ø40 mm POZ-E-LOK (Smooth)	G40S
Ø40 mm POZ-E-NOR (Toothed)	G40N

Technical data

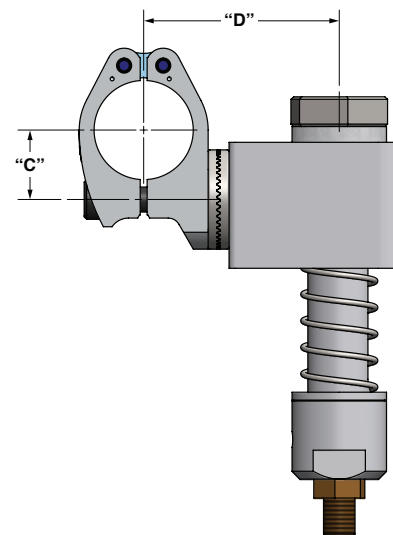
Weight:

1.57 lbs (712 g) - 2.26 lbs (1027 g)



Dimensions

Clamp Assembly	"C"	"D"
10S	0.8661 (22)	2.81 (71.38)
15S	1.1024 (28)	3.105 (78.88)
25S	0.8661 (22)	2.81 (71.38)
25N	0.8661 (22)	2.81 (71.38)
40S	1.1024 (28)	3.105 (78.88)
40N	1.1024 (28)	3.105 (78.88)
AN	0 (0)	2.75 (69.85)
BN	0 (0)	2.80 (71.12)
GN	0 (0)	1.94 (49.33)
NN	0 (0)	1.75 (44.45)



Dimensions in inches (mm) are for reference only

Warning

Improper selection, misuse, age or malfunction of components used in systems can cause failure in various modes. The system designer is warned to consider the failure modes of all component parts and to provide adequate safeguards to prevent personal injury or damage to equipment or property in the event of such failure modes. System designers and end users are cautioned to consult instruction sheets and specifications available from the factory. The system designer/end user is responsible for verifying that all requirements for the application are met.

Warranty

The products described herein are warranted subject to seller's Standard Terms and Condition of Sale, available at seller's website.

Proposition 65: These products may contain chemicals known to the state of California to cause cancer, or birth defects, or other reproductive harm.