

KIP Fluid Control Valves - Series 3



- > 2/2 and 3/2 direct acting
- > Designed for long life and reliability
- > Ideally suited for air, liquid, and vacuum control in a broad range of sectors
- > Different materials available for compatibility with neutral gases and liquids
- > Custom fitting or electrical hardware installation available upon request



Specifications

Operating Pressure:

2/2: 0 to 1000 psig, vacuum capable*

3/2: 0 to 250 psig, vacuum capable*

Orifice

Ø1/32" to Ø5/32"

MOPD:

2/2: 15 - 300 psig

3/2: 5 - 100 psig

Cv Range:

2/2: 0.035 to 0.290

3/2: 0.035 to 0.285

Actuation:

Solenoid

Coil:

AC, DC, rectified coil*

Coil Class Options:

B: 266°F (130°C) standard

H: 356°F (180°C)

Connection:

1/8" NPTF or 1/4" NPTF

Electrical Connection

24" flying leads or 1/4" spade terminal

Switching Function:

2/2: NO, NC

3/2: NO, NC, Multi-purpose, Directional Control

Voltage Options:

12VDC, 24VDC, 24/60VAC,

120/60VAC, 240/60VAC

Wattage:

7 Watts, nominal

Duty Cycle:

Continuous

Response Time:

9ms, typical

Weight:

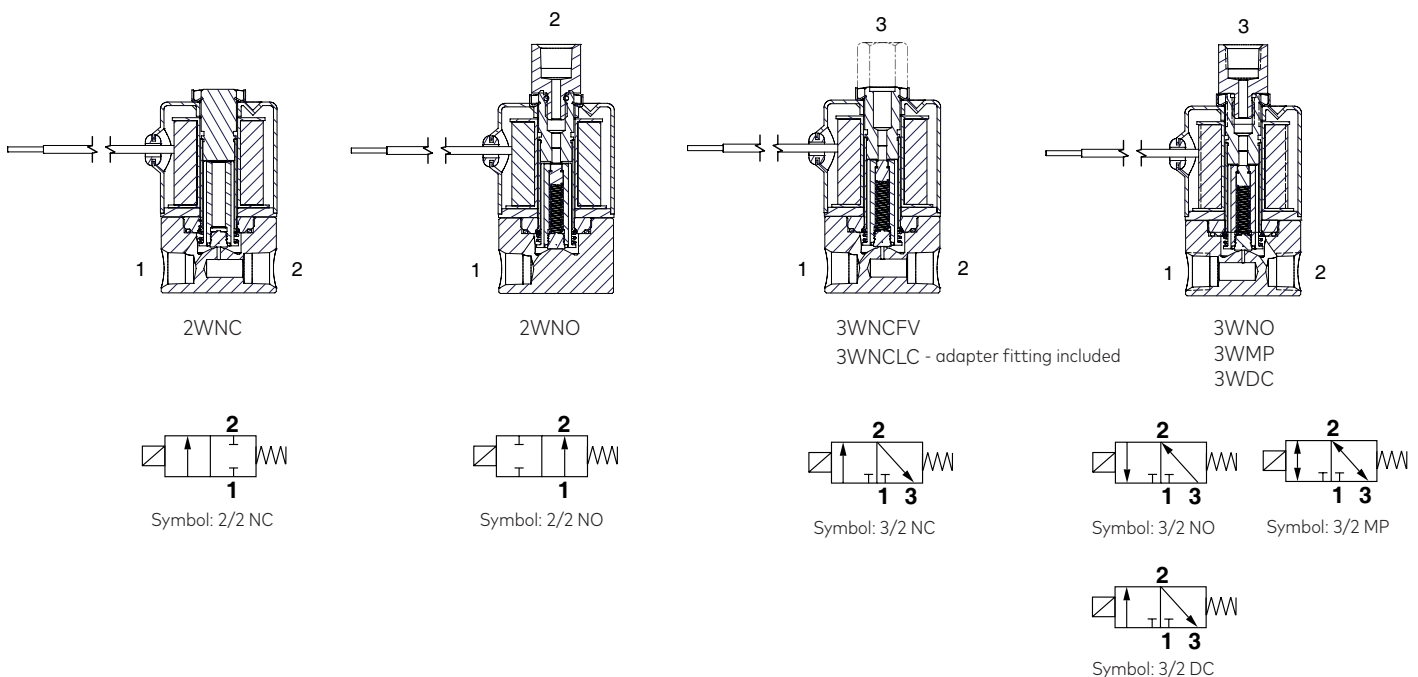
9oz, typical

Material:

Body: brass or stainless steel

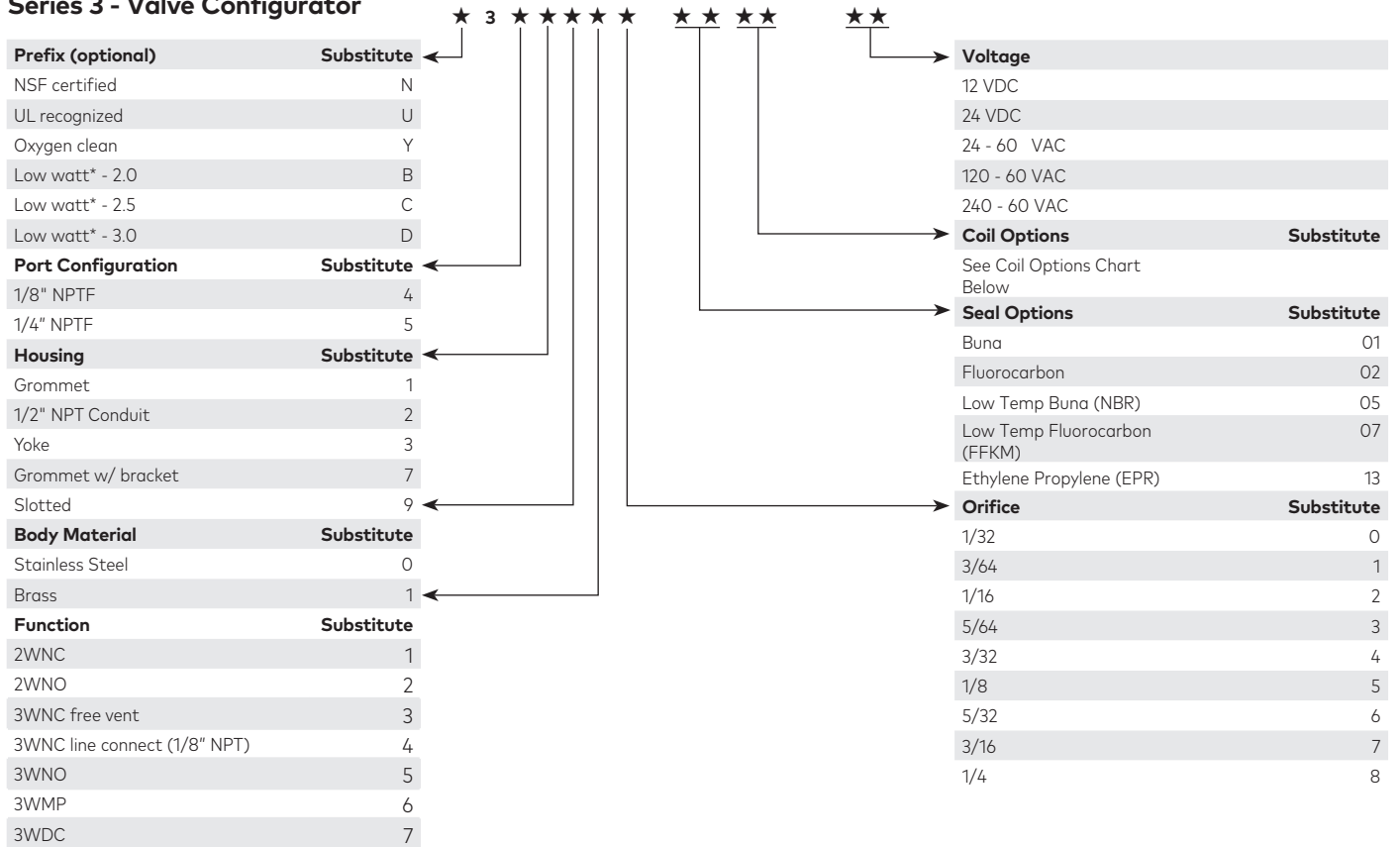
Internal wetted parts: 430FR & 300 series CRES

*For vacuum ratings and rectified coil options, call technical support at 860-677-0272 or email: farmingonttechnical@imi-precision.com



Standard Valve Selection

Series 3 - Valve Configurator



Coil Options

Number	Housing	Type	Class
01	1 - Grommet	Standard - dry tape wrapped with leads	B
01	2 - Conduit	Standard - dry tape wrapped with leads	B
61	9 - Slotted	Free-standing, molded with leads	B
61	3 - Yoke	Free-standing, molded with leads	B
41	2 - Conduit	Potted with leads	B
31	9 - Slotted	3/16" Vertical Spade	B
51	9 - Slotted	1/4" Vertical Spade	B
51	3 - Yoke	1/4" Top Spade (Available with FWR option***)	B

*For class H coils replace second digit with 3.
Example: 43= Class H Potted with leads

Series 3 - 2/2 NC Cv and MOPD Values

Orifice Diameter		Low Watt Specifications						
Body	Stop	MOPD (psi)	Cv Value	Part Numbering	Low Watt Cv Value	2.0 Watt B	2.5 Watt C	3.0 Watt D
1/32	-	1000	0.035	3***10	0.030	140	225	405
3/64	-	600	0.050	3***11	0.050	105	190	315
1/16	-	400	0.095	3***12	0.085	55	85	155
5/64	-	300	0.140	3***13	0.125	40	60	105
3/32	-	250	0.185	3***14	0.170	25	35	70
1/8	-	150	0.265	3***15	0.225	25	35	50
5/32	-	100	0.330	3***16	0.280	13	20	35
3/16	--	40	0.385	3***17	-	-	-	-
1/4		15	0.450	3***18	-	-	-	-

For low watt valves, please use the prefix; B for 2.0 watt; C for 2.5 watt; and D for 3.0 watt as shown

Series 3 - 2/2 NO Cv and MOPD Values

Orifice Diameter	MOPD (psi)	Cv Value	Part Numbering
1/32	400	0.035	3***20
3/64	300	0.050	3***21
1/16	180	0.095	3***22
5/64	140	0.135	3***23

Series 3 - 3/2 NC Cv and MOPD Values

Orifice Diameter	MOPD (psi)	Cv Value Body	Cv Value Endstop	Part Numbering
1/32	250	0.035	0.025	3***40
3/64	175	0.050	0.065	3***41
1/16	125	0.085	0.115	3***42
5/64	100	0.125	0.145	3***43
3/32	75	0.165	0.145	3***44
1/8	45	0.240	0.145	3***45
5/32	20	0.290	0.145	3***46
3/16	10	0.345	0.145	3***47
1/4	5	0.415	0.145	3***48

For free vent, change fifth digit from 4 to 3
Consult Technical Support for low watt options for 3/2 NC valves

Series 3 - 3/2 MP Cv and MOPD Values

Orifice Diameter	MOPD (psi)	Cv Value Body	Cv Value Endstop	Part Numbering
-	175	0.035	0.025	3***60
-	125	0.050	0.065	3***61
-	100	0.085	0.115	3***62
-	75	0.125	0.145	3***63
-	50	0.165	0.145	3***64
-	25	0.240	0.145	3***65
-	15	0.290	0.145	3***66
-	10	0.345	0.145	3***67
-	5	0.415	0.145	3***68

Consult Technical Support for low watt options for 3/2 MP valves

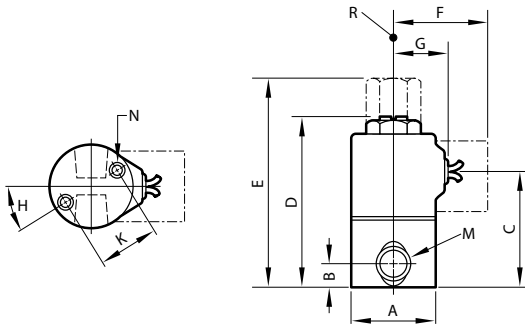
Series 3 - 3/2 NO Cv and MOPD Values

Orifice Diameter	MOPD (psi)	Cv Value Body	Cv Value Endstop	Part Numbering
1/32	200	0.035	0.025	3***50
3/64	150	0.050	0.065	3***51
1/16	125	0.085	0.115	3***52
5/64	100	0.125	0.145	3***53
3/32	75	0.165	0.145	3***54
1/8	60	0.240	0.145	3***55
5/32	25	0.290	0.145	3***56
3/16	10	0.345	0.145	3***57
1/4	5	0.415	0.145	3***58

Series 3 - 3/2 Directional Control

Orifice Diameter	MOPD (psi)	Cv Value Body	Cv Value Endstop	Part Numbering
1/32	250	0.035	0.025	3***70
3/64	160	0.050	0.065	3***71
1/16	120	0.085	0.115	3***72
5/64	80	0.125	0.145	3***73
3/32	60	0.165	0.145	3***74
1/8	35	0.240	0.145	3***75
5/32	20	0.285	0.145	3***76
3/16	10	0.345	0.145	3***77
1/4	5	0.415	0.145	3***78

Series 3 Dimensions

 Dimensions in mm
 Projection/Third angle

Standard Valve

	A	B	C	D	E	F	G	H	K	M	N	R
Series 3	1.18 (30)	.355 (9)	1.65 (42)	2.46 (62)	2.80 (71)	1.19 (30)	.78 (20)	41° 0°	.91 (23)	1/4-18 NPTF	#8-32 UNC x 1/4 MFT	1/4-18 NPTF