

NUGGET 200 SOLENOID & AIR ACTUATED SPOOL VALVE

- Long lasting spool design
- High flow compact valves
- Wide range of operators and voltages available
- Three functional types: available in 3/2, 5/2, and 5/3 configurations

Technical Data

Medium:
Filtered and lubricated or non-lubricated compressed air or vacuum

Operation:
Spool valve solenoid pilot actuated

Mounting:
Stacking – through holes on manifold base
Inline – through holes in valve body

Port size:
PTF – 1/4", 3/8", 1/2"
ISO G – 1/4", 3/8"

Operating Pressure:
Maximum 150 psig (10.3 bar)

Operating Temperature:
-20° to 120°F (-29° to 50°C)
Consult Technical Service for use below 35°F (2°C)

Voltage:
12 VDC available upon request

Material





Body: Aluminum
Spool: Anodized aluminum
Solenoid Operator Base: plastic
Plunger and spring: Stainless steel
Elastomers: Nitrile and special nitrile-based low-friction elastomers







● Models - Lift Axle Control Spool Valves

Model	Function	Description	Seal	Flow Cv	Port size (inch)	Operating pressure (psi)	Body & Spool	Operator	Repair kit
 K910014	5/2	Sol/Spring with Extended Manual override 12 VDC Connector down	Nitrile	1.67	3/8	35 - 150			
 K910019	5/2	Sol/Spring with Extended Manual override 12 VDC Connector up	Nitrile	1.67	3/8	35 - 150			
 K910038	3/2	Push/Pull 3/2 valve	Nitrile	1.67	3/8	35 - 150		N/A	
 K910054	3/2	Push Pull 3/2 valve with air pilot reset	Nitrile	1.67	3/8	35 - 150		N/A	
 K910147	5/2	12 VDC Solenoid operated 5/2 spring return valve with large push/twist locking manual override	FKM	1.67	3/8	35 - 150		N/A	
 K910168	5/2	12 VDC Solenoid operated 5/2 spring return valve with large push/twist locking manual override	Nitrile	1.67	3/8	35 - 150			
 K990037	5/2	12 VDC Solenoid/Spring return with integrated manual regulator, for power down operation on Lift-axle control	Nitrile	1.67	3/8	35 - 150	N/A	N/A	N/A





● Models - 3/2 Valves - Air actuates/air return

Model	Flow Cv	Port size (inch)	Operating pressure (psi)	Body and spool	Operator	Repair kit
						
K41DA00KA2KA2	1.67	1/4	35 - 150	K41DA00	KA2	54237-59
K41EA00KA2KA2	1.67	3/8	35 - 150	K41EA00	KA2	54237-59

● Models - 3/2 Valves - Air actuated/spring return





Model	Flow Cv	Port size (inch)	Operating pressure (psi)	Body and spool	Operator	Repair kit
						
K41DA00KS6KA2	1.67	1/4	45 - 150	K41DA00	KA2	54237-59
K41EA00KS6KA2	1.67	3/8	45 - 150	K41EA00	KA2	54237-59

● Models - 5/2 Valves - Air actuates /spring return





Model	Flow Cv	Port size (inch)	Operating pressure (psi)	Body and spool	Operator	Repair kit
						
K71DA00KS6KA2	1.67	1/4	35 - 150	K71DA00	KA2	54237-56
K71EA00KS6KA2	1.67	3/8	35 - 150	K71EA00	KA2	54237-56
K71EA01KS6KA1*	1.67	3/8	35 - 150	K71EA01	KA1	54237-56

* Low profile

● Models - 5/2 Valves - Air actuates/air return





Model	Flow Cv	Port size (inch)	Operating pressure (psi)	Body and spool	Operator	Repair kit
						
K71DA00KA2KA2	1.67	1/4	15 - 150	K71DA00	KA2	54237-56
K71EA00KA2KA2	1.67	3/8	15 - 150	K71EA00	KA2	54237-56

● Models - 5/3 Valves - Air actuates/air return





Model	Flow Cv	Port size (inch)	Operating pressure (psi)	Body and spool	Operator	Repair kit
						
K81DA00KACKAC ³	1.67	1/4	45 - 150	K81DA00	KAC	54237-56
K81EA00KACKAC ³	1.67	3/8	45 - 150	K81EA00	KAC	54237-56

3 All ports blocked





● Models - 3/2 Valves - Solenoid actuates/spring return

Model	Voltage	Connection	Manual override	Flow Cv	Port size inch	Operating pressure psig	Body and spool	Operator	Repair kit
									
K41DA00KS6KV21W ²	24 VDC	Cable grip	Locking	1.67	1/4	35 - 150	K41EA00	KV21W2	54237-59
K41EA00KS6KV21W ²	24 VDC	Cable grip	Locking	1.67	3/8	35 - 150	K41EA00	KV21W2	54237-59

● Models - 5/2 Valves - Solenoid actuated/spring return

Model	Voltage	Connection	Manual override	Flow Cv	Port size inch	Operating pressure psig	Body and spool	Operator	Repair kit
									
K71DA00KS6KV21W2	24 VDC	Cable grip	Locking	1.67	1/4	35 - 150	K71DA00	KV21W2	54237-56
K71EA00KS6KV21W2	24 VDC	Cable grip	Locking	1.67	3/8	35 - 150	K71EA00	KV21W2	54237-56
K71FA00KS6KV21W2	24 VDC	Cable grip	Locking	1.67	1/2	35 - 150	K71FA00	KV21W2	54237-56

● Models - 5/2 Valves - Solenoid actuates/solenoid return

Model	Voltage	Connection	Manual override	Flow Cv	Port size inch	Operating pressure psig	Body and spool	Operator	Repair kit
									
K71DA00KV2KV22W2	24 VDC	Cable grip	Locking	1.67	1/4	15 to150	K71DA00	KV21W2	54237-56
K71EA00KV2KV22W2	24 VDC	Cable grip	Locking	1.67	3/8	15 to150	K71EA00	KV21W2	54237-56

● Connectors

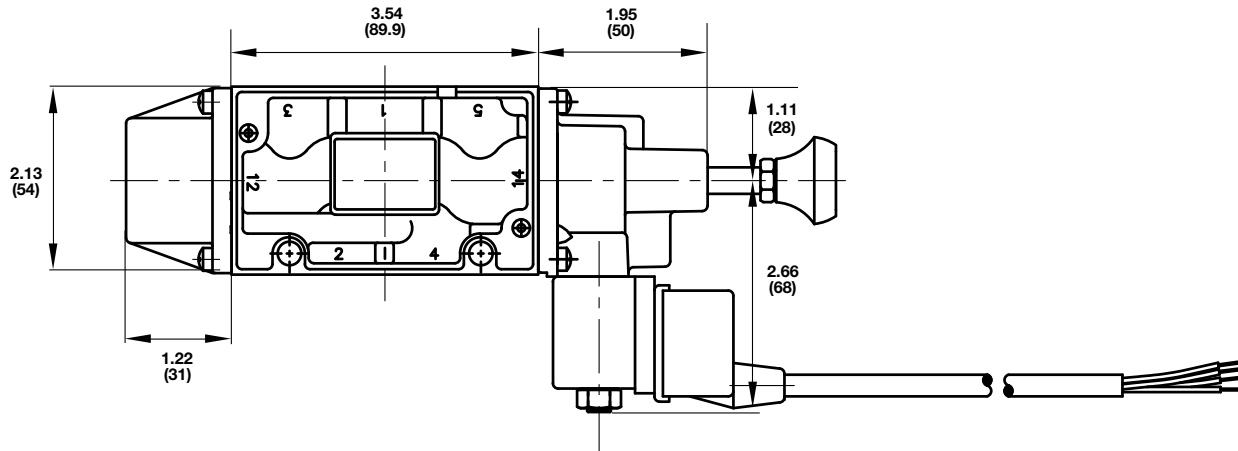
Part number	Code
3-Pin Industrial Standard 22mm	
-	A = no connector
54934-01	B = Cable grip 0-240 VAC/ VDC
54934-21	C = 6 ft molded cable, 0-240 VAC/ VDC
54934-08	H = Cable grip w/indicator light 24 VDC
54934-05	Z = 1/2" Conduit 0-240 VAC/ VDC
54934-30	5 = 6 ft molded cable w/indicator light, surge suppression, 24 VAC/ VDC

● Solenoid Coils

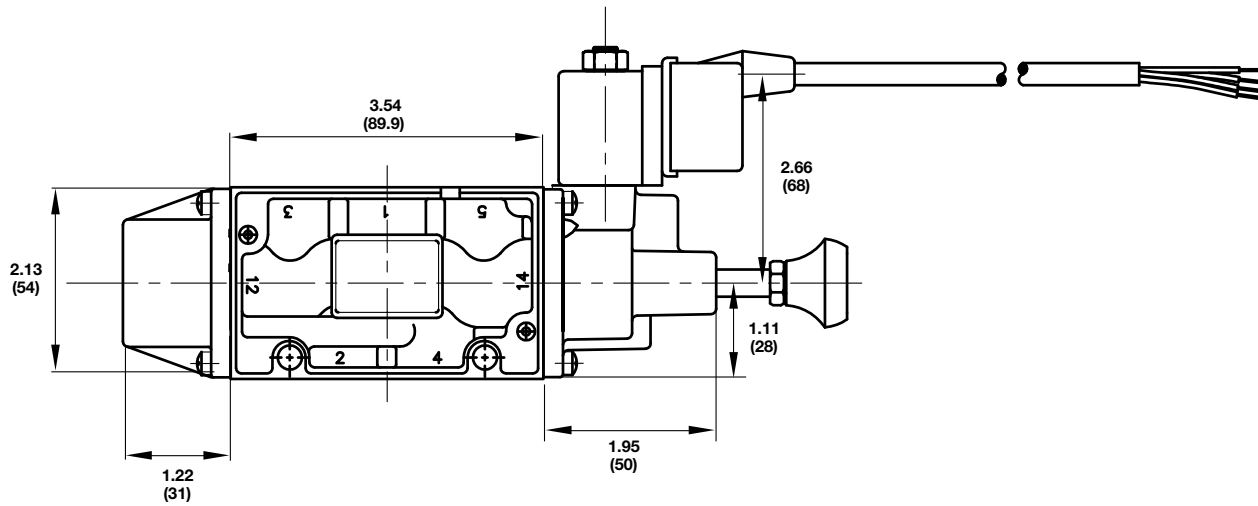
Model	Voltage
54452-02	12 VDC, 7.5W
54452-03	24 VDC, 6W
54452-05	24 VAC

● Specifications for Lift Axle Control Spool Valves

K910014

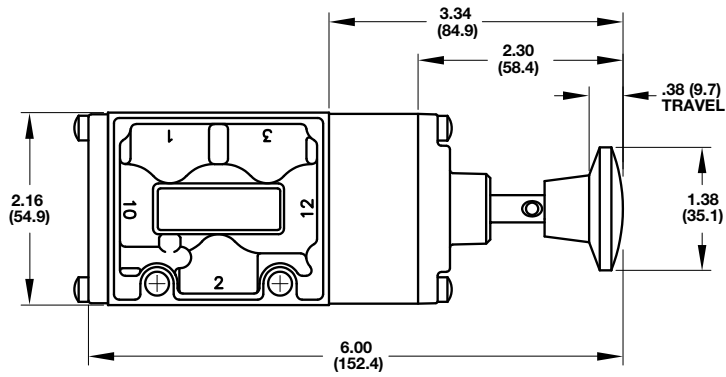


K910019

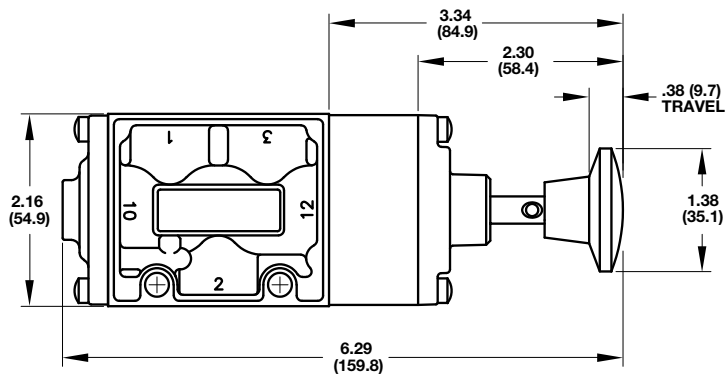


NUGGET 200 SOLENOID & AIR ACTUATED SPOOL VALVE

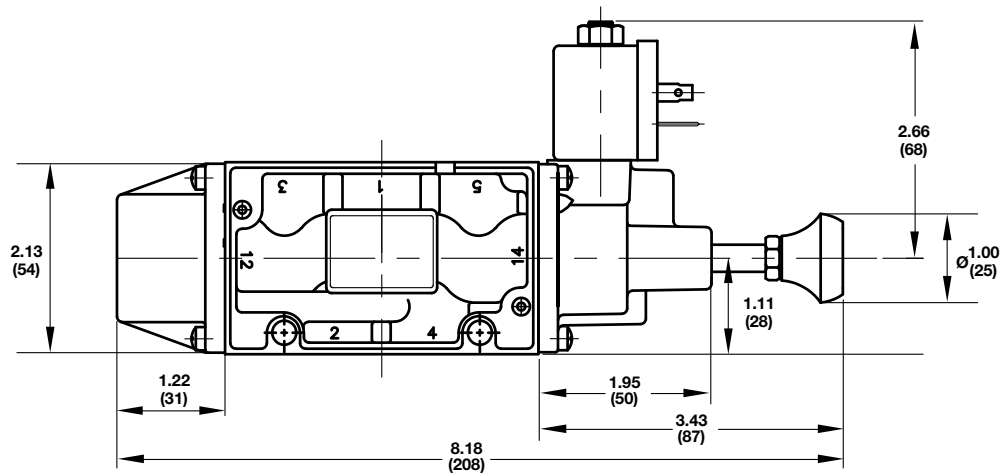
K910038



K910054

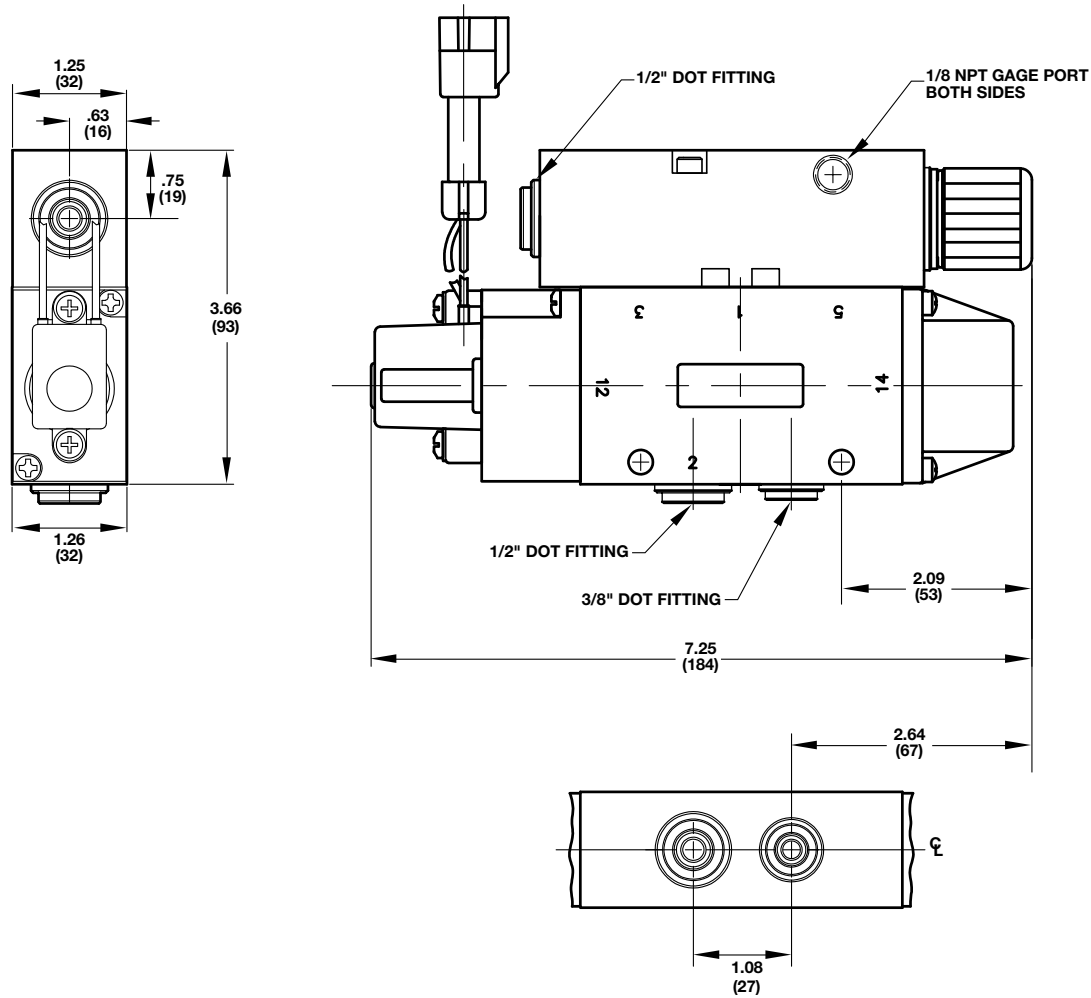


K910147, K910168



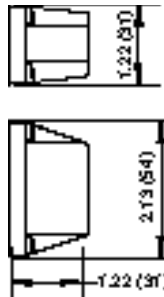
NUGGET 200 SOLENOID & AIR ACTUATED SPOOL VALVE

K990037

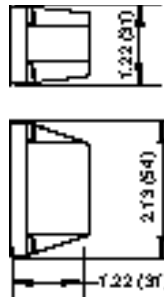


● Specifications for Standard Models

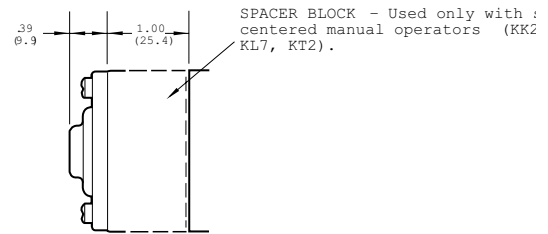
KS1 Spring Return & End Cap



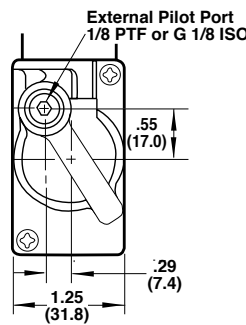
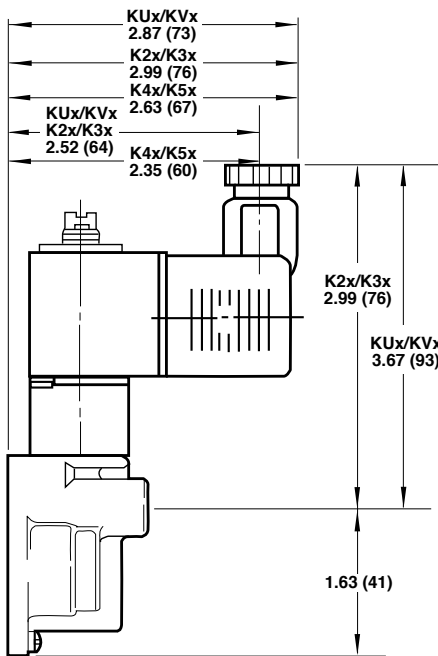
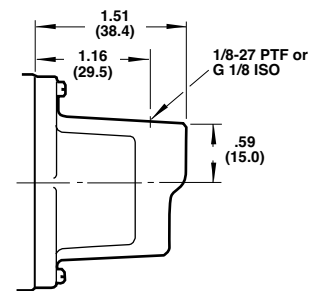
KS6 Spring Return



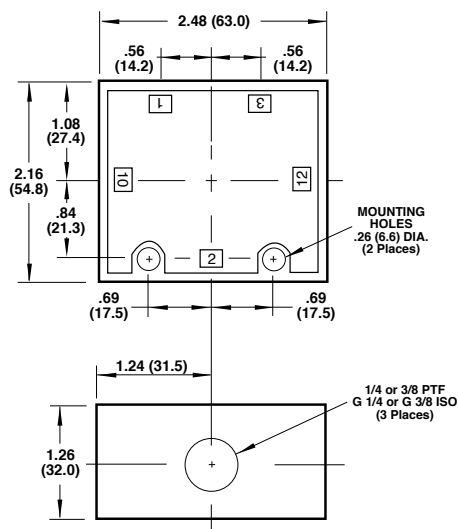
KC0 End Cap



KA2



3-WAY - 1/4" & 3/8" PORTS
K41



4-WAY - 1/4" & 3/8" PORTS
K71 or K81

