

Effective liquid removal and positive solid particle filtration

Large filter element area provides minimum pressure drop

Optional visual service indicator turns from green to red when the filter element needs to be replaced



Technical data

Fluid:

Compressed air, neutral gases

NOTE: Contact technical support for use with other media.

64 Series

Maximum pressure

Metal bowl: 250 psig (17 bar)

Operating temperature*:

Metal bowl:

0° to +175°F (-20° to +80°C)

68 Series

Maximum pressure:

250 psig (17 bar)

Operating temperature*:

0° to +175°F (-20° to +80°C)
* Air supply must be dry enough to avoid ice formation at temperatures below +35°F (+2°C).

Materials

F64G

Body: Zinc

Yoke: Zinc

Metal bowl: aluminum

Standard metal bowl prismatic

liquid level indicator lens: Grilamid

Element: polypropylene

Elastomers: nitrile

F68E

Body: aluminum

Yoke: aluminum

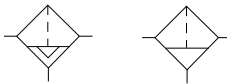
Bowl: aluminum

Liquid level indicator: Pyrex

Element: sintered bronze or polypropylene

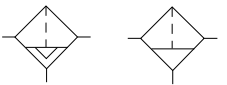
Elastomers: nitrile

F64G Ordering information

ISO Symbol	Port Size	Model auto drain	Model manual drain	Flow† scfm (dm ³ /s)	Weight lb (kg)
 Auto Drain Manual Drain	1/4"	F64G-2AN-AD3	F64G-2AN-MD3	70 (33)	3.13 (1.42)
	3/8"	F64G-3AN-AD3	F64G-3AN-MD3	140 (66)	3.13 (1.42)
	1/2"	F64G-4AN-AD3	F64G-4AN-MD3	159 (75)	2.91 (1.32)
	3/4"	F64G-6AN-AD3	F64G-6AN-MD3	159 (75)	3.79 (1.72)

†Typical flow with 40 µm element at 90 psig (6.3 bar) inlet pressure and a 5 psig (0.35 bar) pressure drop.

F68G Ordering information

ISO Symbol	Port Size	Model auto drain	Model manual drain	Flow† scfm (dm ³ /s)	Weight lb (kg)
 Auto Drain Manual Drain	1/2"	F68G-6AN-AU3	F68G-6AN-MU3	74 (35)	5.25 (2.38)
	3/4"	F68G-8AN-AU3	F68G-8AN-MU3	74 (35)	6.0 (2.72)
	1"	F68G-AAN-AU3	F68G-AAN-MU3	127 (60)	5.86 (2.66)

†Typical flow with 40 µm element at 90 psig (6.3 bar) inlet pressure and a 5 psig (0.35 bar) pressure drop.

Options selector (F64G)

F64G-***-D*

Port size	Substitute
1/4	2
3/8	3
1/2	4
3/4	6
No yoke	N
Threads	Substitute
PTF	A
ISO G parallel	G
No yoke	N
Service indicator	Substitute
No indicator	N
Indicator	D

Element	Substitute
5 µm	1
40 µm	3
Drain	Substitute
Manual	Q
Auto drain	A

Options selector (F68E)

F68G-***-***

Port size	Substitute
3/4	6
1	8
1-1/4	A
1-1/2	B
No yoke	N
Threads	Substitute
PTF	A
ISO G parallel	G
No yoke	N
Service life indicator	Substitute
Without	N
Mechanical	D

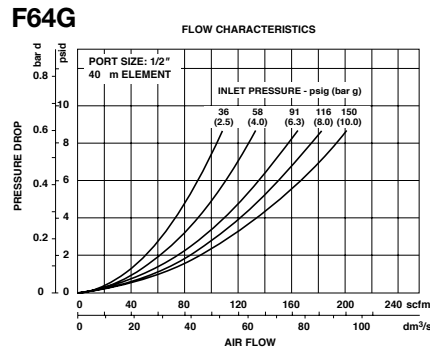
Element	Substitute
5 µm	1
50 µm	3
Bowl	Substitute
1/2 litre	R
1 litre	U
Drain	Substitute
Manual, 1/4 turn	Q
Auto drain	A

Dimensions in inches (mm)

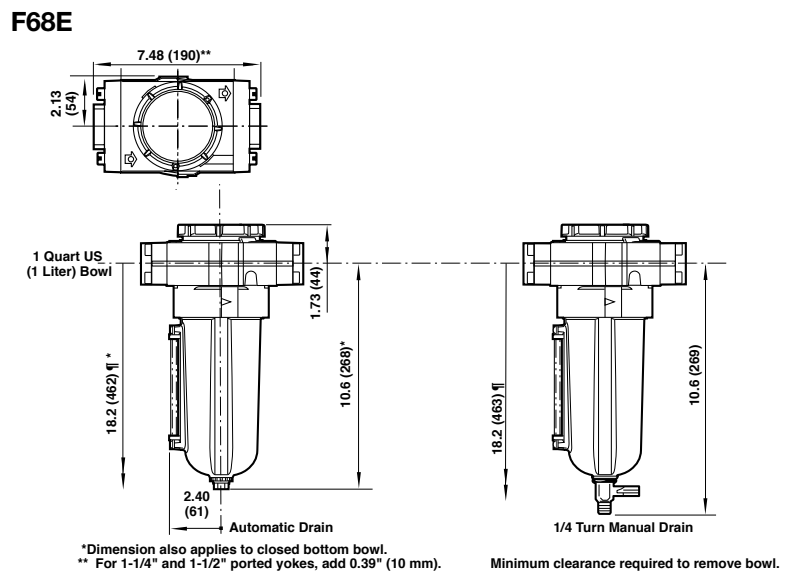
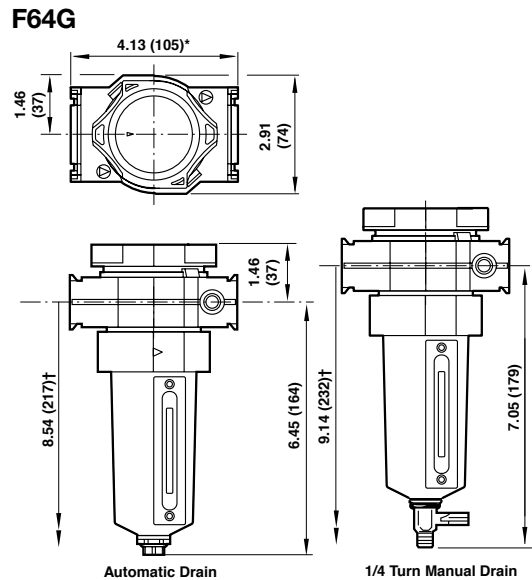
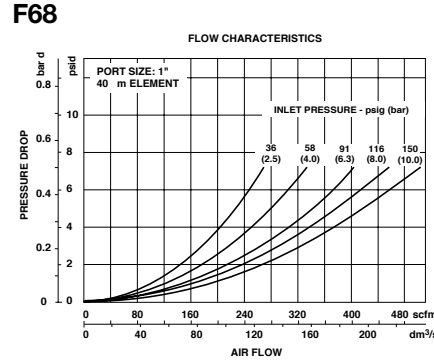
Accessories

	Bracket kit	Bracket kit	3/2 Shut-off valve	Single yoke	Double yoke	Service kit & elements	
F64G	1/4	-	74504-50	T64E-2AB-P1N	Y64A-2AA-N1N	Y64A-2AA-N2N	F64G Seal & gasket 4380-200
	3/8	-	74504-50	T64E-3AB-P1N	Y64A-3AA-N1N	Y64A-3AA-N2N	Filter element 5 µm 4338-01
	1/2	-	74504-50	T64E-4AB-P1N	Y64A-4AA-N1N	Y64A-4AA-N2N	Filter element 40 µm 4338-02
	3/4	-	74504-50	T64E-6AB-P1N	Y64A-6AA-N1N	Y64A-6AA-N2N	F68G Seal & gasket 4380-300
F68G	1/2	18-001-979	-	T68E-4AB-B2N	Y68A-4AN-N1N	Y68A-4AN-N2N	Element 5 µm (1 quart bowl) 5311-01
	3/4	18-001-979	-	T68E-6AB-B2N	Y68A-6AN-N1N	Y68A-6AN-N2N	Element 5 µm (1 quart bowl) 5311-01
	1	18-001-979	-	T68E-8AB-B2N	Y68A-8AN-N1N	Y68A-8AN-N2N	Element 40 µm (1 quart bowl) 5311-03
	1-1/4	18-001-978	-	T68E-AAB-B2N	Y68A-AAN-N1N	Y68A-AAN-N2N	Element 5 µm (1 quart bowl) 5311-01
	1-1/2	-	-	T68E-BAB-B2N	Y68A-BAN-N1N	Y68A-BAN-N2N	Element 40 µm (1 quart bowl) 5311-03

Typical performance characteristics



Typical performance characteristics



* 6.18" (157 mm) for 3/4" models
† Minimum clearance required to remove bowl.

*Dimension also applies to closed bottom bowl.
** For 1-1/4" and 1-1/2" ported yokes, add 0.39" (10 mm).
Minimum clearance required to remove bowl.