

# Pressure Protection Valves (PPV)

## 223 Series

- » Designed to isolate vehicle air systems in case of leakage
- » Protects the integrity of the air supply
- » Convenient in tank mounting
- » Variety of closing pressure options to suit application

## Technical Data

### Operating pressure:

0 to 150 psi  
0 to 10 bar

### Operating temperature:

-40°F to +200°F max.  
-40°C to +93°C max.

## Material

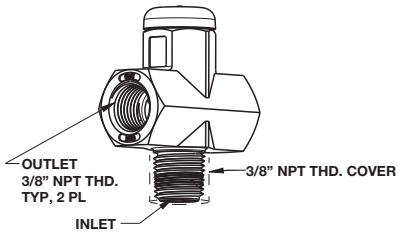
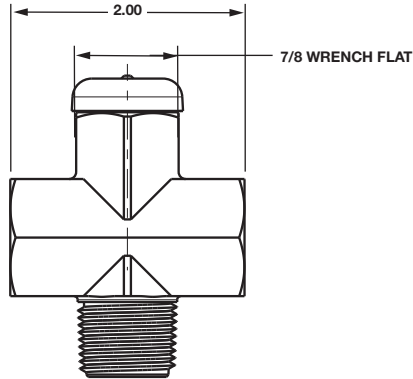
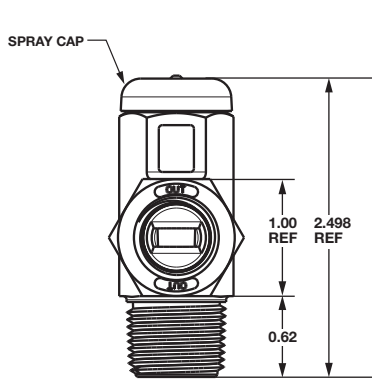
Zamak 3



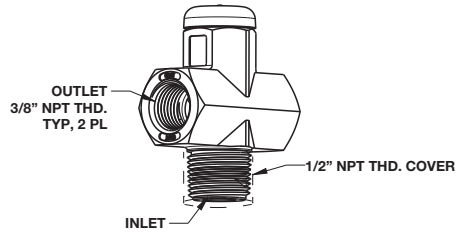
## Models

Model	Open Pressure	Close Pressure	Outlet Thread	Inlet Thread	Vibraseal	Cap Color
223-355V	55	45	3/8" NPT	3/8" NPT	Yes	Black
223-365	65	55	3/8" NPT	3/8" NPT	No	Black
223-375	75	60	3/8" NPT	3/8" NPT	No	Black
223-385	85	67	3/8" NPT	3/8" NPT	No	Red
223-385V	85	67	3/8" NPT	3/8" NPT	Yes	Black
223-455V	55	45	3/8" NPT	1/2" PTF	Yes	Black
223-465	65	55	3/8" NPT	1/2" PTF	No	Black
223-465V	65	55	3/8" NPT	1/2" PTF	Yes	Black
223-485V	85	67	3/8" NPT	1/2" PTF	Yes	Red
223-565	65	55	1/4" NPT	1/2" PTF	No	Black
223-585	100	70	1/4" NPT (port plugged)	1/2" PTF	No	Red
223-585-2	100	70	1/4" NPT	1/2" PTF	No	Red
223-585-2B	85	67	1/4" NPT	1/4" NPT	No	Black
223-585N	85	67	1/4" NPT	1/4" NPT	Yes	Red
223-585NP	85	67	1/4" NPT (port plugged)	1/4" NPT	Yes	Red
223-585T	85	67	1/4" NPT	Internal 1/4" NPT (no nipple)	No	Red
223-685V	85	67	1/4" NPT	3/8" NPT	Yes	Red

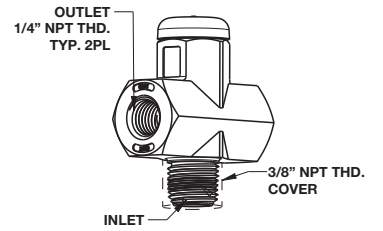
Specifications



-355V, -365, -375, -385 & -385V



-455V, -465, -465V, -485V



-685V

