

Q84G - Standalone Electronic Pressure Sensor Module

Excelon® Plus Modular System

- > Electronic monitoring of secondary pressure
- > 1.44" full color graphic display. Excellent Visual Management.
- > Parameter Adjustment via front screen Buttons or Accessed Via IO Link
- > Configurable switching output
- > Adjustable settings: Setpoint, Tolerance, Hysteresis, Pressure Units, Temperature Units, Screen Orientation, Digital Output Type (NPN, PNP, Push-Pull), Digital Output State (Normally High, Normally Low)
- > Install as a standard digital pressure switch or a pressure transducer with IO Link



Technical features

Medium:

Compressed air only

Maximum supply pressure:

145 psi (10 bar)

Pressure measurement range:

0 ... 145 psi (0 ... 10 bar, 0 ... 1.0 MPa)

Port size:

G3/8, G1/2, G3/4
3/8 PTF, 1/2 PTF, 3/4 PTF

Ambient/Media temperature:

-4 ... +149°F (-20 ... +65°C)

Air supply must be dry enough to avoid ice formation at temperatures below +35°F (+2°C).

Repeatability:

≤ 0.1% of full scale (FS) at stable temperature

Accuracy:

≤ 1.5% of full scale (FS) of detected pressure (+32 ... +122°F, 0 ... +50°C)

Units:

Pressure: bar, psi, MPa
Temperature: °F, °C
Voltage: V

Display:

1.44" full color TFT LCD
Text / background colors:
white/green: pressure in range
white/red: pressure out of range
white/amber: error
black white: setting mode
Display fields:
User configurable identifier, pressure value, pressure units, user configurable message, menu

IO-Link function:

Pressure information
Pressure out of range warnings
Temperature diagnostic
Supply voltage diagnostic
Operating time diagnostic
Min. cycle time:
20ms
Materials:
Body: Die cast aluminum
Body covers: ABS
Elastomers: NBR

For product IODD file please use the online link <http://s.norgren.com/digital-gauge-iodd> for a copy of the Quick Start Guide or comprehensive Operators manual please use the following online link www.norgren.com/excelon-plus

Electrical connection M8 x 1

	Pin-No.	Signal	Cable
	1	L+ (24V)	brown
	2	Out 2 (switching)	white
	3	L- (0V)	blue
	4	C/Q (IO-Link)	black

Electrical connection:

M8 x 1

Power supply:

18 ... 30 V d.c.

Current consumption:

20 mA

Electromagnetic compatibility:

According to EN 61000-6-2;
EN 61000-6-3

Switching output:

Configurable NPN / PNP / Push-Pull / NO/NC/hi-Z

Load current:

100mA with short circuit protection

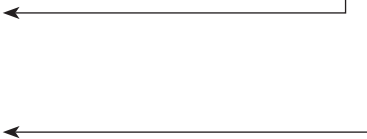
Technical data Q84G

Symbol	Port size (PTF)	Pressure range psi (bar)	Weight lbs (kg)	Model*)
	3/8	0 ... 145 (0 ... 10)	0.79 (0.36)	Q84G-3AN-NNE
	1/2	0 ... 145 (0 ... 10)	0.79 (0.36)	Q84G-4AN-NNE
	3/4	0 ... 145 (0 ... 10)	0.79 (0.36)	Q84G-6AN-NNE

*) All models shown here are supplied with pressure sensor applicable for flow direction left to right. With flow direction right to left please use the online configurator www.norgren.com/air-preparation-configurator or contact IMI Norgren

Option selector
Q84G - ★ ★ N-NNE

Port size	Substitute
G3/8	3
G1/2	4
G3/4	6
Thread form	Substitute
PTF	A
ISO G parallel (standard)	G



Filter/regulator B84G and regulator R84G with integrated pressure sensor
 see data sheet
 us 8.200.350 B84G
 us 8.200.250 R84G


Accessories
Wall mounting bracket

Page 6

840024-50KIT

Quikclamp®

Page 6

840014-51KIT

Quikclamp® with bracket assembled

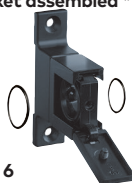
Page 6

840014-52KIT

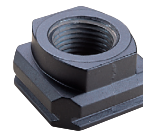
Hybrid Quikclamp® *1

Page 6

840014-61

Hybrid Quikclamp® with bracket assembled *1

Page 6

840014-62

Port Adaptors

Page 7

3/8 PTF 840015-02KIT

1/2 PTF 840015-03KIT

3/4 PTF 840015-04KIT

G3/8 840015-10KIT

G1/2 840015-11KIT

G3/4 840015-12KIT

*1) To connect new Excelon Plus to old Excelon 74/73 units. Having the same hole centers as 74 series mounting bracket.

A Quikclamp adds 13.6 mm to the overall width of a combination unit

Pressure sensing block 1/4 PTF

Page 6

840016-50KIT

Pressure sensing block G1/4

Page 6

840016-51KIT

Accessories

Full flow porting block
3/4" PTF



Page 6

840028-50KIT

Full flow porting block
G3/4



Page 6

840028-53KIT

Full flow porting block
vertical, 3/4" PTF



Page 6

840028-68KIT

Full flow porting block
vertical, G3/4



Page 6

840028-69KIT

IO-Link cables

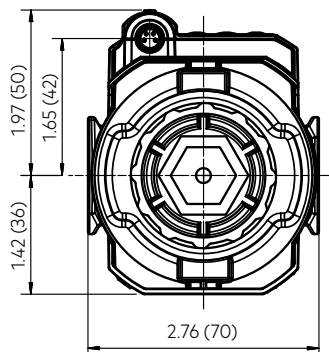
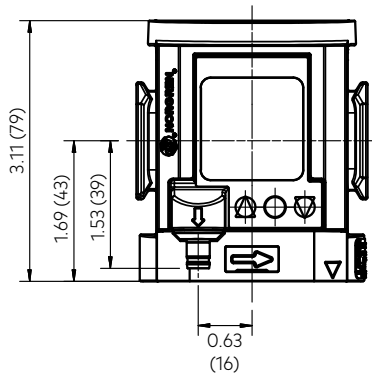
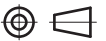
Connection cable M8x1 for integrated digital pressure switch



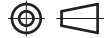
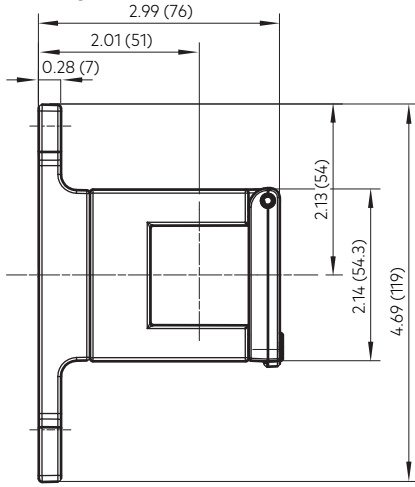
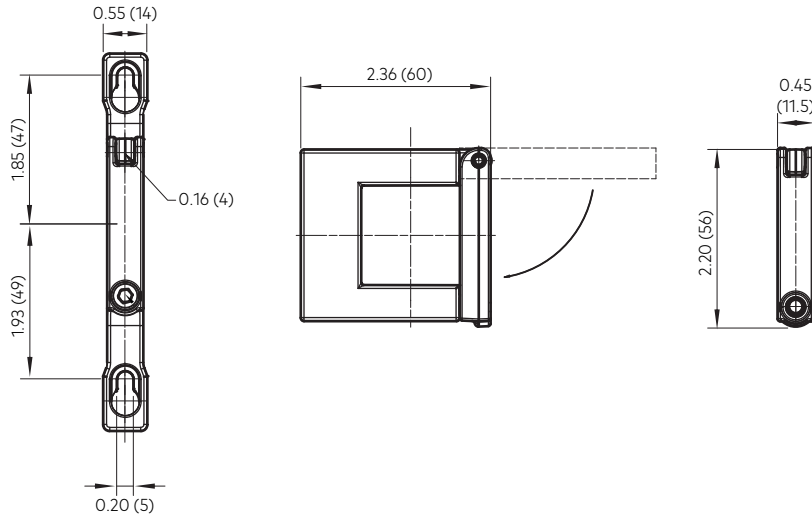
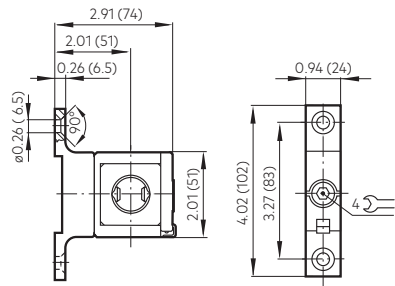
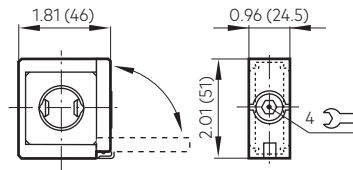
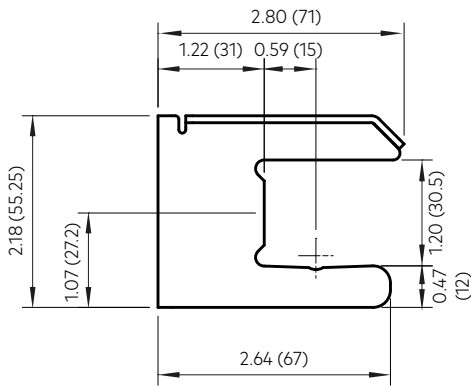
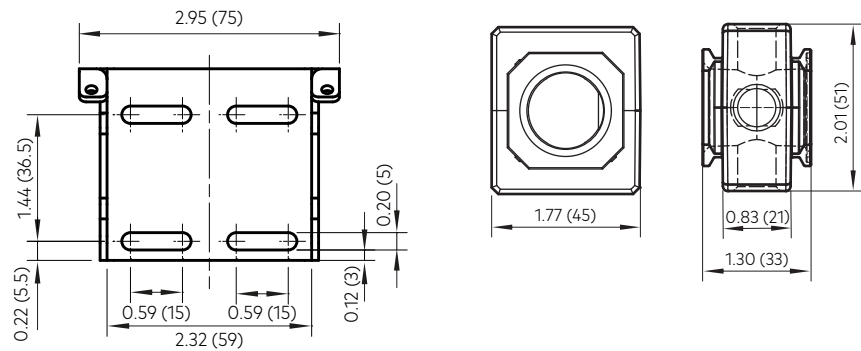
Description	Cable length (m)	Model
M8 female to M12 male	0.6	NC-084FS-124MS-A
	1.0	NC-084FS-124MS-1
	2.0	NC-084FS-124MS-2
	5.0	NC-084FS-124MS-5
M8 female to free end	3.0	NC-084FS-00000-3

Dimensions Q84G

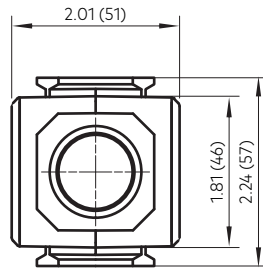
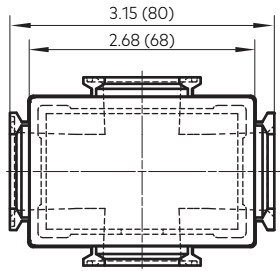
Dimensions in inches (mm)
Projection/Third angle



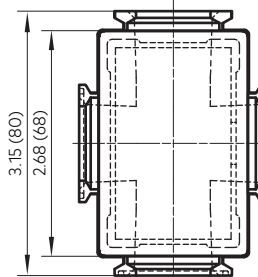
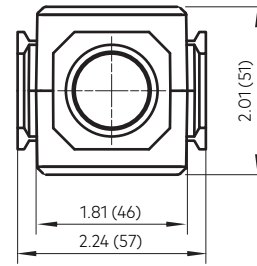
Accessories

 Dimensions in inches (mm)
 Projection/Third angle

Quikclamp® with wall bracket

Quikclamp®

Hybrid-Quikclamp® with wall bracket

Hybrid-Quikclamp®

Mounting bracket

Pressure sensing block


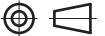
Full flow porting block horizontal



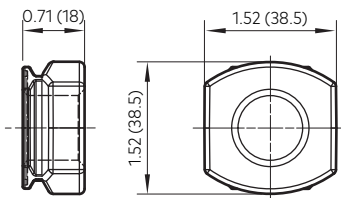
Full flow porting block vertical



Dimensions in inches (mm)
Projection/Third angle



Pipe adaptor



Warning

These products are intended for use in industrial compressed air systems only. Do not use these products where pressures and temperatures can exceed those listed under »**Technical features/data**«.

Before using these products with fluids other than those specified, for non-industrial applications, life-support systems or other applications not within published specifications, consult Norgren Ltd.

Through misuse, age, or malfunction, components used in fluid power systems can fail in various modes.

The system designer is warned to consider the failure modes of all component parts used in fluid power systems and to provide adequate safeguards to prevent personal injury or damage to equipment in the event of such failure.

System designers must provide a warning to end users in the system instructional manual if protection against a failure mode cannot be adequately provided.

System designers and end users are cautioned to review specific warnings found in instruction sheets packed and shipped with these products.