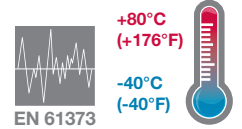


- > Port size: 1/8" & 1/4" (ISO G/NPT)
- > Compact size (low weight) in-line units
- > High flow performance
- > Suitable for panel and wall mounting*
- > Adjustment can be locked
- > Captive regulator needle will not blow out when unscrewed
- > Metered in both directions
- > Wide temperature range
- > Shock and vibration resistant to EN 61373, Category 1, class A and B

* Note: In areas of vibration use of panel mounting is not recommended



Technical features

Medium:

Compressed air, filtered, lubricated or non-lubricated, inert gases

Operation:

Flow regulators (bi-directional)

Operating pressure:

0 ... 10 bar (0 ... 145 psi)

Port size:

G1/8, G1/4, 1/8 NPT, 1/4 NPT

Mounting:

Line mounted

Ambient/Media temperature:

-40 ... +80°C (-40 ... +176°F)

Air supply must be dry enough to avoid ice formation at temperatures below +2°C (+35°F).

Materials:

Body: aluminium alloy (painted)

Seals: low NBR

Internal parts: brass

External parts: aluminium alloy (anodised)

Needle: brass (nickel plated)

Technical data

Symbol	Port size	Maximum regulated flow factor			Operating pressure (bar)	Opening pressure (bar)	Weight (kg)	Model
		C *1)	Cv	Kv *2)				
	G1/8	0,57	0,14	0,12	0 ... 10	< 0,1	0,031	LT1100C1800
	1/8 NPT	0,57	0,14	0,12	0 ... 10	< 0,1	0,031	LT1100A1800
	G1/4	1,3	0,32	0,28	0 ... 10	< 0,1	0,056	LT1100C2800
	1/4 NPT	1,3	0,32	0,28	0 ... 10	< 0,1	0,056	LT1100A2800

*1) Measured in m³/(s. bar)

*2) Measured in m³/h

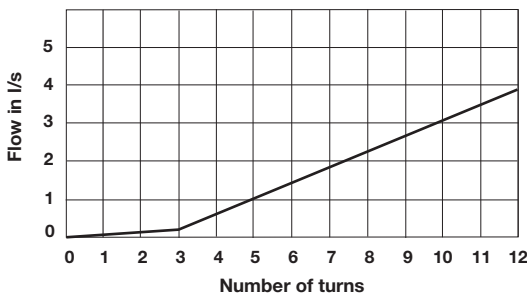
Option selector

LT1100★★★00

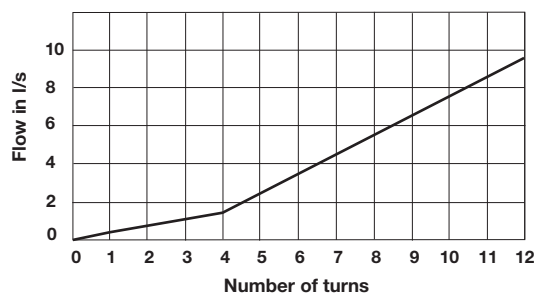
Thread form	Substitute	Port size	Substitute
ISO G, parallel	C	1/8"	18
NPT	A	1/4"	28

Flow vs turns at 6 bar – flow in dm³/s

1/8" version

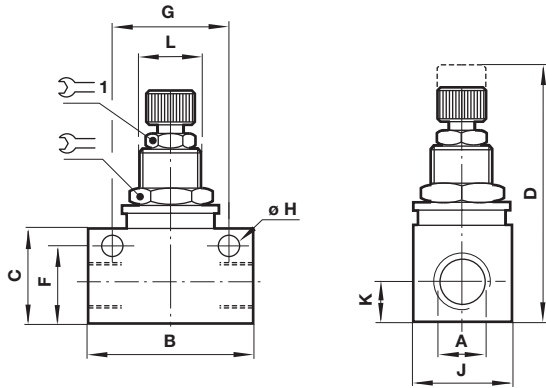




1/4" version



Drawing

Dimensions in mm
Projection/First angle



A	B	C	D	F	G	H	J	K	L		 1	Panel hole	Max. panel thickness	Model
1/8"	34	20	51	16,5	24	4,5	16	8	M12 x 1	14	9	12,5	4	LT1100#1800
1/4"	45	25,4	61,5	20,8	32	4,5	19	9,5	M14 x 1	17	9	14,5	4	LT1100#2800

Please insert 'C' for ISO G and 'A' for NPT thread

Warning

These products are intended for use in industrial compressed air and rail transport systems only. Do not use these products where pressures and temperatures can exceed those listed under

»**Technical features/data**«.

Before using these products with fluids other than those specified, for non-industrial applications, life-support systems or other applications not within published specifications, consult IMI NORGREN.

Through misuse, age, or malfunction, components used in fluid power systems can fail in various modes.

The system designer is warned to consider the failure modes of all component parts used in fluid power systems and to provide adequate safeguards to prevent personal injury or damage to equipment in the event of such failure.

System designers must provide a warning to end users in the system instructional manual if protection against a failure mode cannot be adequately provided.

System designers and end users are cautioned to review specific warnings found in instruction sheets packed and shipped with these products.