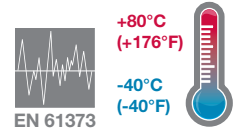


- > Interface version
- > Permit free flow of air in one direction only
- > Simple, reliable design
- > Light weight
- > Wide temperature range
- > Shock and vibration resistant to EN 61373, Category 1, class A and B



Technical features

Medium:

Compressed air, filtered, lubricated and non-lubricated

Operation:

Non-return valves

Operating pressure:

0,2 ... 10 bar (2,9 ... 145 psi)

Cracking pressure:

< 0,2 bar (2,9 psi)

Port sizes:

Interface

Ambient/Media temperature:

-40 ... +80°C max. (-40 ... 176°F)
Air supply must be dry enough to avoid ice formation at temperatures below +2°C (+35°F).

Materials:

Body and valve: Aluminium anodized
Spring: Stainless steel
Plug: Brass
Seals: NBR, FPM

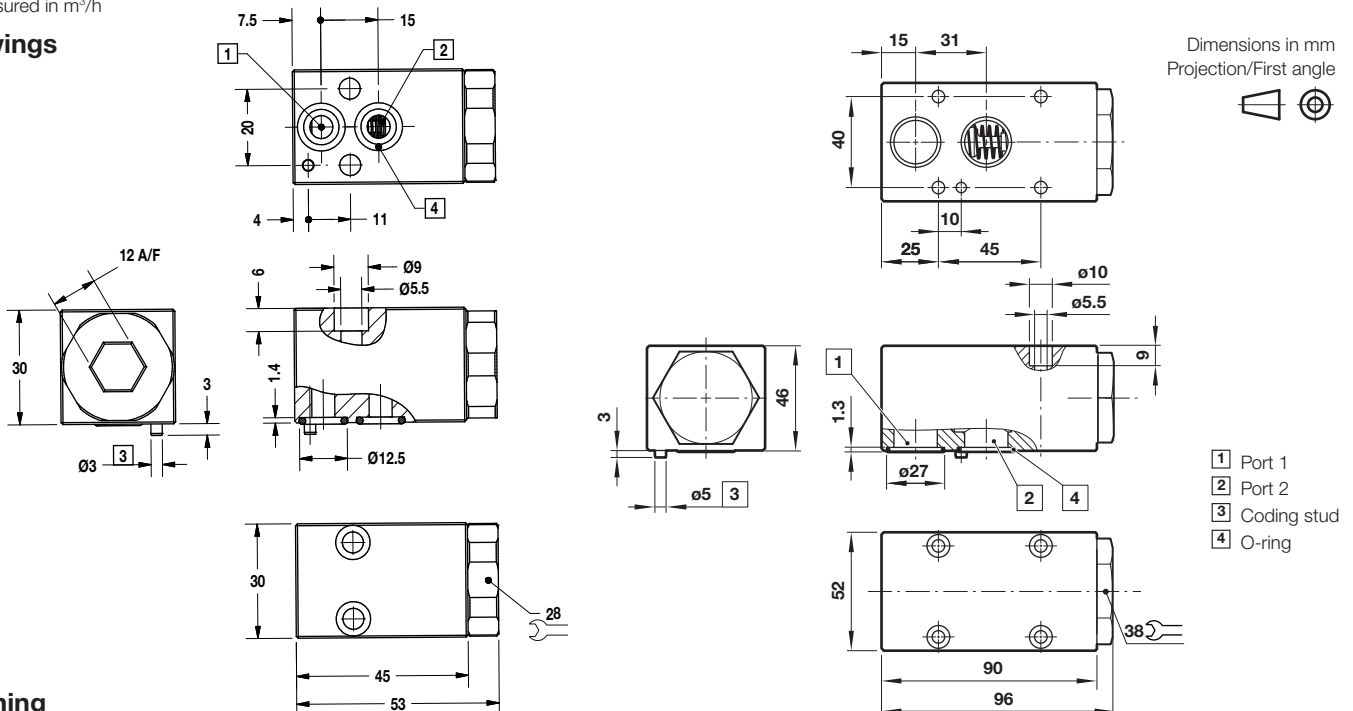
Technical data, standard models

Symbol	Orifice (mm)	Flow factor C *1)	Cv	Kv *2)	Weight (kg)	Model
	6	4,3	1	0,92	0,10	LZ/521
	19	42	10,3	8,95	0,50	LZ/523

*1) Measured in dm³/(s.bar)

*2) Measured in m³/h

Drawings



Warning

These products are intended for use in industrial compressed air and rail transport systems only. Do not use these products where pressures and temperatures can exceed those listed under

»Technical features/data«.

Before using these products with fluids other than those specified, for non-industrial applications, life-support systems or other applications not within published specifications, consult IMI NORGREN.

Through misuse, age, or malfunction, components used in fluid power systems can fail in various modes.

The system designer is warned to consider the failure modes of all component parts used in fluid power systems and to provide adequate safeguards to prevent personal injury or damage to equipment in the event of such failure.

System designers must provide a warning to end users in the system instructional manual if protection against a failure mode cannot be adequately provided.

System designers and end users are cautioned to review specific warnings found in instruction sheets packed and shipped with these products.