

Prospector[®], 3/2 Pilot Actuated Poppet Valves

- > Port size: 1/2" ... 1" (BSPP/PTF)
- > Exceptionally high flow
- > High reliability
- > Durable, robust construction
- > Built-in Repair Kit with reversible seals
- > Solenoid options available upon request
- > Wide temperature range
- > Shock vibration tested to EN 61373, Category 1, class A and B



Technical features

Medium:

Filtered and lubricated or non-lubricated compressed air

Mounting:

Through-holes in valve body

Operating Pressure:

0 ... 20 bar (0 ... 290 psi)

Pilot Pressure:

2.8 bar (40 psi) minimum, or equal to or greater than supply pressure

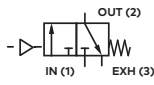
Ambient temperature:

-40 ... +79°C (-40 ... +174°F)
Air supply must be dry enough to avoid ice formation at temperatures below +2°C (+35°F)

Materials:

Body, piston, poppets and sub-base: aluminium alloy
Operators: zinc or aluminium
Elastomers: NBR

Technical data

Symbol	Port size	Pilot port size	Valve size (inch)	Flow (l/min)	Weight (kg)	Model
	1/2 BSPP	1/4 BSPP	1/2	5,717	0,96	VRDA024H-RAJ
	1/2 PTF	1/4 PTF	1/2	5,717	0,96	VRD1024H-RA9
	3/4 BSPP	1/4 BSPP	1/2	6,111	0,96	VRDA025H-RAJ
	3/4 PTF	1/4 PTF	1/2	6,111	0,96	VRD1025H-RA9
	1 BSPP	1/4 BSPP	1	14,391	1,86	VRDA036H-RAA
	1 PTF	1/4 PTF	1	14,391	1,86	VRD1036H-1R

Option selector

VRD★0★★H-RA★

Thread form	Substitute
BSPP	A
PTF	1

Thread form	Substitute
1/2 BSPP & 3/4 BSPP	J
1/2 PTF & 3/4 PTF	9
1 BSPP	A
1 PTF	1

Body size/port size	Substitute
1/2" body/ 1/2" ports	24
1/2" body/ 3/4" ports	25
1" body/ 1" ports	36

Repair Kits

53474-52

Kits contain

Seal between valve body and solenoid and all internal body seals

VRA10**13, 14 & 15
VRB10** 13, 14 & 15
VRD10** 23, 24, 25
VRE10** 24, 25

53475-41

Kits contain

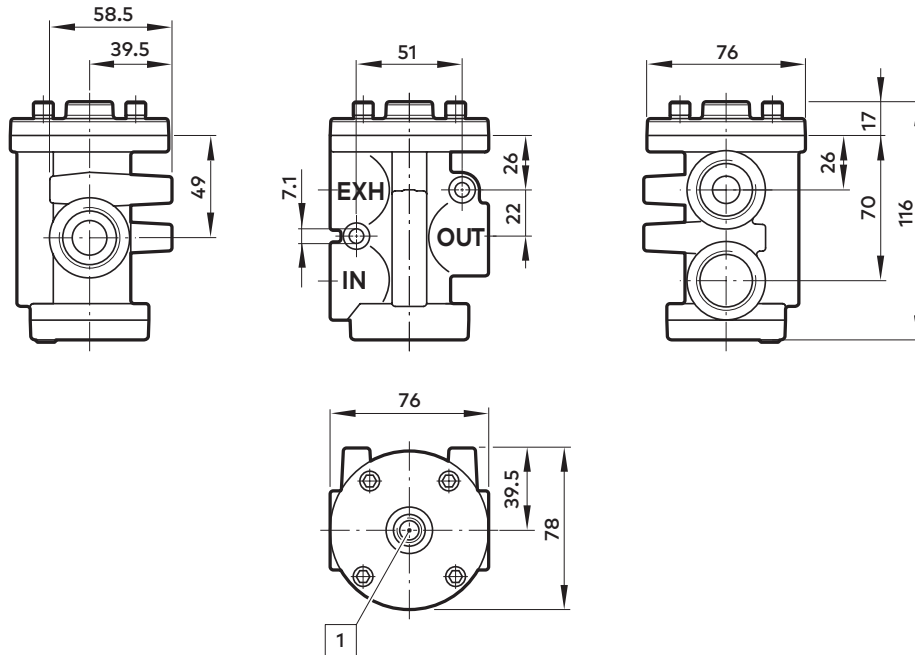
Seal between valve body and solenoid and all internal body seals

VRA1026
VRB1026
VRD1036
VRE1036

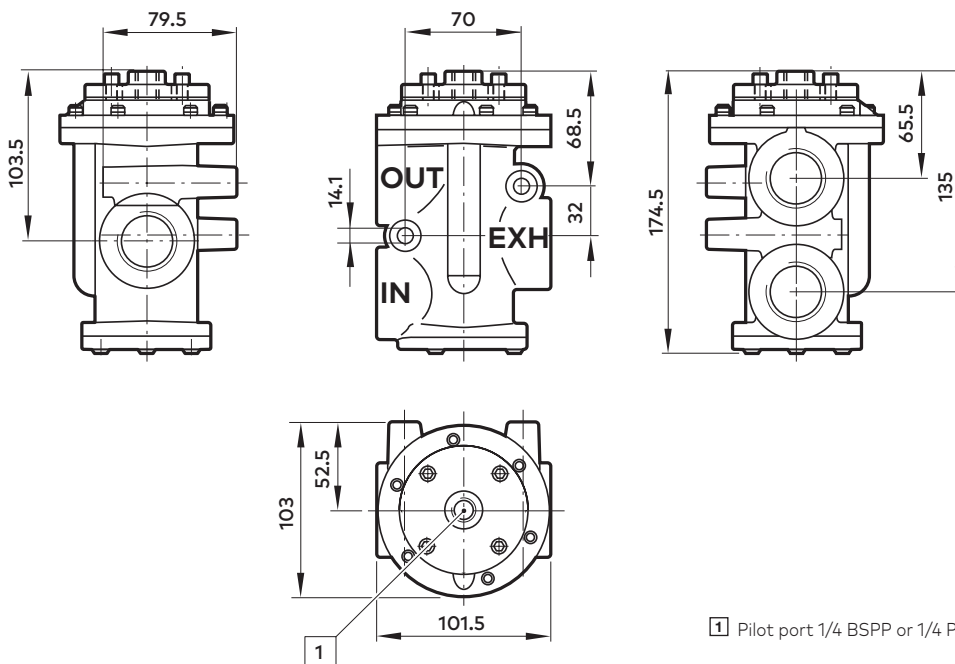


Basic dimensions

1/2" valve size, pilot valve
 Port size: 1/2 or 3/4"



1" valve size, pilot valve
 Port size: 1"



1 Pilot port 1/4 BSPP or 1/4 PTF

Warning

These products are intended for use in industrial compressed air systems only. Do not use these products where pressures and temperatures can exceed those listed under »Technical features/data«. Before using these products with fluids other than those specified, for non-industrial applications, life-support systems or other applications not within published specifications, consult IMI Precision Engineering, Norgren Ltd.

Through misuse, age, or malfunction, components used in fluid power systems can fail in various modes. The system designer is warned to consider the failure modes of all component parts used in fluid power systems and to provide adequate safeguards to prevent personal injury or damage to equipment in the event of such failure.

System designers must provide a warning to end users in the system instructional manual if protection against a failure mode cannot be adequately provided. System designers and end users are cautioned to review specific warnings found in instruction sheets packed and shipped with these products.