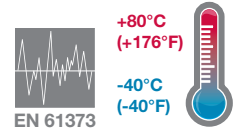


- > **Port size:**
3/8", 1/2" & 3/4"
(ISO G, NPT) or
interface version
- > **The valve fully opens**
when supply pressure
is higher than set point,
otherwise closed
(low hysteresis)
- > **Integrated non-return**
valve as standard
- > **Set point can be**
locked
- > **Wide temperature**
range
- > **Shock and vibration**
tested to EN 61373,
Category 1, class A
and B



Technical features

Medium:

Compressed air

Maximum inlet pressure:

30 bar (435 psi)

Set pressure range:

2 ... 7,5 bar (29 ... 109 psi)

Flow:

2000 l/min at P1 = 8,5 bar
(123 psi),
set pressure = 6,5 bar (94 psi)

Port sizes:

G 3/8, G 1/2 & G 3/4
3/8 NPT, 1/2 NPT & 3/4 NPT

Mounting position:

Optional

Ambient/Media temperature:

-40 ... +80°C (-40 ... +176°F)
Air supply must be dry enough to
avoid ice formation at temperatures
below +2°C (+35 °F)

Materials:

Body: hard anodized aluminium
Bonnet & adjusting screw:
stainless steel 316 (1.4404)
Internal parts: steel, aluminium
Seal: NBR ,VMQ

Technical data, standard model with non-return valve

| Symbol | Port size | Set pressure (bar) | Weight (kg) | Drawing No. | Model * |
|--------|-----------|--------------------------------|-------------|-------------|--------------|
| | G 3/8 | 7,5 + 0,3 bar (109 + 4,35 psi) | 0,913 | 1 | NMPV-P3G-75N |
| | G 1/2 | 7,5 + 0,3 bar (109 + 4,35 psi) | 0,905 | 1 | NMPV-P4G-75N |
| | G 3/4 | 7,5 + 0,3 bar (109 + 4,35 psi) | 0,890 | 1 | NMPV-P6G-75N |
| | 3/8 NPT | 7,5 + 0,3 bar (109 + 4,35 psi) | 0,913 | 1 | NMPV-P3A-75N |
| | 1/2 NPT | 7,5 + 0,3 bar (109 + 4,35 psi) | 0,905 | 1 | NMPV-P4A-75N |
| | 3/4 NPT | 7,5 + 0,3 bar (109 + 4,35 psi) | 0,890 | 1 | NMPV-P6A-75N |
| | Interface | 7,5 + 0,3 bar (109 + 4,35 psi) | 1,230 | 2 | NMPV-ZZZ-75N |

* Please order mounting nut or nut with bracket separately

Option selector

NMPV-★-★-★-★-★-★-★-★

| Interface | Substitute | Non-return option | Substitute |
|-------------------|------------|--------------------------------|------------|
| Inline (standard) | P | With (standard) | N |
| Interface | Z | Without | X |
| Port size | Substitute | Set pressure * | Substitute |
| 3/8" | 3 | No setting | 00 |
| 1/2" | 4 | 6,5 + 0,3 bar (94 + 4,35 psi) | 65 |
| 3/4" | 6 | 6,7 + 0,3 bar (97 + 4,35 psi) | 67 |
| Interface | Z | 7,5 + 0,3 bar (109 + 4,35 psi) | 75 |
| Thread form | Substitute | | |
| ISO G parallel | G | | |
| NPT | A | | |
| Interface | Z | | |

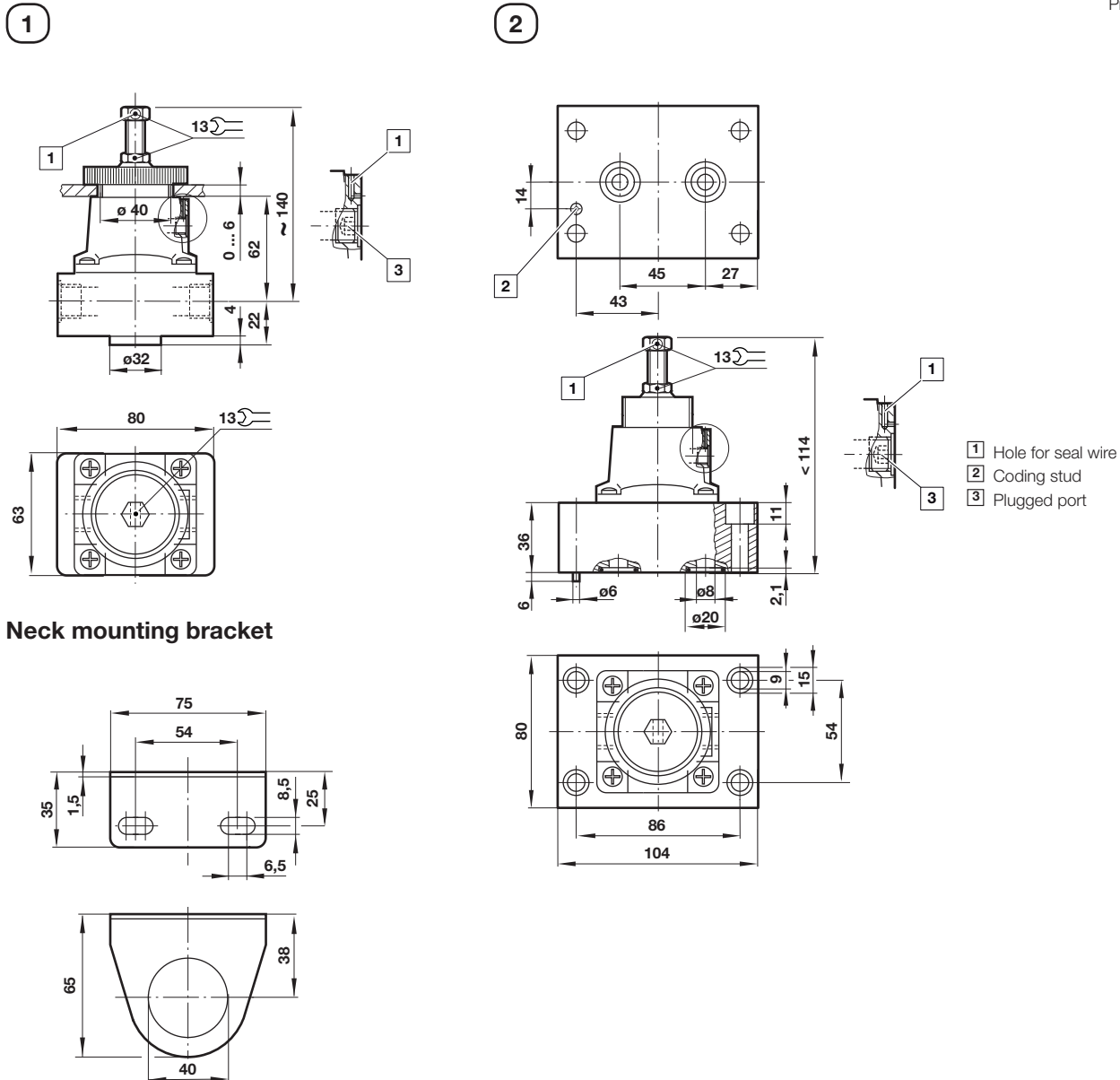
*Other set pressures available on request

Accessories



Dimensions

Dimensions in mm
Projection/First angle



Neck mounting bracket

Warning

These products are intended for use in industrial compressed air and rail transport systems only. Do not use these products where pressures and temperatures can exceed those listed under

»**Technical features/data**«.

Before using these products with fluids other than those specified, for non-industrial applications, life-support systems or other applications not within published specifications, consult IMI NORGREN.

Through misuse, age, or malfunction, components used in fluid power systems can fail in various modes.

The system designer is warned to consider the failure modes of all component parts used in fluid power systems and to provide adequate safeguards to prevent personal injury or damage to equipment in the event of such failure.

System designers must provide a warning to end users in the system instructional manual if protection against a failure mode cannot be adequately provided.

System designers and end users are cautioned to review specific warnings found in instruction sheets packed and shipped with these products.