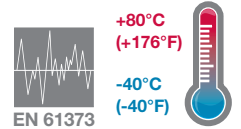


- > Port size: 3/8" ... 3/4" (ISO G/PTF)
- > Coalescing element removes sub-micron particles and converts oil and water mist to liquid form to drain away
- > Standard visual service indicator turns from green to red when the filter element needs to be replaced
- > Quick release bayonet bowl
- > Wide temperature range
- > Shock and vibration tested to EN 61373, Category 1, class A and B



Technical features

Medium:
Compressed air only

Maximum operating pressure:
17 bar (246 psi)

Flow:
See diagrams on page 2

Remaining oil content:
0,01 mg/m³ max at +21°C (+70°F)

Particle removal:
To 0,01 µm

Port sizes:
3/8", 1/2" or 3/4"

Drain:
Manual or automatic

Automatic drain conditions:
Pressure to close drain:
> 0,3 bar (4.3 psi)
Pressure to open drain:
< 0,2 bar (2.9 psi)
Minimum air flow to close drain:
0,6 dm³/s (1.3 scfm)

Service life indicator:
Mechanical standard

Bowl size:
0,2 litre (7 fluid oz)

Ambient/Media temperature:
-40° ... +80°C (-40° ... +176°F)
Air supply must be dry enough to avoid ice formation at temperatures below +2°C (+35°F).

Materials:
Body and yoke: Zinc alloy
Connection piece: Aluminium
Metal bowl: Aluminium
Element: Composite
Prismatic liquid level indicator: Grilamid
Elastomers: Synthetic rubber

Technical data - standard models

| Symbol | Port size | Size | Flow* | | Weight | | Model | |
|--------|--------------|-------|--------------------|------|--------|-------|---------------|---------------|
| | | | dm ³ /s | scfm | (kg) | (lbs) | ISO G thread | PTF thread |
| | 3/8" | — | 28 | 59 | 1,70 | 3.74 | LF64H-3GD-MD0 | LF64H-3AD-MD0 |
| | 1/2" | Basic | 28 | 59 | 1,67 | 3.68 | LF64H-4GD-MD0 | LF64H-4AD-MD0 |
| | 3/4" | — | 28 | 59 | 2,01 | 4.43 | LF64H-6GD-MD0 | LF64H-6AD-MD0 |
| | Without yoke | — | | | | | LF64H-NND-MD0 | LF64H-NND-MD0 |

* Typical flow at 6,3 bar (90 psi) inlet pressure, 40 µm element and 0,5 bar (7 psi) pressure drop.

Option selector

LF64H-★★D-★★0

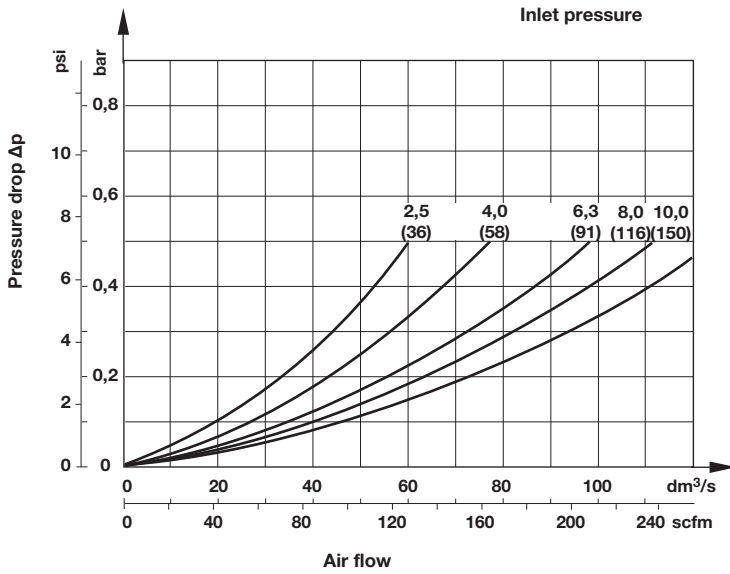
| Port size | Substitute |
|---------------------------|------------|
| 3/8" | 3 |
| 1/2" | 4 |
| 3/4" | 6 |
| Without yoke | N |
| Thread | Substitute |
| PTF | A |
| ISO G parallel (standard) | G |
| Without yoke | N |

| Bowl | Substitute |
|---------------------------------------|--------------|
| Wi h sight glass (standard) | D |
| Wi hout sight glass | M |
| Drain | Substitute |
| Automatic | A *1) |
| Manual, spindle type (standard) | M |
| Open ended (with male thread adaptor) | N |

*1) For temperature range -25 ... 80°C only, shock and vibration, contact Norgren

Flow characteristics

Port size: 1/2"




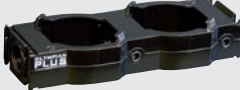


Typical performance characteristics

| Inlet pressure (bar) | Maximum flow * (dm^3/s) | (scfm) |
|----------------------|---|--------|
| 1 | 11,2 | 24 |
| 3 | 19,3 | 41 |
| 5 | 24,9 | 53 |
| 6,3 | 28,0 | 59 |
| 7 | 29,5 | 63 |
| 9 | 33,5 | 71 |




* Maximum flow to maintain stated oil removal performance.

Accessories and service kit



Accessories

| | Models with G-thread Single yoke | Double yoke | End connector kit | Rear entry bracket kit |
|---------------|---|---|---|--|
| |  |  |  |  |
| Thread | 5 | | 2 | 8 |
| G1/4 | Y64A-2GA-N1N | Y64A-2GA-N2N | — | — |
| G3/8 | Y64A-3GA-N1N | Y64A-3GA-N2N | — | — |
| G1/2 | Y64A-4GA-N1N | Y64A-4GA-N2N | 74505-50 | — |
| G3/4 | Y64A-6GA-N1N* | Y64A-6GA-N2N* | 74505-53 | 18-026-981 |
| 1/4 PTF | Y64A-2AA-N1N | Y64A-2AA-N2N | — | — |
| 3/8 PTF | Y64A-3AA-N1N | Y64A-3AA-N2N | — | — |
| 1/2 PTF | Y64A-4AA-N1N | Y64A-4AA-N2N | 74505-52 | — |
| 3/4 PTF | Y64A-6AA-N1N* | Y64A-6AA-N2N* | 74505-55 | — |

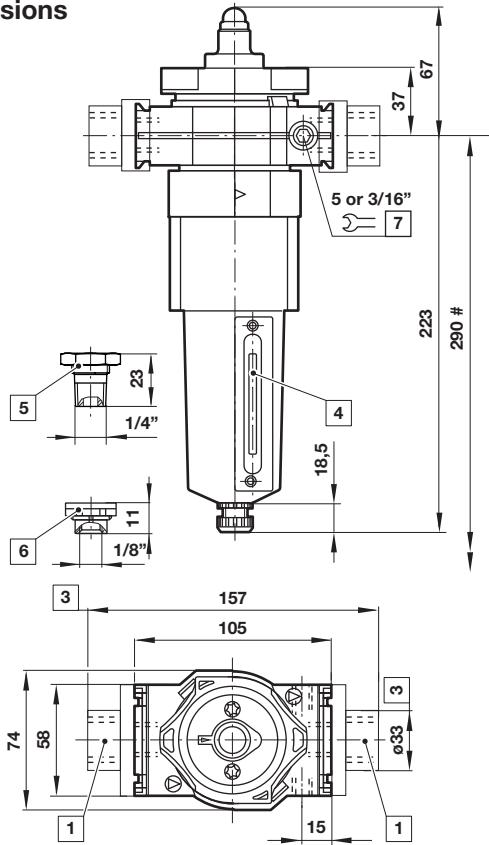
*These yokes are supplied with two end connector kits as standard.

| Bracket mounting | Nut | Yoke connector kit |
|---|---|---|
|  |  |  |
| 1 | 4 | |
| 74504-50 | 74502-89 | 74503-51 |

Service kit

| Service kit Manual drain | Service kit, open ended adaptor | Service kit Automatic drain |
|---|---|---|
|  |  |  |
| LF64H-KITMOC | LF64H-KITNOC | LF64H-KITAOC |

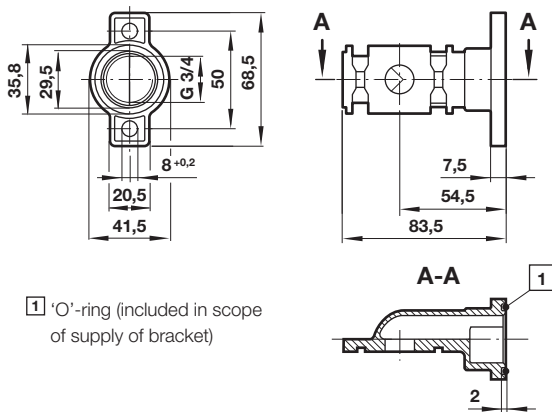
Basic dimensions



Minimum clearance required to remove bowl

- 1 Main ports 1/4", 3/8", 1/2" or 3/4"
- 3 For main ports 3/4" only
- 4 Sight glass
- 5 Open ended adaptor
- 6 Automatic drain (optional)
- 7 Gauge port 1/8"

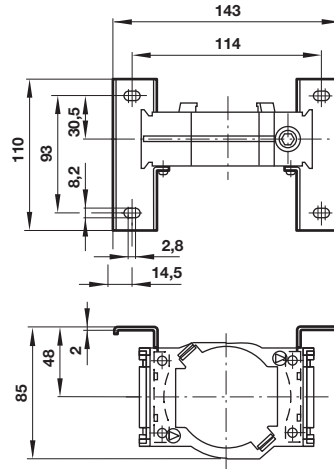
**Rear entry bracket
18-026-981**



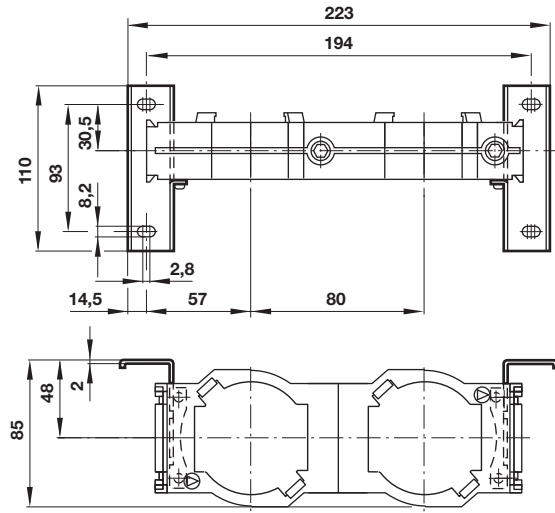
1 'O'-ring (included in scope of supply of bracket)

Single yoke with bracket mounting

Dimensions in mm
Projection/First angle



Double yoke with bracket mounting



Warning

These products are intended for use in industrial compressed air and rail transport systems only. Do not use these products where pressures and temperatures can exceed those listed under

»Technical features/data«.

Before using these products with fluids other than those specified, for non-industrial applications, life-support systems or other applications not within published specifications, consult IMI NORGREN.

Through misuse, age, or malfunction, components used in fluid power systems can fail in various modes.

The system designer is warned to consider the failure modes of all component parts used in fluid power systems and to provide adequate safeguards to prevent personal injury or damage to equipment in the event of such failure.

System designers must provide a warning to end users in the system instructional manual if protection against a failure mode cannot be adequately provided.

System designers and end users are cautioned to review specific warnings found in instruction sheets packed and shipped with these products.