

SOLENOID VALVES

5030 Series

- Robust component parts for use on and around the engine
- Designed for continuous duty in high temperature applications
- Integral Push-To-Connect (PTC) fittings

Technical Data

Operating pressure:
60 to 150 psi (5 to 10 bar)

Operating temperature:
-40°F - 257°F (-40°C - 125°C)
-40°F to 200°F (5030 - 310B)

Operating voltage:
9 to 16 volts

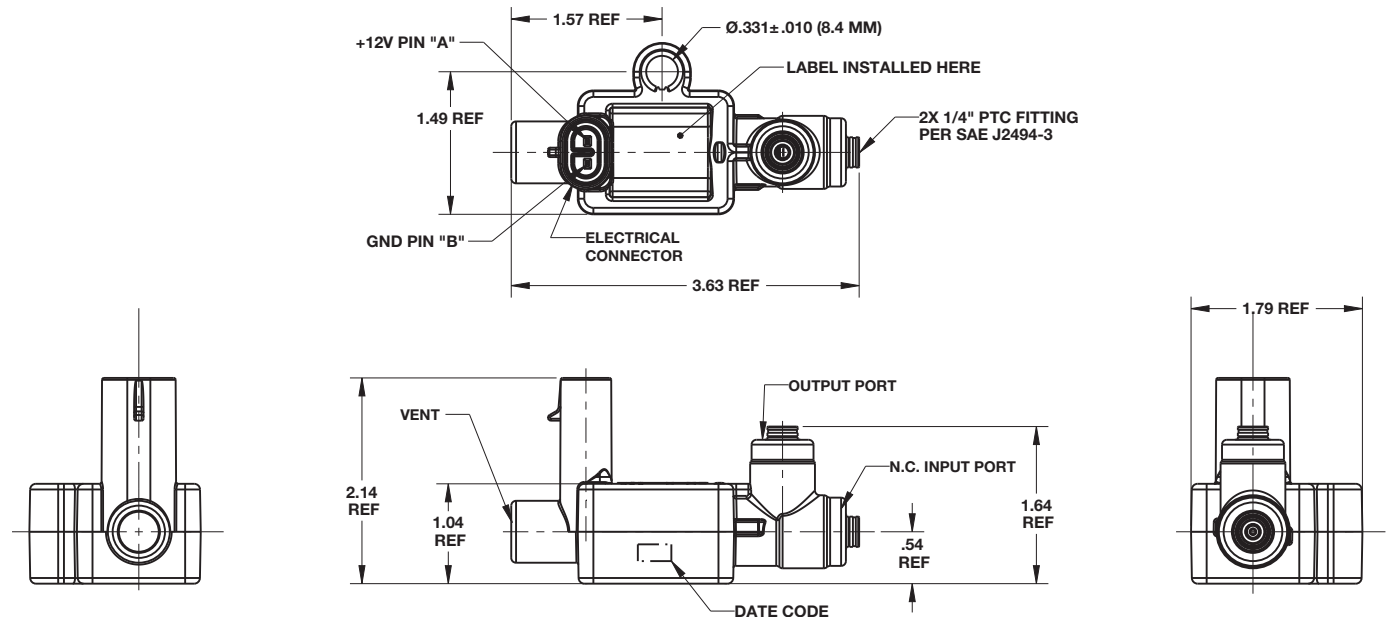


Models

Model	Description	Configuration	Fitting	O/D Tube
5030-111	Solenoid valve, 3-way, ptc fittings	N/C	PTC	1/4"
5030-111-1	Solenoid valve, 3-way, ptc fittings, and bracket	N/C	PTC	1/4"
5030-121A	Solenoid valve, 3-way, nptf hex fittings	N/C	NPTF HEX	1/4"
5030-211	Solenoid valve, 3-way, ptc fittings	N/O	PTC	1/4"
5030-310B	Solenoid, horn valve, 2-way, ptc fittings with jumper	N/C	PTC	1/4"
5030-411A	Solenoid valve, 3-way, resistor suppression and ptc fittings	N/C	PTC	1/4"
5030-451	Solenoid valve, 3-way, resistor suppression wih positional ptc elbow fitting	N/C	PTC Elbow	1/4"
5030-511A	Solenoid valve, 3 way, ptc fittings, resistor suppression	N/O	PTC Elbow	1/4"

Specifications

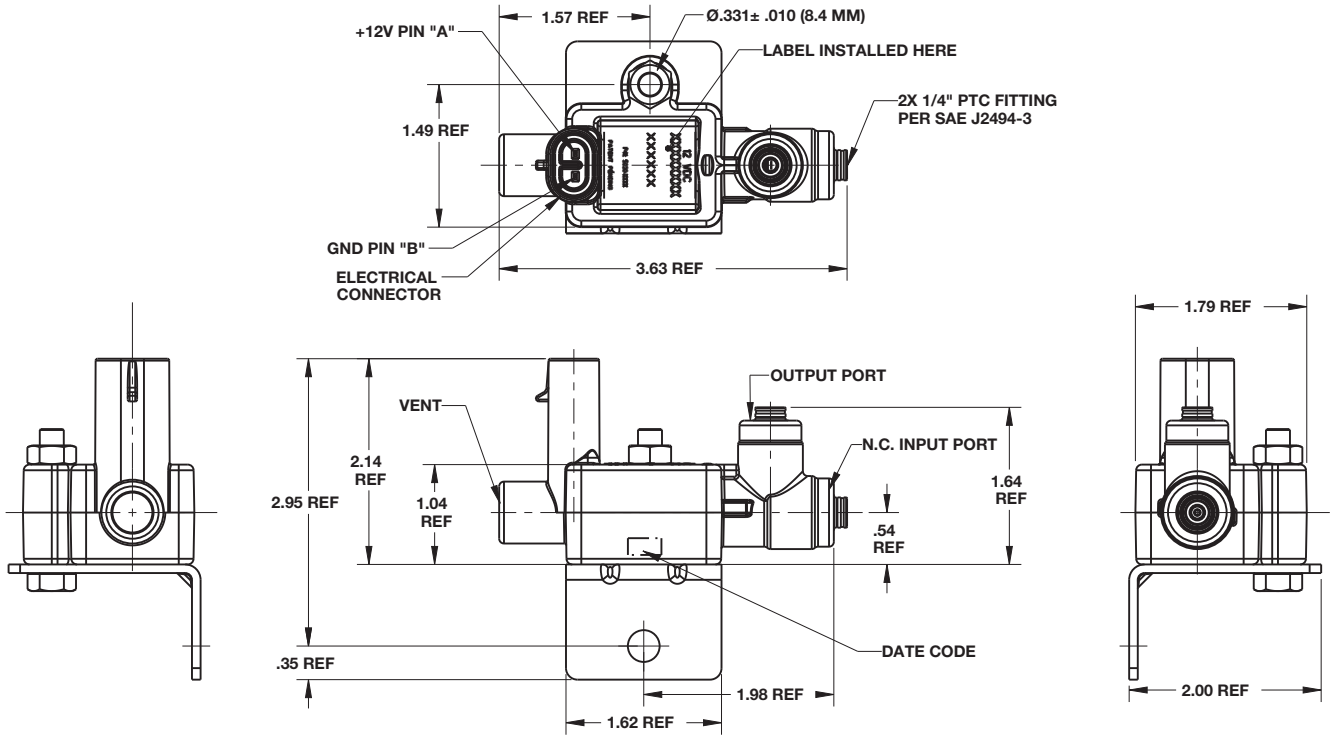
5030-111



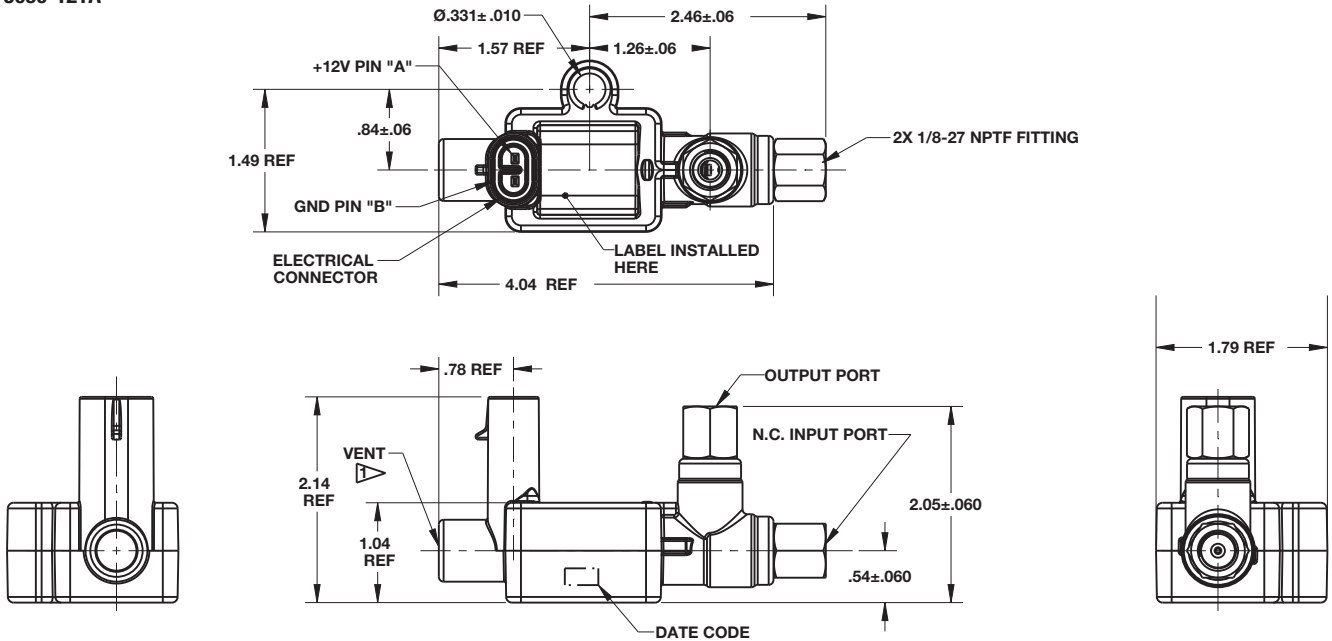
SOLENOID VALVES

5030 Series

5030-111-1



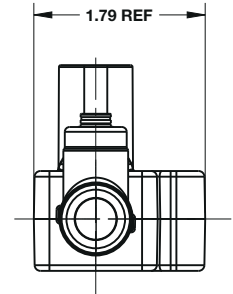
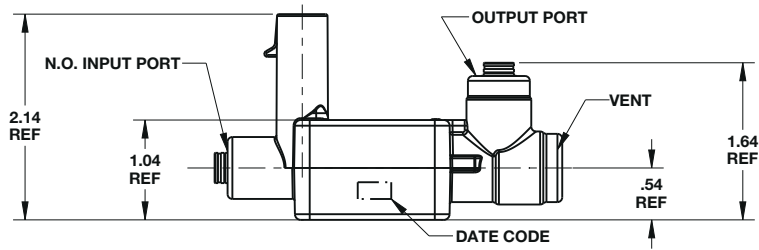
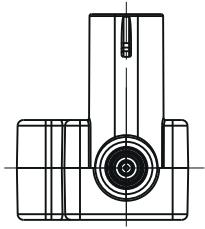
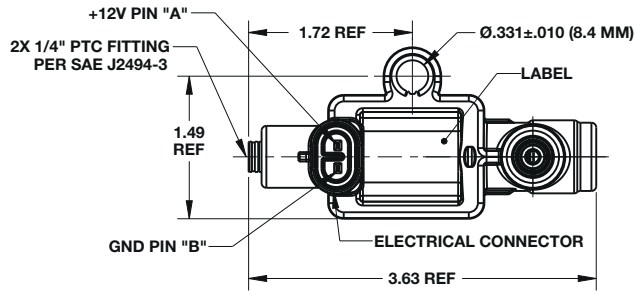
5030-121A



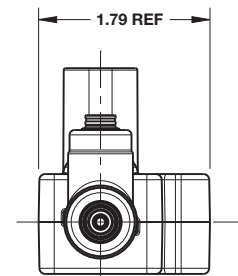
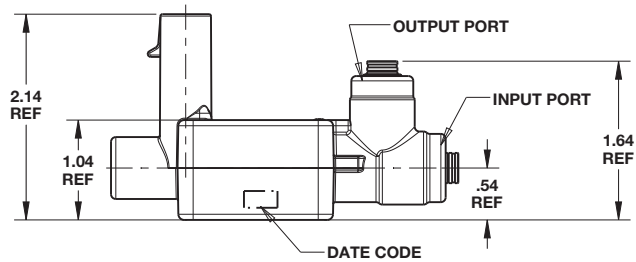
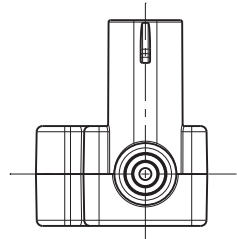
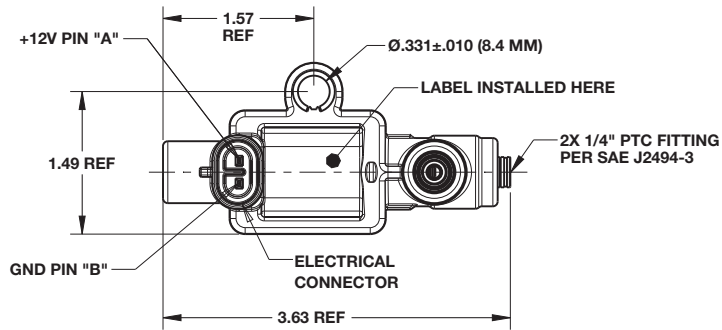
SOLENOID VALVES

5030 Series

5030-211



5030-310B

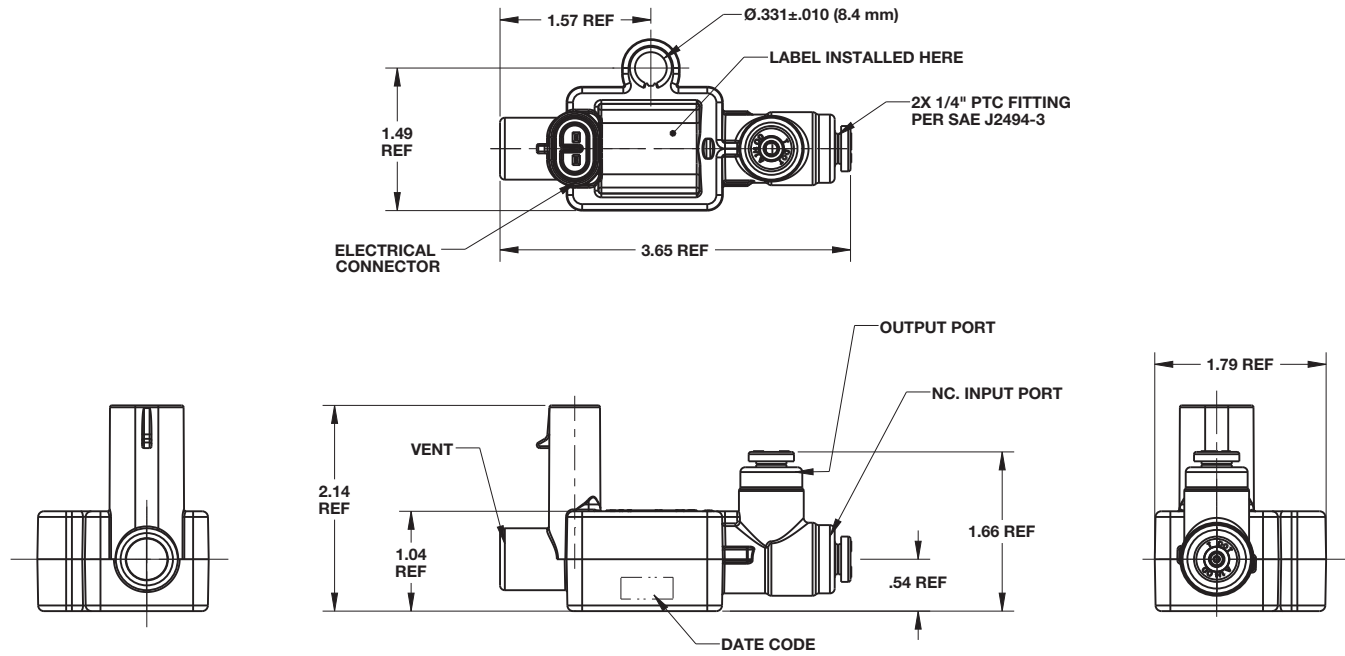


SOLENOID VALVES

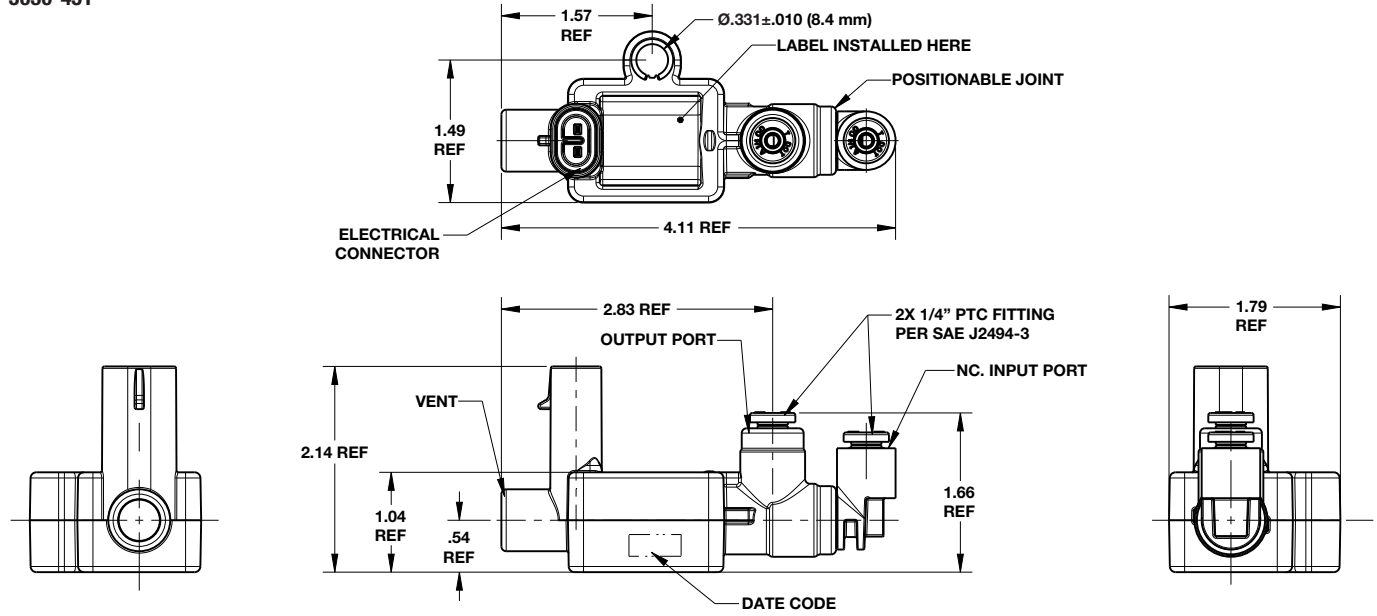
5030 Series

SOLENOIDS VALVES

5030-411A



5030-451



SOLENOID VALVES

5030 Series

5030-511A

