

QM/132

Magnetically operated switch, solid state

- > Magnetically operated switch, solid state - block shape type
- > Particularly suited for use in high levels of vibration
- > Switch with plug
- > LED indicator as standard



Technical features

Operation:

PNP (see table)
Output with LED (yellow)
Normally open

Switching voltage (U_b):

10 ... 30 V d.c.

Voltage drop at output:

< 2,5 V

Residual current:

< 0,5 mA

Switching current (see graph):

200 mA max.

Switching power:

6 W max.

Response time:

< 0,1 ms

Operating frequency:

1 kHz

Protection rating (EN 60529):

IP 66

Responsiveness:

2,8 mT

Hysteresis:

0,5 ... 1,5 mT

Repeatability:

< 0,1 mT

Operating temperature:

-20 ... +80 °C (-4 ... +176 °F)

Cable type:

PVC 3 x 0,5

Cable length:

2, 5 and 10 m

Electromagnetic compatibility

according to:

EN 60947-5-2

Materials:

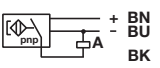
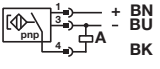
Housing: plastic

Cable: see table below

Mounting type:

not flush mountable

Technical data - Magnetically operated switch, solid state

Symbol	Voltage (V DC)	Current max. (mA)	Function	Operating temperature (°C)	LED	Protection class	Connector	Cable length (m)	Cable type	Weight (g)	Model
	10 ... 30	200	PNP	-20 ... +80	•	IP66	---	2	PVC 3 x 0,5	104	QM/132/2
	10 ... 30	200	PNP	-20 ... +80	•	IP66	---	5	PVC 3 x 0,5	242	QM/132/5
	10 ... 30	200	PNP	-20 ... +80	•	IP66	---	10	PVC 3 x 0,5	472	QM/132/10
	10 ... 30	200	PNP	-20 ... +80	•	IP66	---	5	PUR 3 x 0,5	242	QM/132/5/PU
	10 ... 30	200	PNP	-20 ... +80	•	IP66	M12 x 1			13	QM/132/P

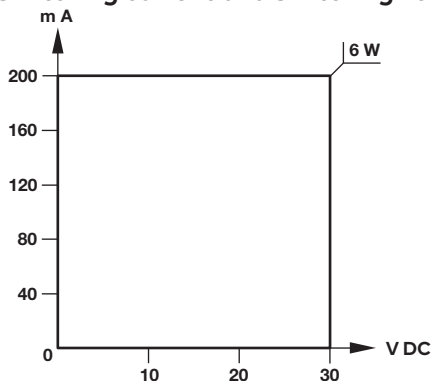
Options selector

QM/132/★/★/★

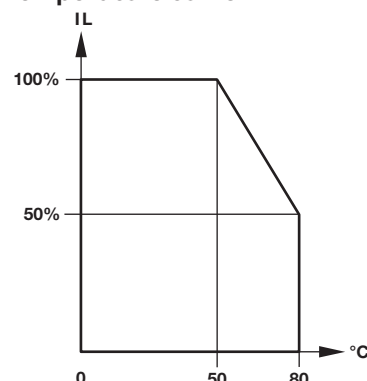
Cable length/connector	Substitute
2 m	2
5 m	5
10 m	10
M12 x 1	P

Cable	Substitute
PVC	-
PUR	PU

Switching current and switching voltage



Temperature curve



Mounting elements for magnetic switches

Cylinder with tie rods
RA/80*000/M, RA/8000/M,
KA/802000/M

Cylinder with tie rods
RM/900/M



Mounting elements

Mounting elements



Cylinder Ø (mm)	Model	Cylinder Ø (inch)	Model
32 ... 63	QM/31/032/22	1 1/4" ... 2 1/2"	QM/31/032/22
80 ... 125	QM/31/080/22	3" ... 5"	QM/31/080/22
160 + 200	QM/31/160/22	6" + 8"	QM/31/160/22
250	QM/31/250/22	10" + 12"	QM/31/320/22
320	QM/31/320/22		

Dimensions see relevant cylinder sheets.

Accessories

Plug-in connector cable with nut



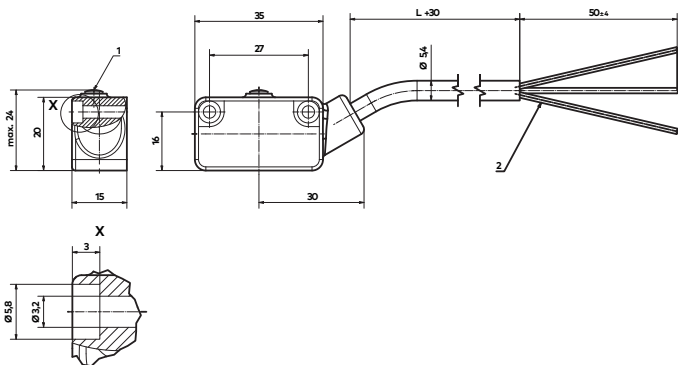
Outer cover	Cable length	Weight (kg)	Connector	Model
PVC 3 x 0,34	5 m	0,182	M12 x 1	M/P34692/5
PUR 3 x 0,34	5 m	0,182	M12 x 1	M/P34594/5

Dimensions

QM/132/*

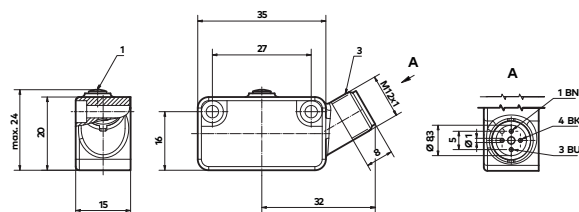
QM/132/5/PU

Cable length L = 2, 5 or 10 m



QM/132/P

Dimensions in mm
Projection/First angle



- 1 LED (yellow)
- 2 Color code:
BK = black (output), BN = brown (+), BU = blue (-)
- 3 Connector M12 x 1; 1 BN = +; 3 BU = -; 4 BK = output

Warning

These products are intended for use in industrial compressed air systems only. Do not use these products where pressures and temperatures can exceed those listed under »Technical features/data«.

Before using these products with fluids other than those specified, for non-industrial applications, life-support systems or other applications not within published specifications, consult Norgren Ltd.

Through misuse, age, or malfunction, components used in fluid power systems can fail in various modes.

The system designer is warned to consider the failure modes of all component parts used in fluid power systems and to provide adequate safeguards to prevent personal injury or damage to equipment in the event of such failure.

System designers must provide a warning to end users in the system instructional manual if protection against a failure mode cannot be adequately provided.

System designers and end users are cautioned to review specific warnings found in instruction sheets packed and shipped with these products.