

102GB

Pressure reduction valve



- > Port size: 1/8 ... 1/2"
- > Thread form: ISO G
- > Compact units
- > System running cost savings by optimising cylinder pressure
- > Designed for mounting on valves
- > Relief feature to protect against over pressure



Technical features

Medium:

Compressed air

Operation:

It is often necessary to provide a secondary reduced pressure to an actuator to control its operating force. A pressure reducing fitting provides this function, which can be manually adjusted to the required pressure level.

The relieving function gives a safety feature satisfying EN983 (Safety of Machinery) regarding protection under external loads. This states that a means shall be provided to prevent unacceptable pressure build-up where high external loads are reflected on actuators.

Operating pressure:

1... 16 bar (14 ... 232 psi) (primary)

1 ... 8 bar (14 116 psi) (secondary)

Thread size:

G1/8, G1/4, G3/8, G1/2

Ambient/Media temperature:

-10°C ... +70°C (+14 ... +158°F)

Air supply must be dry enough to avoid ice formation at temperatures below +2°C (+35°F).

Materials:

Banjo body: Aluminium

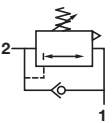
Retaining ring: PA

Banjo bolt and valve:

Brass - zinc plated

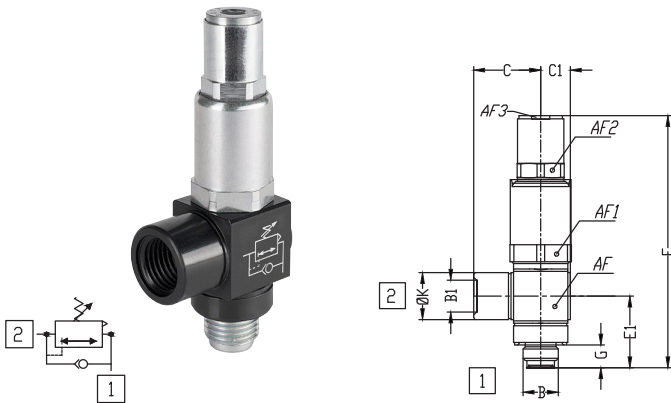
Washer: NBR

Technical data

Symbol	Port size 1	Port size 2	Model
	G1/8	G1/8	102GB1818
	G1/4	G1/4	102GB2828
	G3/8	G3/8	102GB3838
	G1/2	G1/2	102GB4848

Dimensions

Dimensions in mm
Projection/First angle



B	B1	C	C1	E	E1	G	ØK	AF	AF1	AF2	AF3	Weight (g)	Model
G1/8	G1/8	18.5	8.4	70	19.8	6.3	13	15	17	13	5	57	102GB1818
G1/4	G1/4	22.5	10.4	78	25.8	9.5	18	19	17	13	5	76	102GB2828
G3/8	G3/8	28.5	12.5	85.7	29	9.7	23	23	23	17	6	132	102GB3838
G1/2	G1/2	31	15.3	86.7	32	9.5	25	28	27	17	6	181	102GB4848

Warning

These products are intended for use in industrial compressed air systems only. Do not use these products where pressures and temperatures can exceed those listed under »**Technical features/data**«.

Before using these products with fluids other than those specified, for non-industrial applications, life-support systems or other applications not within published specifications, consult Norgren Ltd.

Through misuse, age, or malfunction, components used in fluid power systems can fail in various modes.

The system designer is warned to consider the failure modes of all component parts used in fluid power systems and to provide adequate safeguards to prevent personal injury or damage to equipment in the event of such failure.

System designers must provide a warning to end users in the system instructional manual if protection against a failure mode cannot be adequately provided.

System designers and end users are cautioned to review specific warnings found in instruction sheets packed and shipped with these products.