

- > Port size: DN 15 ... 50, G1/2 ... 2
- > Suitable for steam
- > Can be used as Y-pattern/selector valve (pressure connected to A)
- > High flow rate
- > International approvals



### Technical features

**Medium:**

Neutral gases and liquids

**Pilot fluid:**

Neutral gases max. +60°C (+140°F)

**Switching function:**

Normally closed from P to A, opened from P to A by pilot pressure

**Operation:**

Pressure actuated by external fluid

**Mounting position:**

Optional

**Flow direction:**

Determined

**Port size:**

G1/2, G3/4, G1, G1 1/4, G1 1/2, G2

**Pilot connection:**

G1/4

**Operating pressure:**

0 ... 10/16 bar (0 ... 145/232 psi)

**Pilot pressure:**

5,5 ... 7 bar (80 ... 98 psi)

**Fluid temperature:**

-10 ... +180°C (+14 ... +356°F)

**Ambient temperature:**

max. +60°C (+140°F)

**Material:**

Process fluid characteristics:

Body: Gun metal

Seat seal: PTFE

Internal parts: Stainless steel, Brass

Spindle sealing: PTFE / EPDM

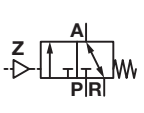
Pilot fluid characteristics:

Body: Aluminium

Seal: NBR

Internal parts: Brass, Stainless steel

### Technical data – standard models

Symbol	Port size	Orifice (mm)	Flow kv value *1) (m³/h)		Operating pressure *2)		Weight (kg)	Model
			Way P>A	Way A>R	(bar)	(psi)		
	G1/2	15	5,8	3	0 ... 16	0 ... 232	1,6	8325200.0000.00000
	G3/4	20	11,5	7	0 ... 16	0 ... 232	1,8	8325300.0000.00000
	G1	25	18	12,5	0 ... 10	0 ... 145	2,1	8325400.0000.00000
	G1 1/4	32	25	15	0 ... 16	0 ... 232	6,6	8325500.0000.00000
	G1 1/2	40	39	27	0 ... 14	0 ... 203	6,8	8325600.0000.00000
	G2	50	64	43	0 ... 10	0 ... 145	7,9	8325700.0000.00000

\*1) Cv-value (US) ≈ kv value x 1,2

\*2) For gases and liquid fluids up to 400 mm²/s (cSt)

Option selector

8325\*\*\*.0000.00000

Port size	Substitute
1/2"	2
3/4"	3
1"	4
1 1/4"	5
1 1/2"	6
2"	7

Valve options	Substitute
Electrical position indicator a.c./d.c.	57
Electrical position indicator only d.c. max. 30 V	58
Electrical position indicator EEx de IIC T6	64

3/2-way pilot valve

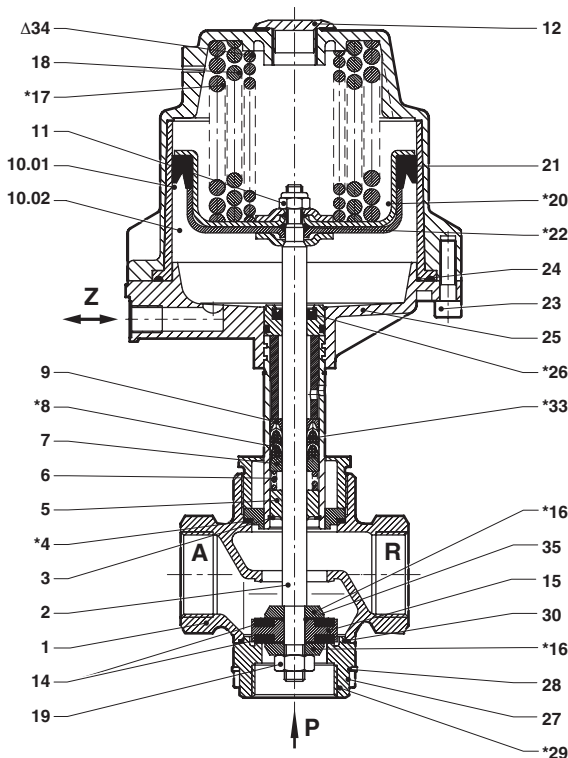
An electrical solenoid valve can be attached at the pilot connection Z.

Required parts	Model
3/2-way solenoid valve	8466000.9101.xxxx (d.c.) 8466000.9101.xxxx (a.c.)

Further versions on request!

Section View

G1/2 ... 2

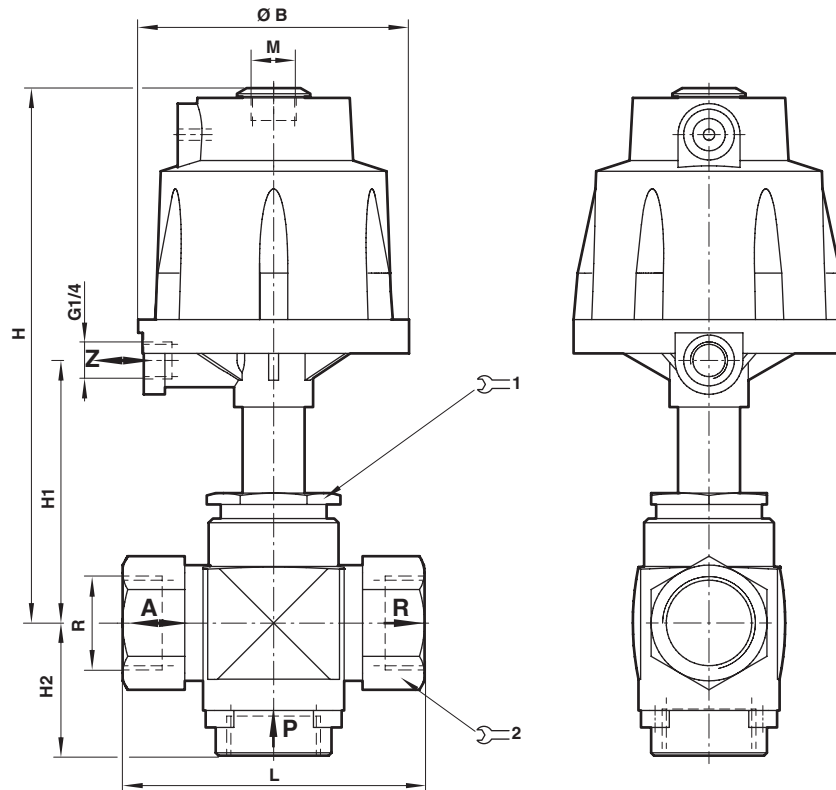


No.	Description
1	Valve body
2	Spindle assembly
3	Locking ring
*4	Flat seal ring
5	Bushing
6	Pressure spring
7	Supporting ring
*8	Sleeve
9	Compression ring
10.1	Cover
10.02	Piston bushing
11	Lock nut
12	Protective cap
14	Gasket
15	Valve plate
*16	Valve plate
*17	Pressure spring

No.	Description
18	Pressure spring
19	Lock nut with spring
*20	Piston assembly
21	Lip seal
*22	O-ring
23	Screw
24	O-ring
25	Bottom assembly
*26	Lip seal
27	Screw
28	Spring washer
*29	Seat flange
30	Gasket
*33	Sleeve
Δ34	Pressure spring (for DN 50 only)
35	O-ring

\* These individual parts form a complete wearing unit.  
When ordering spare parts please state Cat. No. and Series No.

**Dimensions**
**G1/2 ... 2**

 Dimensions in mm  
 Projection/First angle


Port size R	ø B	H	H1	H2	L	M	1	2	Model
G1/2	96	186	88	41	75	M16 x 1	36	27	8325200.0000.00000
G3/4	96	190	92	46	87	M16 x 1	36	32	8325300.0000.00000
G1	96	190	92	47	107	M16 x 1	41	41	8325400.0000.00000
G1 1/4	164	269	125	66	123	M22 x 1,5	55	50	8325500.0000.00000
G1 1/2	164	269	125	68	147	M22 x 1,5	55	58	8325600.0000.00000
G2	164	273	129	74	171	M22 x 1,5	55	70	8325700.0000.00000

**Note to Pressure Equipment Directive (PED):**

The valves of this series up to and including DN 25 (G1) are according to Art. 4 § 3 of the Pressure Equipment Directive (PED) 2014/68/EU. This means interpretation and production are in accordance to engineers practice wellknown in the member countries. The CE-sign at the valve does not refer to the PED. Thus the declaration of conformity is not longer applicable for this directive.

**For valves > DN 25 (G1) Art. 4 § (1) Letter d) applies:**

The basic requirements of the Enclosure I of the PED must be fulfilled. The CE-sign at the valve includes the PED. A certificate of conformity of this directive will be available on request.

**Note to Electromagnetic Compatibility Guideline (EEC):**

The valves shall be provided with an electrical circuit which ensures the limits of the harmonised standards EN 61000-6-3 and EN 61000-6-1 are observed, and hence the requirements of the Electromagnetic Compatibility Guideline (2014/30/EU) satisfield.

**Note to EAC marking:**

The EAC-marked products comply with the applicable requirements stated in the technical regulations of the Eurasian Economic Union.