

- > Port size: DN 2 ... 10, G1/8 ... 1/2 (ISO G/NPT)
- > Compact miniature actuator ø 30 mm
- > Actuator may be rotated 360°
- > Suitable for contaminated process fluid
- > Suitable for vacuum up to max. 90%
- > Reversed flow direction optional
- > High flow rate
- > Valve operates without pressure differential
- > Clip angle M5 standard
- > International approvals



Technical features

Medium:

Neutral, aggressive gases and liquids up to 600 mm²/s

Pilot fluid:

Neutral gases max. +60°C (+140°F)

Switching function:

Normally closed

Operation:

Pressure actuated by external fluid

Mounting position:

Optional

Flow direction:

Determined

Port size:

G1/8, G1/4, G3/8, G1/2, 1/8 NPT, 1/4 NPT, 3/8 NPT, 1/2 NPT

Pilot port:

M5

Operating pressure:

0 ... 25 bar (0 ... 362 psi)

Pilot pressure:

4 ... 10 bar (58 ... 145 psi)

Fluid temperature:

-10° ... +90°C (+14° ... +194°F)

Ambient temperature:

-10° ... +60°C (+14° ... +140°F)

Material:

Flow fluid range:

Body: Brass (CW617N)

Seals: NBR

Seat seal: PTFE

Internal parts: Stainless steel/Brass

Seal packing: PTFE/NBR

self-adjustable

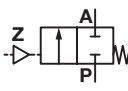
Pilot fluid range:

Body: Stainless steel (1.4404)

Seals: NBR

Internal parts: Stainless steel/Brass

Technical data - standard models

Symbol	Port size	Orifice (mm)	Pilot pressure (bar)	Flow kv value *1) (m ³ /h)	Operating pressure *2) (bar)	(psi)	Weight (kg)	Model
	G1/8	2	4 ... 10	0,12	0 ... 25	0 ... 362	0,35	8418800.0000.00000
	1/8 NPT	2	4 ... 10	0,12	0 ... 25	0 ... 362	0,35	8438800.0000.00000
	G1/4	4	4 ... 10	0,35	0 ... 25	0 ... 362	0,33	8418020.0000.00000
	1/4 NPT	4	4 ... 10	0,35	0 ... 25	0 ... 362	0,33	8438020.0000.00000
	G3/8	6	4 ... 10	0,6	0 ... 20	0 ... 290	0,32	8418140.0000.00000
	3/8 NPT	6	4 ... 10	0,6	0 ... 20	0 ... 290	0,32	8438140.0000.00000
	G1/2	10	4 ... 10	1,8	0 ... 8	0 ... 116	0,47	8418260.0000.00000
	1/2 NPT	10	4 ... 10	1,8	0 ... 8	0 ... 116	0,47	8438260.0000.00000

*1) Cv-value (US) ≈ kv value x 1,2

*2) For gases and liquid fluids up to 600 mm²/s (cSt)

Option selector

84***.***.0000.00000

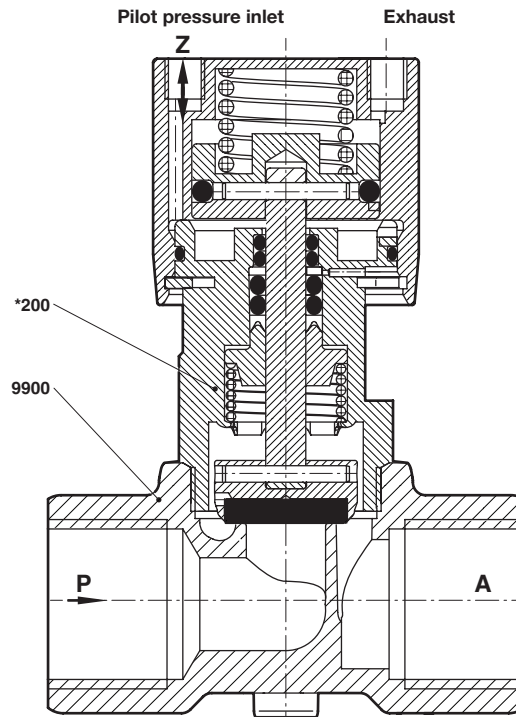
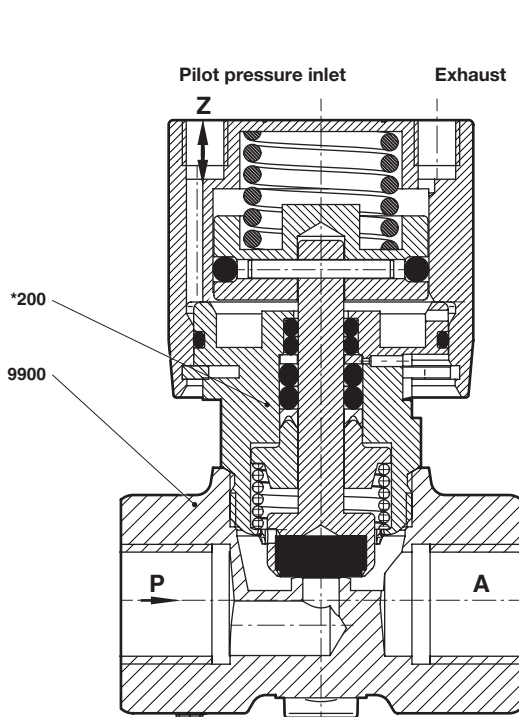
Thread form	Substitute
ISO G	18
NPT	38
Port size	Substitute
1/8"	800
1/4"	020
3/8"	140
1/2"	260

Further options on request!

Section View

G1/8 ... 3/8
1/8 ... 3/8 NPT

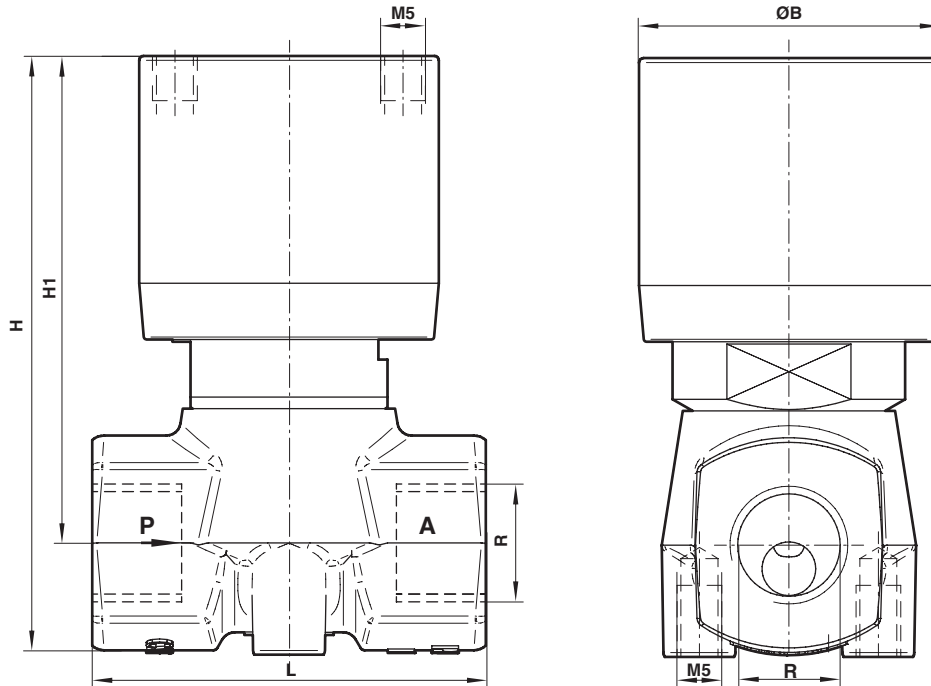
G1/2
1/2 NPT



* These individual parts form a complete wearing unit.
When ordering spare parts please state Model No. and Series No.

No.	Description
*200	Actuator
9900	Valve body

Dimensions
G1/8 ... 1/2
1/8 ... 1/2 NPT

 Dimensions in mm
 Projection/First angle


Port size R	ØB	H	H1	L	Model
G1/8	34	65	53	44	8418800.0000.00000
1/8 NPT	34	65	53	44	8438800.0000.00000
G1/4	34	65	53	44	8418020.0000.00000
1/4 NPT	34	65	53	44	8438020.0000.00000
G3/8	34	65	53	44	8418140.0000.00000
3/8 NPT	34	65	53	44	8438140.0000.00000
G1/2	34	81	67	60	8418260.0000.00000
1/2 NPT	34	81	67	60	8438260.0000.00000

Note to Pressure Equipment Directive (PED):

The valves of this series up to and including DN 25 (G1) are according to Art. 4 § 3 of the Pressure Equipment Directive (PED) 2014/68/EU. This means interpretation and production are in accordance to engineers practice wellknown in the member countries. The CE-sign at the valve does not refer to the PED. Thus the declaration of conformity is not longer applicable for this directive.

For valves > DN 25 (G1) Art. 4 § (1) Letter d) applies:

The basic requirements of the Enclosure I of the PED must be fulfilled. The CE-sign at the valve includes the PED. A certificate of conformity of this directive will be available on request.

Note to Electromagnetic Compatibility Guideline (EEC):

The valves shall be provided with an electrical circuit which ensures the limits of the harmonised standards EN 61000-6-3 and EN 61000-6-1 are observed, and hence the requirements of the Electromagnetic Compatibility Guideline (2014/30/EU) satisfied.

Note to EAC marking:

The EAC-marked products comply with the applicable requirements stated in the technical regulations of the Eurasian Economic Union.