

- > Port size: DN 2,5
- > High flow rate
- > Functional compact design
- > Solenoid interchangeable without tools (*Click-on®*)
- > Good corrosion resistance
- > Increased service life
- > low maintenance
- > International approvals



Technical features

Medium:

Neutral gases and liquids

Switching function:

Normally closed

Operation:

Direct solenoid actuated

Mounting position:

Optional,
vertical on top

Flow direction:

Determined

Port size:

- Standard (compression fitting)
2 x Ø 6 mm
(O/D 6 mm, I/D 4 mm)
- Standard (hose fitting)
1 x Ø 6 mm

Operating pressure:

0 ... 2,5 bar (0 ... 36 psi)

Differential pressure:

0 ... 2,5 bar (0 ... 36 psi)

Fluid temperature:

0 ... +125°C (+32 ... +257°F)

Ambient temperature:

0 ... +50°C (+32 ... +122°F)

Materials:

Body: PPSU (Polyphenylsulfon)

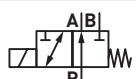
Seat seal: EPDM

Internal parts: Stainless steel

Components made of PPSU do not come into contact with the following media:

acetone, ether, ketones, aromatic hydrocarbons, chlorinated hydrocarbons, oxidising acids and anaerobic adhesives

Technical data - standard models

Symbol	Port size (mm)	Orifice (mm)	Flow kv value *1) (m ³ /h)	Operating pressure *2) (bar)	Differential pressure (bar)	Weight *3) (kg)	Model
	Ø6	2,5	0,15	0 ... 2,5	0 ... 2,5	0,17	8590420.9846.xxxxx

xxxxx Please insert voltage and frequency codes

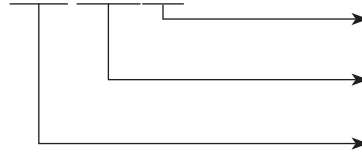
*1) Cv-value (US) ≈ kv value x 1,2

*2) for gases and liquid fluids up to 25 mm²/s (cSt)

*3) Valve only

Option selector

8590420.9846.★★★★★



Frequency	Substitute
See table frequency codes	xx
Voltage	Substitute
See Voltage codes	xxx
Options (Solenoids)	Substitute
Voltage 24 V d.c.	9846
DC 11 W	
Voltage range +0% / -5%	
Duty cycle	
40% ED 3 min SD	
Terminals 6,3 x 0,8	
Protection class IP 00	

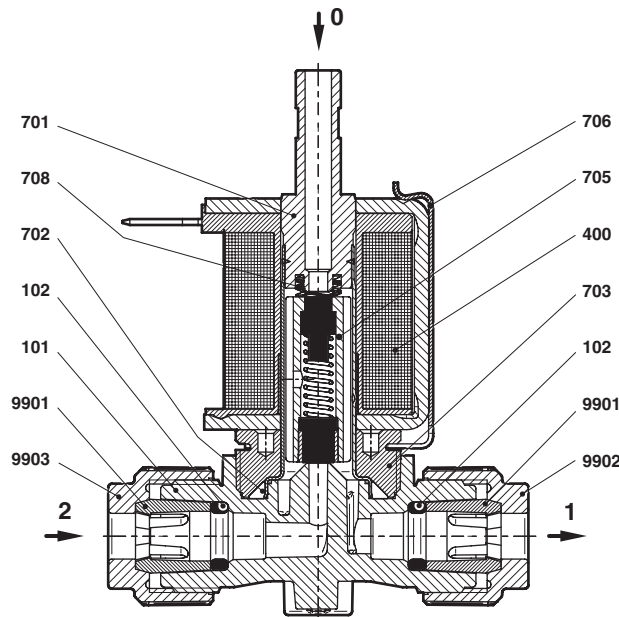
Design acc. to DIN VDE 0580
Further versions on request!

Electrical details for all solenoid systems

According to DIN VDE 0580 at a solenoid temperature of +20°C. At operating state temperature the input power of a coil decreases by up to ca. 30% due to physical reasons.

Section view

8590420.9846.02400

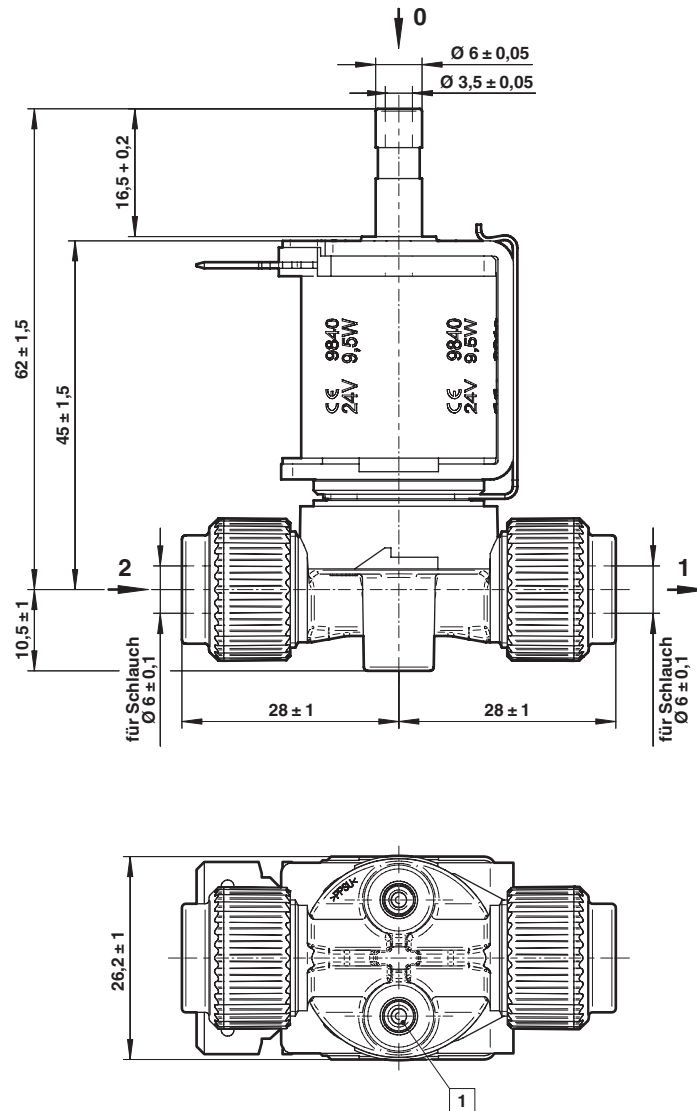


Nr.	Description
701	Core tube
708	Spring
702	O-Ring
102	O-Ring
101	Valve body
9901	Clamping ring
9903	Union nut
706	Spring band
705	Core
400	Solenoid
703	Screw piece
9902	Union nut

No Spare part orders possible.

For maintenance please state series no. without coil e. g. 8590420.9846.00000.

General Dimensions
8590420.9846.02400

 Dimensions in mm
 Projection/First angle


1 Mounting holes
 $\varnothing 3,8 \pm 0,05 \times 9,5 \pm 0,05$ mm deep

Note to Electromagnetic Compatibility Guideline (EEC):

The valves shall be provided with an electrical circuit which ensures the limits of the harmonised standards EN 61000-6-3 and EN 61000-6-1 are observed, and hence the requirements of the Electromagnetic Compatibility Guideline (2014/30/EU) satisfied.

Note to EAC marking:

The EAC-marked products comply with the applicable requirements stated in the technical regulations of the Eurasian Economic Union.