

- > Port size: For tank mounting with blow tube
- > Orifice: DN 25 ... 65
- > High flow rate
- > Clear, compact design



Technical features

Medium:

Neutral gases

Switching function:

Normally closed

Operation:

Pilot operated valve for cleaning dust filters

Flow direction:

Determined

Mounting position:

Optional

Port size:

DN 25, DN 40, DN 50, DN 65

Control port:

G1/8

Operating pressure:

0,4 ... 8 bar (5,8 ... 116 psi)

Differential pressure:

0,4 bar (5,8 psi) required

Dusty gas temperature:

-20° ... +85°C (-4° ... +185°F)

Cleaning gas temperature:

-40° ... +85°C (-40° ... +185°F)

Ambient temperature:

-20° ... +85°C (-4° ... +185°F)

Material:

Body: Aluminium

Seat seal: TPE

Blow tube: Aluminium

Adapter: Aluminium

Technical data - standard models

Symbol	Orifice (mm)	Flow kv value *1) (m³/h)	Operating pressure (bar) (psi)		Weight (kg)	Model
	25	28	0,4 ... 8	5,8 ... 116	0,26	8393400.0000.00000
	40	74	0,4 ... 8	5,8 ... 116	0,9	8393600.0000.00000
	50	104	0,4 ... 8	5,8 ... 116	1,6	8393700.0000.00000
	65	121	0,4 ... 8	5,8 ... 116	2	8393800.0000.00000

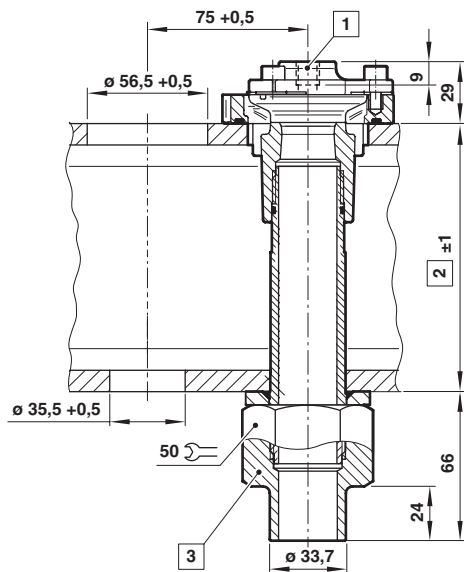
*1) Cv-value (US) ≈ kv value x 1,2

Outside dim. of tank/profile (mm)	Model		plus	Connection kit			
	DN 25	DN 40		Hose connector	Female thread	Male thread	Push-in sleeve
70	8393400.0000.00000	—	+	1263648	1263641	1263634	1263628
100	0000.00000			1263649	1263642	1263635	1263629
120				1263652	1263643	1263636	1263630
140				1263653	1263644	1263637	1263609
160				1263655	1263645	1263638	1263631
180				1263656	1263646	1263639	1263632
200				1263657	1263647	1263640	1263633
70	—	8393600.0000.00000	+	1263682	1263674	1263666	1263658
100				1263683	1263675	1263667	1263659
120				1263684	1263676	1263668	1263660
140				1263685	1263677	1263669	1263661
160				1263686	1263678	1263670	1263662
180				1263687	1263679	1263671	1263663
200				1263688	1263680	1263672	1263664

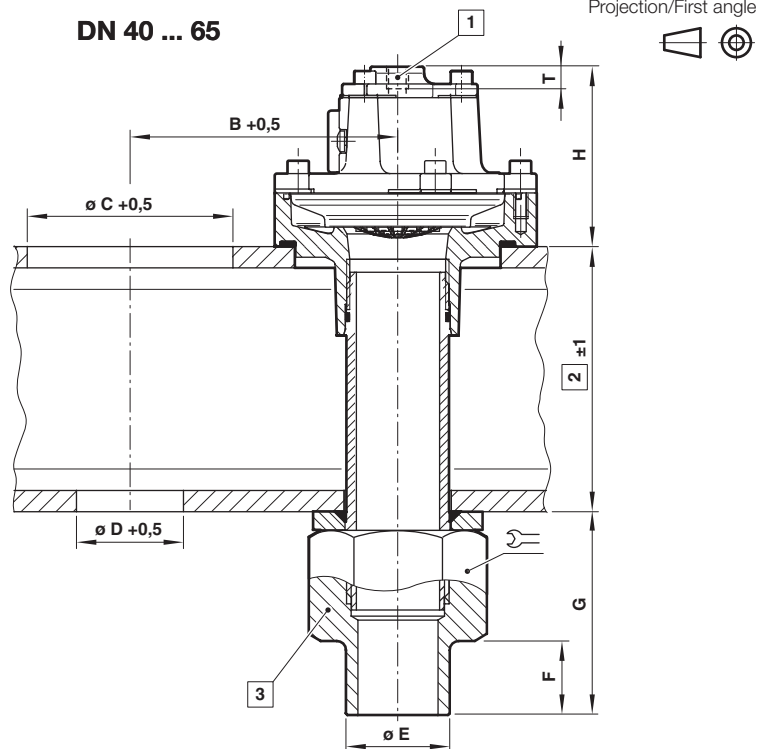
Kit not required for use without connection pipe. Please then just give Order-No. for DN 25 or 40 connection
DN 50 and DN 65 – Tube and connection on request

Dimensions

DN 25



DN 40 ... 65



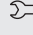
Dimensions in mm
Projection/First angle



1 Pilot connection G1/8

2 Profile

3 Hose connector

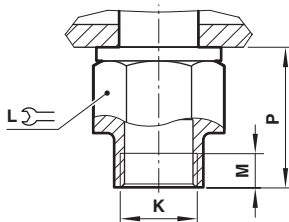
Orifice (mm)	B	ø C	ø D	ø E	F	G	H	T		Typ	
25					see drawing						8393400.0000.00000
40	125	96,5	50,5	48,6	30	81	84	10	65	8393600.0000.00000	
50	200	116	61	60,3	60	118	89	10	80	8393700.0000.00000	
65	200	116	77	76	70	145	89	10	90	8393800.0000.00000	

Maximum torque 50 Nm for DN 25 adapter

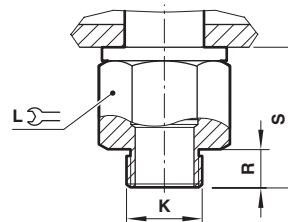
Maximum torque 100 Nm for DN 40, DN 50, DN 65 adapter

Other adapters

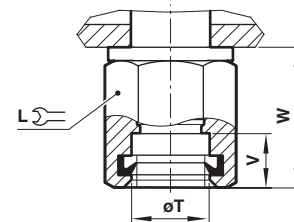
Female thread



Male thread



Hose connection



	Orifice (mm)	K	L	M	P	R	S	ø T	V	W
Female thread	25	G1	6kt, 65	15	62	-	-	-	-	-
Female thread	40	G1 1/2	6kt, 65	23	81	-	-	-	-	-
Male thread	25	G1	6kt, 65	-	-	17	62	-	-	-
Male thread	40	G1 1/2	6kt, 65	-	-	25	81	-	-	-
Hose connection	25	-	6kt, 65	-	-	-	-	33,7	24	66
Hose connection	40	-	6kt, 65	-	-	-	-	48,3	40	91

Note to Pressure Equipment Directive (PED):

The valves of this series are according to clause 4 § 3 of the Pressure Equipment Directive (PED) 2014/68/EU.

This means interpretation and production are in accordance to engineers practice well-known in the member countries.

A certificate of conformity is not designated.