

- > **Port size: Compression Fitting DN 25 ... 40**
- > **High flow rate**
- > **Clear, compact design**
- > **One-piece diaphragm**
- > **Simple mounting**


**Technical features**
**Medium:**

Air

**Switching function:**

Normally closed

**Flow direction:**

Determined

**Mounting position:**

Optional

**Port size:**

DN 25, DN 40

**Control port:**

G1/8

**Operating pressure:**

0,4 ... 8 bar (5,8 ... 116 psi)

**Dusty gas temperature:**

-20° ... +85°C (-4° ... +185°F)

**Cleaning gas temperature:**

-40° ... +85°C (-40° ... +185°F)

**Ambient temperature:**

-20° ... +85°C (-4° ... +185°F)

**Material:**

Body: Aluminium

Seat seal: TPE

**Note:**

Control via separate pilot valve or pilot controller.

**Technical data - standard models**

Symbol	Orifice (mm)	Flow kv value *1) (m³/h)	Operating pressure (bar)	Operating pressure (psi)	Weight (kg)	Model
	25	22	0,4 ... 8	5,8 ... 116	0,7	8364400.0000.00000
	40	59	0,4 ... 8	5,8 ... 116	1,85	8364600.0000.00000

\*1) Cv-Wert (US) ≈ Flow kv value x 1,2

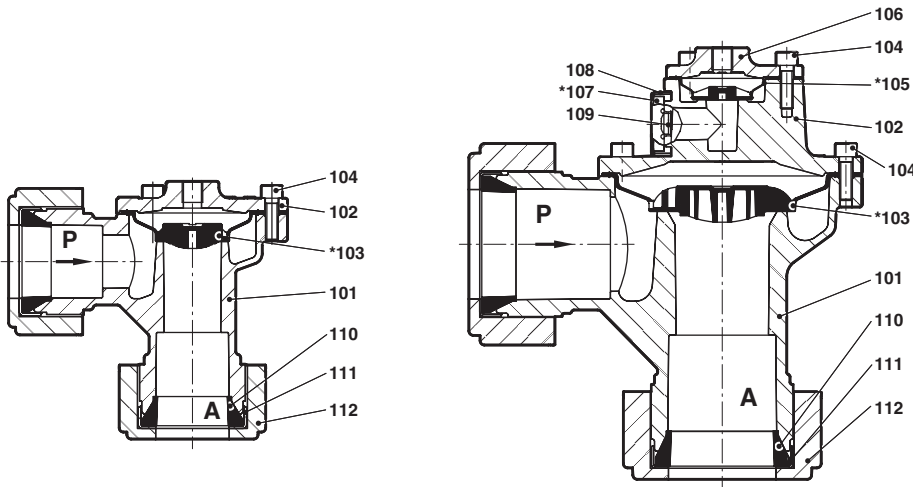
**Option selector**
**8364\*\*\*.0000.00000**

Port size	Substitute	Valve options	Substitute
25	4	Dusty gas temperature version -20 ... +100°C, Seat seal TPE, Ambient temperature -40 ... +85°C (-40 ... +185°F), Cleaning gas temperature -20 ... +85°C (-4 ... +185°F)	62
40	6	Dusty gas temperature version -20 ... +140°C, Seat seal TPE, Ambient temperature -40 ... +85°C (-40 ... +185°F), Cleaning gas temperature -20 ... +85°C (-4 ... +185°F)	63
		Pilot connection 1/8 NPT	99

Section View

DN 25

DN 40



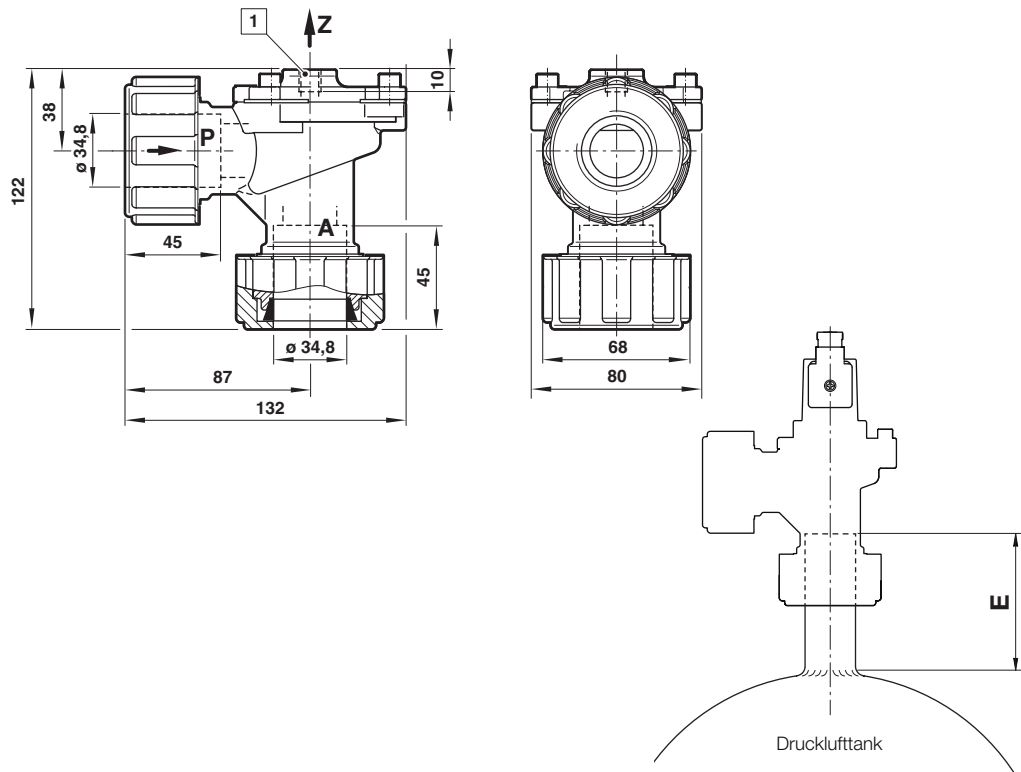
No.	Description
101	Valve body
102	Valve cover
*103	Diaphragm
104	Socket head cap screw
*105	Diaphragm
106	Valve cover
*107	Silencer
108	Silencer housing
109	Socket head cap screw
110	Gasket
111	Gasket socket
112	Retainer nut

\* These individual parts form a complete wearing unit.  
When ordering spare parts please state Model No. and Series No.

Dimensions

DN 25

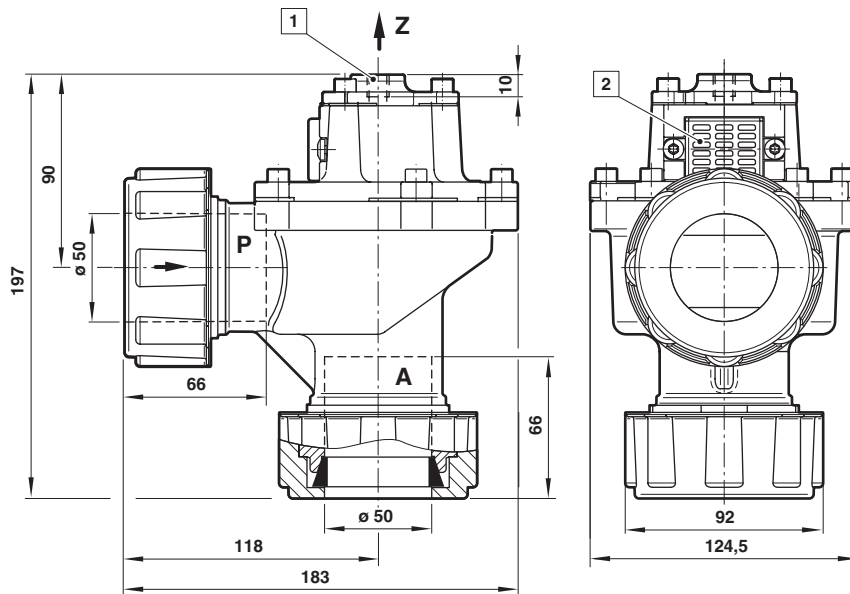
Dimensions in mm  
Projection/First angle



Orifice (mm)	E
25	59
40	83

DN 40

Dimensions in mm  
Projection/First angle



- 1 Pilot connection G1/8
- 2 Silencer

**Note to Pressure Equipment Directive (PED):**

The valves of this series are according to clause 4 § 3 of the Pressure Equipment Directive (PED) 2014/68/EU.

This means interpretation and production are in accordance to engineers practice well-known in the member countries.

A certificate of conformity is not designated.