

- > ø 75 mm for DN 25 valves
- > Choice of virtually any number of valves at spacing of at least 75 mm
- > Different blow-tube connections available include pipe, thread, flange socket, etc.
- > Integrated filter pulse valve with TPE diaphragm
- > For rapid response, high peak pressures and very good flow rates
- > Pilot/Solenoid actuated valve
- > International approvals



Technical features

Mounting position:

Optional

Diameter:

ø 75 mm

Working pressure:

0,4 ... 8 bar (5,8 ... 116 psi)
(pulsating)

Dusty gas temperature:

-20° ... +80°C (-4° ... +176°F)

Coil gas temperature:

-20° ... +80°C (-4° ... +176°F)

Ambient temperature:

-20° ... +80°C (-4° ... +176°F)

Volume:

0,045 dm³/cm of tank length

Kv-value:

26 m³/h apiece valve unit

Minimum spacing:

90 mm

Material:

Housing: Aluminium/PA 66

Seat seal: TPE

Pilot seal: TPU

Technical data - standard models

Further Informationen

Please contact a member of our sales team, to check the model number. (Phone +49 5731/791-0)

Standard solenoid systems

Voltage and Frequency Solenoid 8171 *1)

| Code Voltage | Code Frequency | Voltage | Frequency | Power consumption | |
|--------------|----------------|------------|--------------|-------------------|---------|
| | | | | Inrush | Holding |
| 024 | 00 | 24 V d.c. | - | 12 W | 12 W |
| 024 | 50 | 24 V a.c. | 50 ... 60 Hz | 23 VA | 16 VA |
| 110 | 50 | 110 V a.c. | 50 ... 60 Hz | 23 VA | 16 VA |
| 120 | 60 | 120 V a.c. | 50 ... 60 Hz | 23 VA | 16 VA |
| 230 | 50 | 230 V a.c. | 50 ... 60 Hz | 23 VA | 16 VA |

Voltage and Frequency Solenoid 8001

| | | | | | |
|-----|----|------------|--------------|-------|-------|
| 024 | 00 | 24 V d.c. | - | 12 W | 12 W |
| 024 | 50 | 24 V a.c. | 50 ... 60 Hz | 20 VA | 16 VA |
| 110 | 50 | 110 V a.c. | 50 ... 60 Hz | 20 VA | 16 VA |
| 120 | 60 | 120 V a.c. | 50 ... 60 Hz | 20 VA | 16 VA |
| 230 | 50 | 230 V a.c. | 50 ... 60 Hz | 20 VA | 16 VA |

*1) US coil only

Electrical details for all solenoid systems

| | |
|-------------------------|---|
| Design | DIN VDE 0580 |
| Voltage range | ±10% |
| Duty cycle | 100% ED |
| Protection class | EN 60529 IP65 |
| Socket | Form A acc. to DIN EN 175301-803 (included) |

According to DIN VDE 0580 at coil temperature +20°C.
In operating the solenoid coil decrease the power consumption appr. 30%.

Additional solenoid systems for hazardous areas

| ATEX category | ATEX protection class | IP protection class | Solenoid | Standard voltages |
|----------------|---|---------------------|----------|-----------------------------------|
| II 3G II 3D | Ex ec IIC T4 Gc Ex tc IIIC T130°C Dc | IP65 | 8176 | 24 V d.c., 110 V a.c., 230 V a.c. |
| II 2G II 2D | Ex eb mb IIC T4 Gb Ex mb tb IIIB T135°C Db | IP66 | 6176 | 24 V d.c., 110 V a.c., 230 V a.c. |

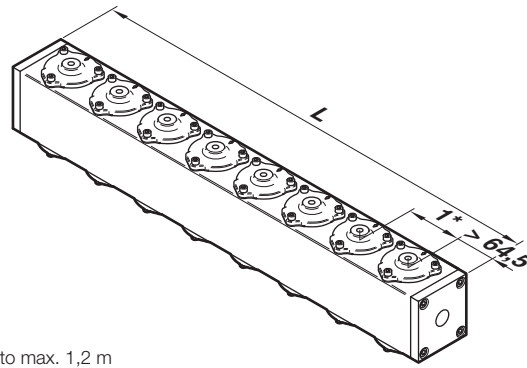
Attention!

The conditions imposed on the Ex approvals lead to reduction of the permissible standard temperature ranges in the cases of explosion protected solenoids.

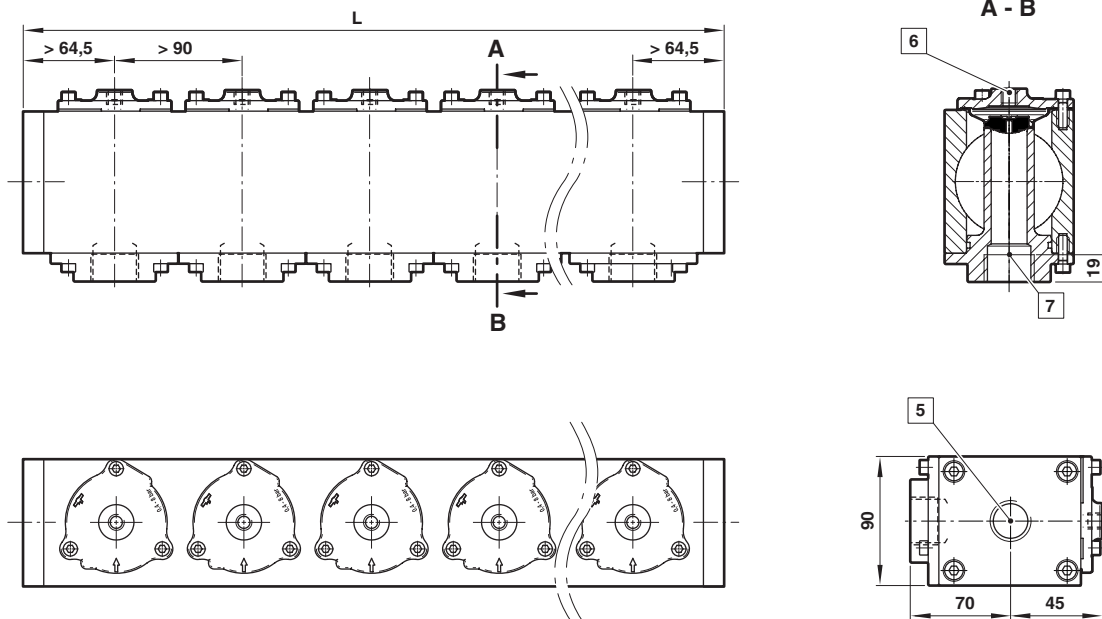
Dimensions

Pneumatic actuated valve

Dimensions in mm
Projection/First angle



- *1) Min. 75 mm, but max. to customer requirement
- L Individual length of the filter cleaning system up to max. 1,2 m completely mounted (further dimensions on request)

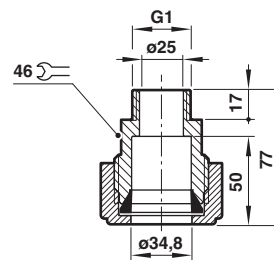
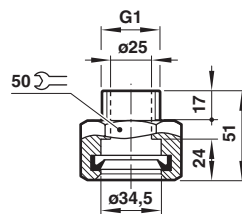
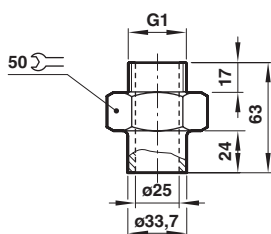


- 5** Connection G1/2 resp. 1/2 NPT
 - condensate drain
 - pressure gauge
 - pressure switch
 - reading point
 - compressed air supply
 - input solenoid valve
- 6** Pilot connection
G1/8 bzw. 1/8 NPT
- 7** Connection thread G1
for adapters

Hose connection

Plug connection

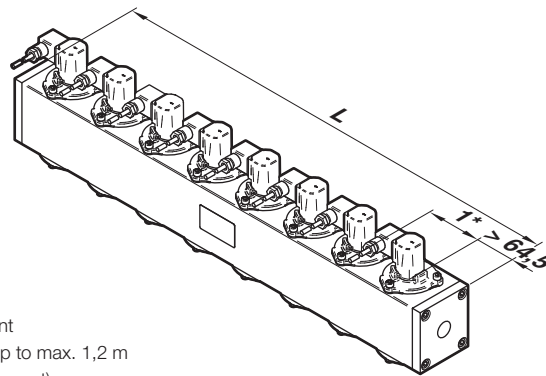
Crimp connection



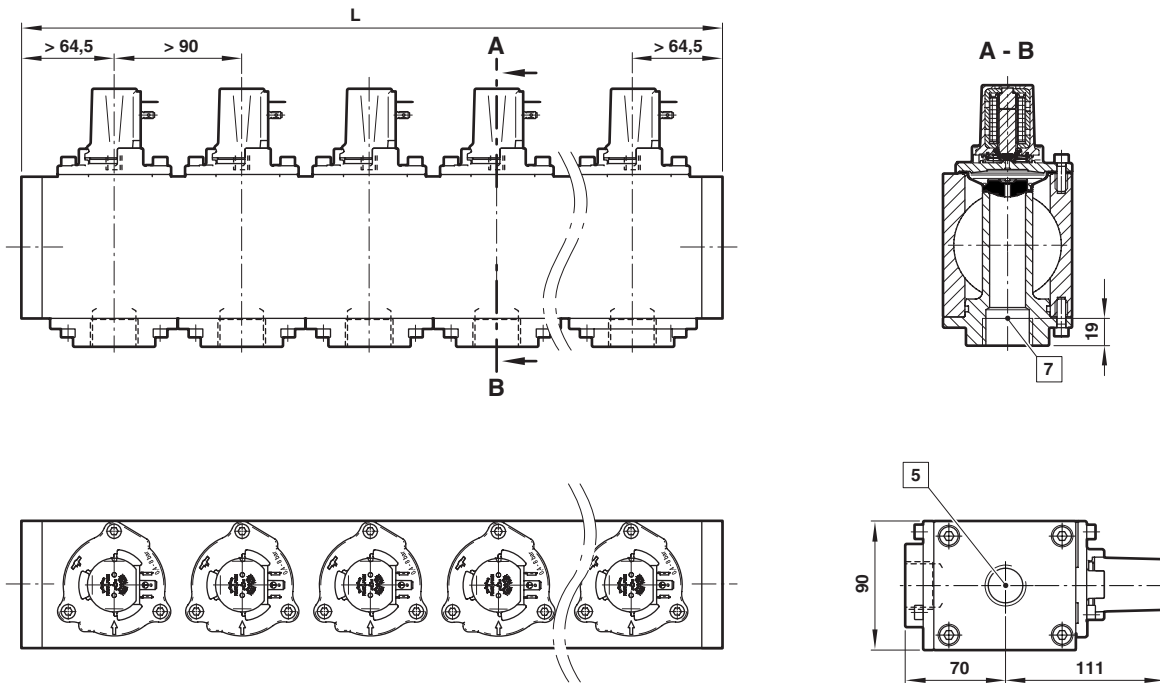
Dimensions

Solenoid actuated valve

Dimensions in mm
Projection/First angle



- *1) Min. 75 mm, but max. to customer requirement
- L Individual length of the filter cleaning system up to max. 1,2 m completely mounted (further dimensions on request)



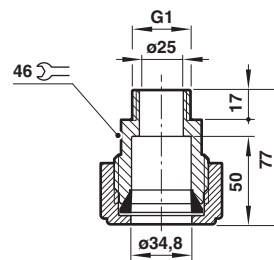
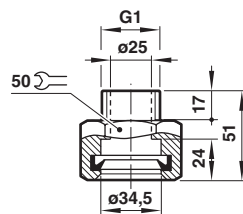
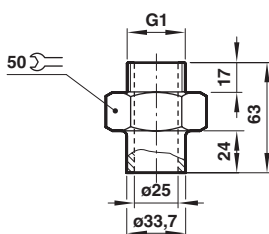
- 5** Connections
- condensate drain
 - pressure gauge
 - pressure switch
 - reading point
 - compressed air supply
 - input solenoid valve

- 7** Connection thread G1 for adapters

Hose connection

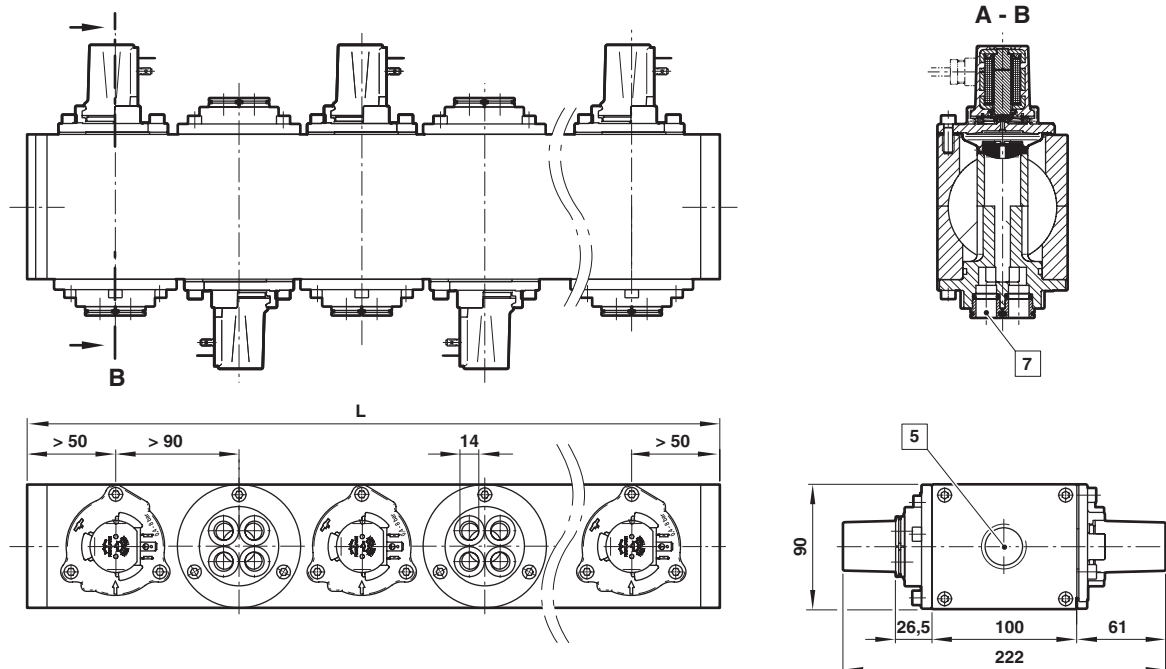
Plug connection

Crimp connection



Dimensions

Special solution



L Individual length of the filter cleaning system up to max. 1,2 m completely mounted (further dimensions on request)

5 Connections

- condensate drain
- pressure gauge
- pressure switch
- reading point
- compressed air supply
- input solenoid valve

7 Push-in Connection