

- > Port size: Ø 6 ... 12 mm
G1/8 ... G3/8
- > Configuration flexibility
- > Low weight
- > No tools required for assembly



Technical features

Medium:

Compressed air

Maximum operating pressure:
12 bar (174 psi)

Ambient/Media temperature:

-20 ... +60°C (-4 ... +140°F)

Air supply must be dry enough to avoid ice formation at temperatures below +2°C (+35°F).

Materials:

Body: PBT

Bonnet: PBT

Valve elastomer: Geolast

Diaphragm: NBR

Internal parts: Acetal

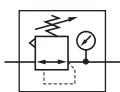
Gauge: Brass body, plastic face

Elastomers:

Bowl O-ring - CR

All others - NBR

Technical data - standard models

Symbol	Port size	Connector	Pressure range (bar)	Flow (dm ³ /s) *	Gauge	Weight (kg)	Model
	G 1/4	With mounting bracket	0,3 ... 10	25 (1500 l/min)	Included	0,28	R92G-2GK-RMG

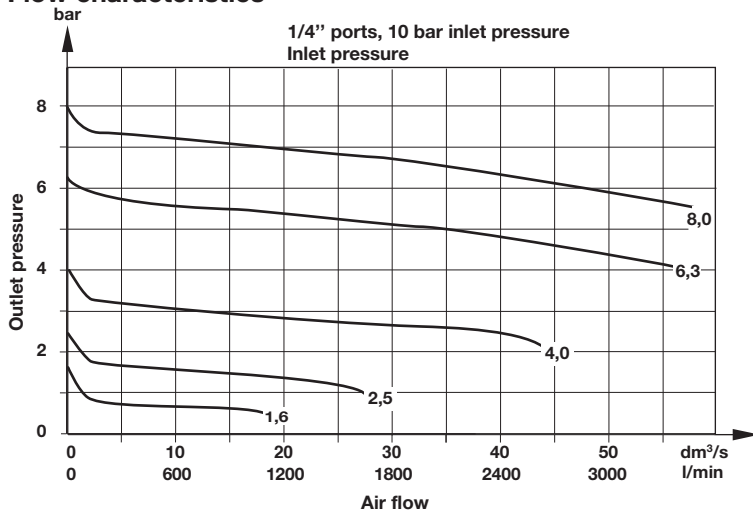
* Typical flow with 10 bar inlet pressure, 6,3 bar set pressure and a 1 bar drop from set.

Option selector

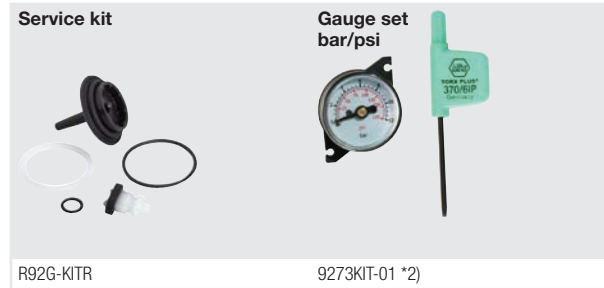
R92★-★★K-RMG

Flow direction	Substitute		Connector without mounting bracket	Substitute
From left to right (standard)	G		G1/4	2V
Connector with mounting bracket	Substitute		Connector	Substitute
6 mm Push-in fitting	6D		Without	NN
8 mm Push-in fitting	8D			
10 mm Push-in fitting	AD			
12 mm Push-in fitting	BD			
G 1/8	1G			
G 1/4	2G			
G 3/8	3G			

Flow characteristics

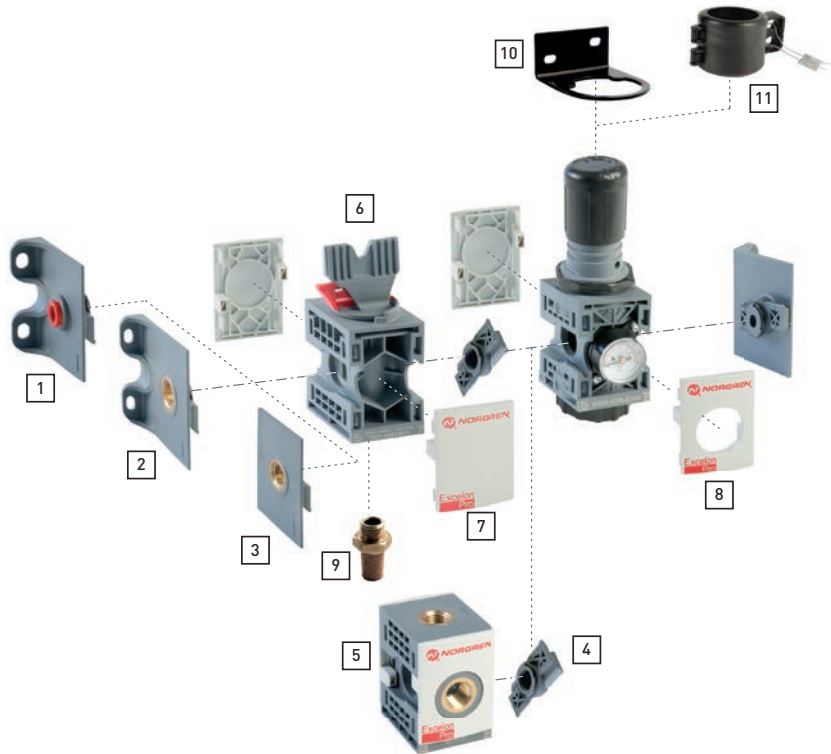


Service kit



*2) Part number = five gauges, installation screws, O-ring and screwdriver

Component par



	Push-in fitting connector with mounting bracket	Threaded connector with mounting bracket	Threaded connector without mounting bracket
Port size	1	2	3
G1/8	-	9212KIT-1G	-
G1/4	-	9212KIT-2G	9211KIT-2V
G3/8	-	9212KIT-3G	-
ø 6 mm	9213KIT-6D	-	-
ø 8 mm	9213KIT-8D	-	-
ø 10 mm	9213KIT-AD	-	-
ø 12 mm	9213KIT-BD	-	-

Quick connector	Porting block Plugs not included	Lockout/shut-off valve with exhaust port	Locking plate
4	5	6	7
9210-50	9216-51	T92T-NNN-B1N	9236-88
Locking plate for gauge side only	Silencer	Wall mounting	Tamper resistant cover and seal wire
8	9	10	11
9236-89	T40M0500	74316-02	9255-51

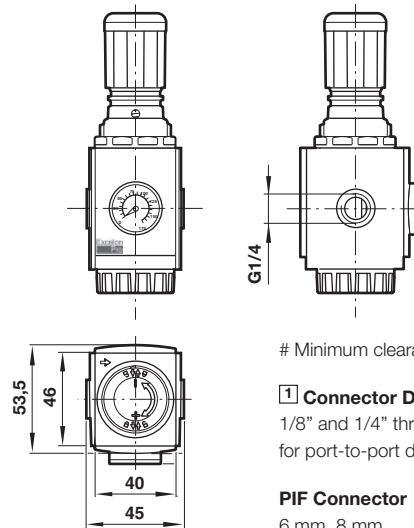
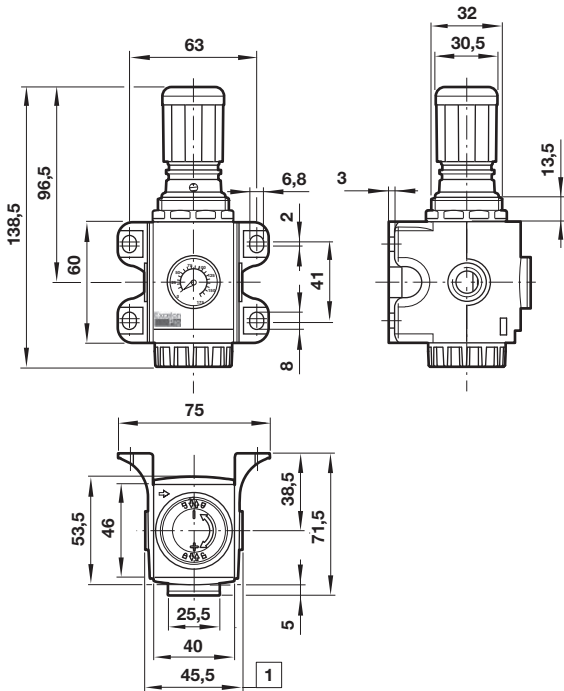
Warning
Locking plates MUST be in place before pressurizing any Excelon Pro unit.

Drawings

Regulator with wall mounting bracket

Regulator without mounting bracket

Dimensions in mm
Projection/First angle



Minimum clearance required to remove bowl

1 Connector Dimensions

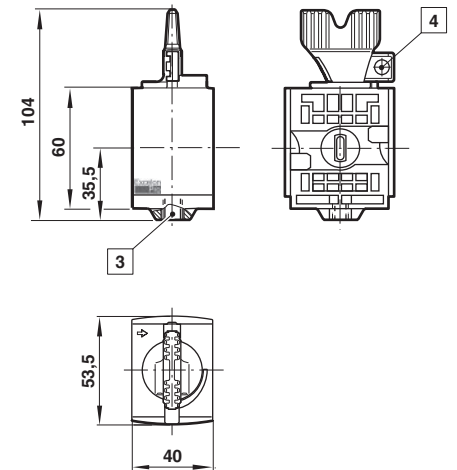
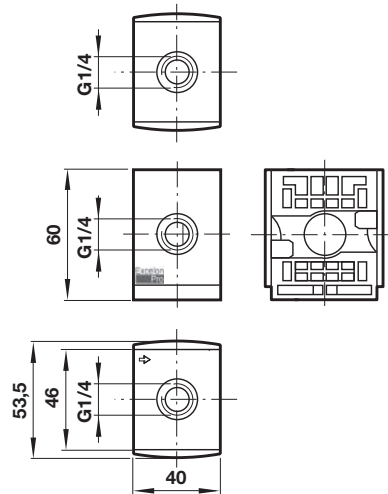
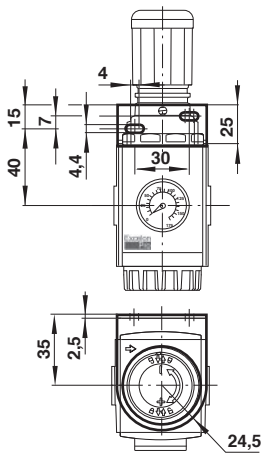
1/8" and 1/4" threaded connectors shown. See below for port-to-port dimensions for additional connectors.

PIF Connector	Port-to-port
6 mm, 8 mm	60
10 mm, 12 mm	62
Threaded connector	
G1/8, G1/4	45,5
G3/8	76

Wall mounting

Porting block

Lockable/shut off valve



3 M5 exhaust port

4 Lever lockable only in closed position.

Lock slide accepts ø 7 mm padlock/shackle.

Warning

These products are intended for use in industrial compressed air systems only. Do not use these products where pressures and temperatures can exceed those listed under »Technical features/data«.

Before using these products with fluids other than those specified, for non-industrial applications, life-support systems or other applications not within published specifications, consult IMI Precision Engineering, Norgren Inc. Through misuse, age, or malfunction, components used in fluid power systems can fail in various modes.

The system designer is warned to consider the failure modes of all component parts used in fluid power systems and to provide adequate safeguards to prevent personal injury or damage to equipment in the event of such failure.

System designers must provide a warning to end users in the system instructional manual if protection against a failure mode cannot be adequately provided.

System designers and end users are cautioned to review specific warnings found in instruction sheets packed and shipped with these products.