

- > Port size: \varnothing 8 mm, G1/4
- > Configuration flexibility
- > Excellent value
- > Low weight
- > No tools required for assembly



Technical features

Medium:

Compressed air

Maximum operating pressure:

Manual drain

12 bar (174 psi)

Automatic drain

10 bar (145 psi)

Element:

5 μ m

Drain:

Manual or automatic

Automatic drain operating conditions (float operated):

Bowl pressure required to close drain: > 0,35 bar (5 psi)

Bowl pressure required to open drain: \leq 0,2 bar (2.9 psi)

Minimum air flow required to close drain: 0,1 dm³/s (0.2 scfm)

Manual operation: depress pin inside drain outlet to drain bowl

Ambient/Media temperature:

-20 ... +52°C (-4 ... +125°F)

Air supply must be dry enough to avoid ice formation at temperatures below +2°C (+35°F).

Materials:

Body: PBT

Bonnet: PBT

Valve elastomer: Geolast

Diaphragm: NBR

Transparent bowl: PC

Element: Sintered PE

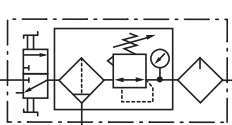
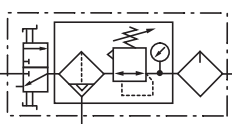
Gauge: Brass body, plastic face

Elastomers:

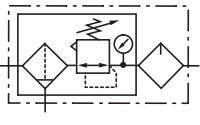
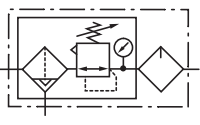
Bowl O-ring - CR

All others - NBR

Technical data, standard model , shut off valve, filter/regulator with exhaust port and lubricator

Symbol	Port size	Connector	Pressure range (bar)	Element (μ m)	Drain	Weight (kg)	Model
	\varnothing 8 mm	With mounting bracket	0,3 ... 10	5	Manual	0,52	BL92-F31D
	G 1/4	With mounting bracket	0,3 ... 10	5	Manual	0,53	BL92-231G
	\varnothing 8 mm	With mounting bracket	0,3 ... 10	5	Automatic	0,53	BL92-F11D
	G 1/4	With mounting bracket	0,3 ... 10	5	Automatic	0,54	BL92-211G

Technical data, standard model , filter/regulator with exhaust port and lubricator

Symbol	Port size	Connector	Pressure range (bar)	Element (μ m)	Drain	Weight (kg)	Model
	\varnothing 8 mm	With mounting bracket	0,3 ... 10	5	Manual	0,42	BL92-F35D
	G 1/4	With mounting bracket	0,3 ... 10	5	Manual	0,43	BL92-235G
	\varnothing 8 mm	With mounting bracket	0,3 ... 10	5	Automatic	0,43	BL92-F15D
	G 1/4	With mounting bracket	0,3 ... 10	5	Automatic	0,44	BL92-215G








Option selector

B92L-★★★★

Port size	Substitute
ø 8 mm	F
G 1/4	2
Drain	Substitute
Manual	3
Automatic	1

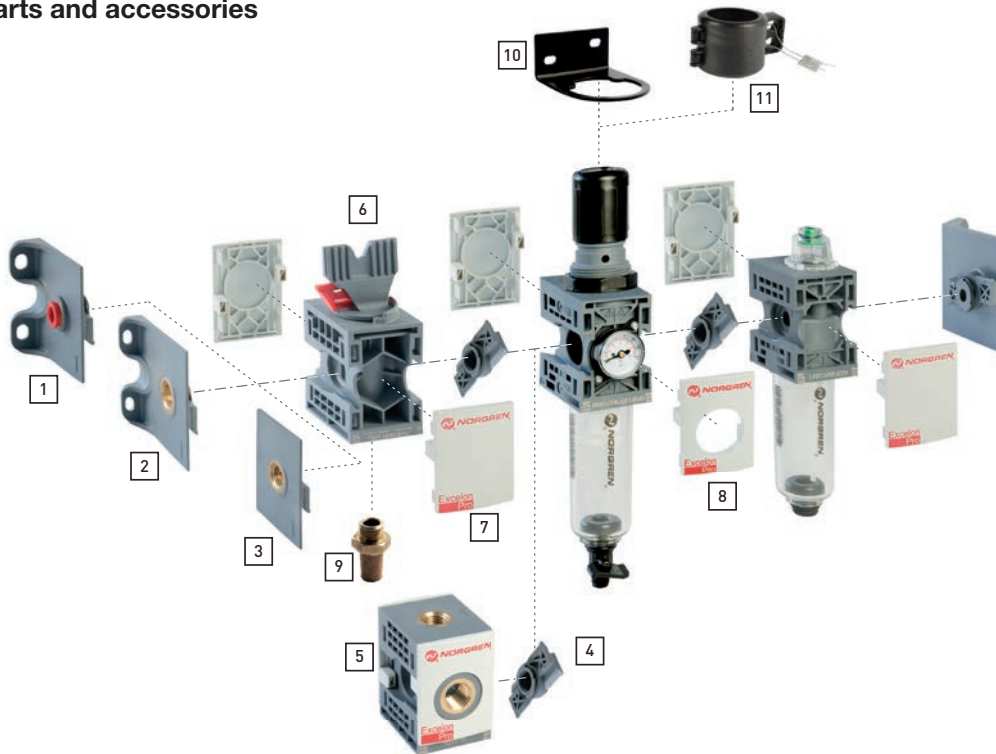
Thread form (in combination with port size only)	Substitute
Push-In connection	D
Thread	G
Shut-off valve	Substitute
with	1
without	5

Service kit

Service kit filter regulator	Service kit lubricator	Automatic drain	Gauge set bar/psi	Automatic drain bowl set	Manual drain bowl set	Closed bowl bowl set
						
B92G-KITR	L92C-KIT	4000-50R	9273KIT-01 *2)	9225KIT-51	9225KIT-50	9225KIT-52

*2) Part number = five gauges, installation screws, O-ring and screwdriver

Component parts and accessories



	Push-in fitting connector with mounting bracket	Threaded connector with mounting bracket	Threaded connector without mounting bracket
Port size	1	2	3
G1/8	-	9212KIT-1G	-
G1/4	-	9212KIT-2G	9211KIT-2V
G3/8	-	9212KIT-3G	-
ø 6 mm	9213KIT-6D	-	-
ø 8 mm	9213KIT-8D	-	-
ø 10 mm	9213KIT-AD	-	-
ø 12 mm	9213KIT-BD	-	-

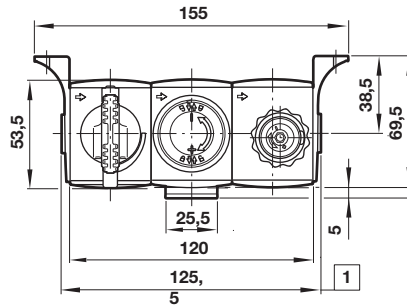
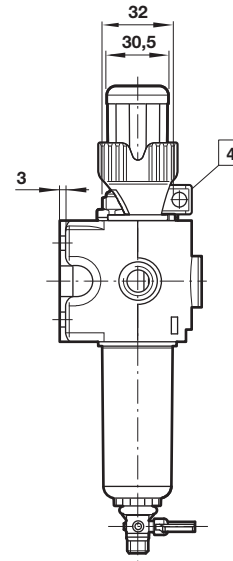
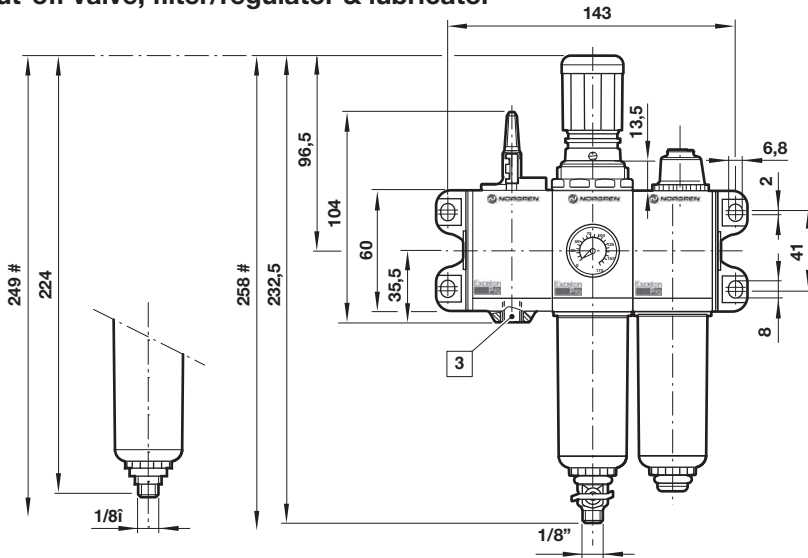
Quick connector	Porting block Plugs not included	Lockout/shut-off valve with exhaust port	Locking plate
4	5	6	7
9210-50	9216-51	T92T-NNN-B1N	9236-88
Locking plate for gauge side only	Silencer	Wall mounting	Tamper resistant cover and seal wire
8	9	10	11
9236-89	T40M0500	74316-02	9255-51

Warning
Locking plates **MUST** be in place before pressurizing any Excelon Pro unit.

Drawings

Shut-off valve, filter/regulator & lubricator

Dimensions in mm
Projection/First angle



Minimum clearance required to remove bowl

1 Connector Dimensions

1/8" and 1/4" threaded connectors shown. See below for port-to-port dimensions for additional connectors.

PIF - connector Port-to-port

8 mm 145,5

Threaded connector

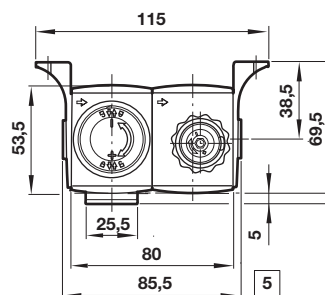
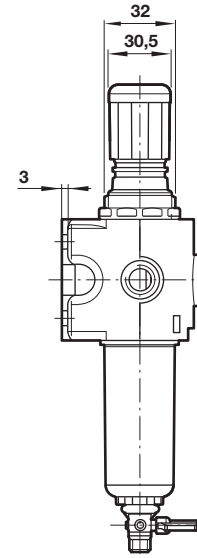
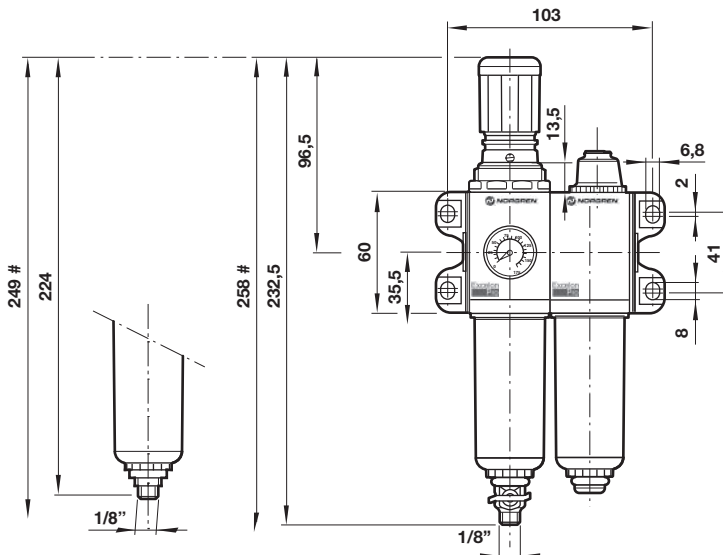
G1/4 125,5

3 M5 exhaust port

4 Lever lockable only in closed position.

Lock slide accepts ø 7 mm padlock/shackle.

Filter/regulator & lubricator



Minimum clearance required to remove bowl

1 Connector Dimensions

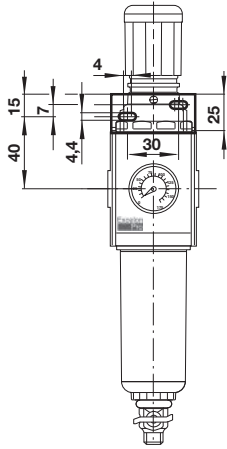
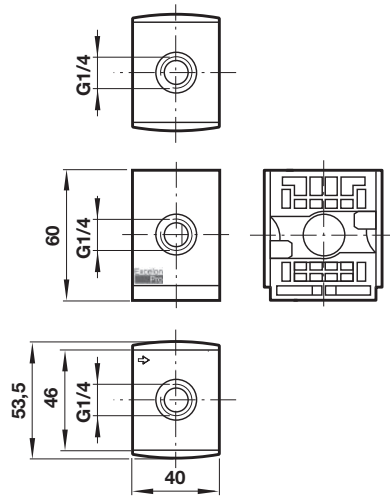
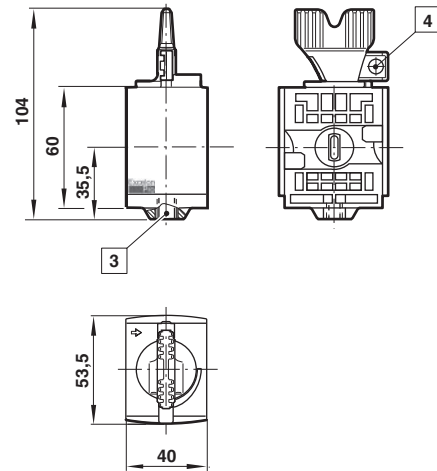
1/8" and 1/4" threaded connectors shown. See below for port-to-port dimensions for additional connectors.

PIF - connector Port-to-port

8 mm 105,5

Threaded connector

G1/4 85,5

Wall mounting

Porting block

Lockable/shut off valve

 Dimensions in mm
Projection/First angle


3 M5 exhaust port

4 Lever lockable only in closed position.

 Lock slide accepts \varnothing 7 mm padlock/shackle.

Warning

These products are intended for use in industrial compressed air systems only. Do not use these products where pressures and temperatures can exceed those listed under

»Technical features/data«.

Before using these products with fluids other than those specified, for non-industrial applications, life-support systems or other applications not within published specifications, consult IMI Precision Engineering, Norgren Inc.

Through misuse, age, or malfunction, components used in fluid power systems can fail in various modes.

The system designer is warned to consider the failure modes of all component parts used in fluid power systems and to provide adequate safeguards to prevent personal injury or damage to equipment in the event of such failure.

System designers must provide a warning to end users in the system instructional manual if protection against a failure mode cannot be adequately provided.

System designers and end users are cautioned to review specific warnings found in instruction sheets packed and shipped with these products.