

- > **Port size: 3/8" ... 3/4"**
(ISO G/PTF)
- > **Excelon® Plus design**
allows in-line installation
or modular installation
with other Excelon® Plus
products
- > **High efficiency oil and
particle removal**
- > **Double safety lock bowl**
- > **Metal bowl with prismatic
liquid level indicator lens**
- > **Light weight
Polycarbonate bowl**
- > **Service indicator
standard**
- > **Air purity class in
accordance with ISO
8573-1: Remaining oil
aerosol to class 1***

*Tested in accordance with the methods laid out in ISO 12500-1 using an inlet oil aerosol concentration of 4mg/m³



Technical features

Medium:

Compressed air only

Maximum supply pressure:

Polycarbonate bowl: 10 bar (145 psi)

Metal bowl: 20 bar (290 psi)

Remaining oil content:

0,01 mg/m³ at +21°C (+69°F)

Particle removal:

To 0,01 µm

Port size:

G3/8, G1/2, G3/4,
3/8 PTF, 1/2 PTF, 3/4 PTF

Flow:

Maximum flow to maintain stated oil removal performance at challenge rate of 4 mg/m³

F84C: 25 dm³/s, at port size: 1/2"

Operating pressure: 6,3 bar (91 psi)

Drain:

Manual or automatic

Automatic drain operating conditions (float operated):

Bowl pressure required to close drain: > 0,35 bar (5 psi)

Bowl pressure required to open drain: ≤ 0,2 bar (2.9 psi)

Minimum air flow required to close drain: 1 dm³/s (2 scfm)

Ambient/Media temperature:

Polycarbonate bowl:

-10 ... +60°C (+14 ... +140°F)

Metal bowl:

-20 ... +65°C (-4 ... +149°F)

Air supply must be dry enough to avoid ice formation at temperatures below +2°C (+35°F).

Note:

Install an F84G filter with a 5 µm filter element upstream of the F84C filter for maximum service life.

Materials:

Body: Die cast aluminium

Body covers: ABS

Bowl: Transparent PC with PP guard or die cast aluminium



Liquid level indicator lens (metal bowl): PA

Filter element: Synthetic fibre & PE foam

Bowl 'o'- ring: Chloroprene

Elastomers: NBR

Technical data F84C - standard models

Symbol	Port size	Drain	Bowl	Weight (kg)	Model
	G3/8	Auto	Guarded polycarbonate	0,38	F84C-3GD-AP0
	G1/2	Auto	Guarded polycarbonate	0,38	F84C-4GD-AP0
	G3/4	Auto	Guarded polycarbonate	0,38	F84C-6GD-AP0
	G3/8	Auto	Metal with level indicator	0,52	F84C-3GD-AD0
	G1/2	Auto	Metal with level indicator	0,52	F84C-4GD-AD0
	G3/4	Auto	Metal with level indicator	0,52	F84C-6GD-AD0
	G3/8	Manual	Guarded polycarbonate	0,38	F84C-3GD-QP0
	G1/2	Manual	Guarded polycarbonate	0,38	F84C-4GD-QP0
	G3/4	Manual	Guarded polycarbonate	0,38	F84C-6GD-QP0
	G3/8	Manual	Metal with level indicator	0,52	F84C-3GD-QD0
	G1/2	Manual	Metal with level indicator	0,52	F84C-4GD-QD0
	G3/4	Manual	Metal with level indicator	0,52	F84C-6GD-QD0

Option selector

F84C-*D-***0**

Port size	Substitute
3/8"	3
1/2"	4
3/4"	6
Thread form	Substitute
PTF	A
ISO G parallel (standard)	G

Bowl	Substitute
Metal with liquid indicator	D
Transparent with guard (standard)	P
Drain	Substitute
Manual (standard)	Q
Auto drain (standard)	A

Typical performance characteristics

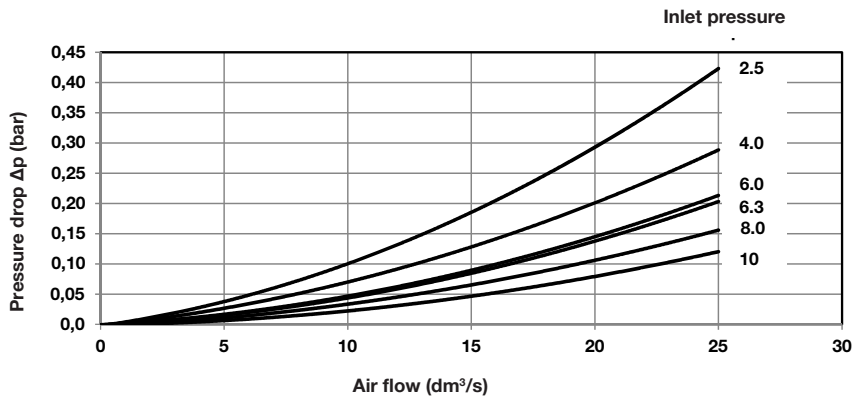
Inlet pressure (bar)	Maximum flow (dm ³ /s) *1)
2,50	12
4,00	17
6,30	25
8,00	30
10,00	35

*1) Maximum flow to maintain stated oil removal performance

Flow characteristics

F84C

Port size: 1/2", wet element



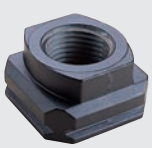
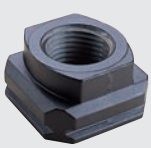
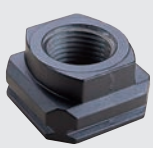
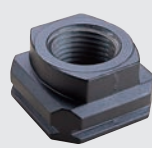
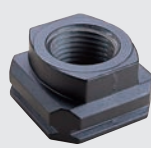
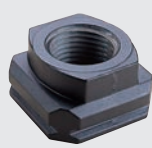
Accessories

Wall mounting bracket  Page 6 840024-50KIT	Quikclamp®  Page 6 840014-51KIT	Quikclamp® with bracket assembled  Page 6 840014-52KIT	Pressure sensing block 1/4 PTF  Page 6 840016-50KIT	Pressure sensing block G1/4  Page 6 840016-51KIT
--	---	--	---	--

Full flow porting block 3/4 PTF  Page 6 840028-50KIT	Full flow porting block G3/4  Page 6 840028-53KIT	Pressure switch interface block (18D pressure switch)  Page 7 0337717000000000	Pneumatic pressure switch 18D (0,5 ... 8 bar) *1)  Page 7 0881300	Digital pressure switch 51D (-1 ... 10 bar) *2)  Page 7 0860810
--	---	--	---	---

*1) Flanged version. For other pressure ranges, please see data sheet 5.11.001

*2) For other pressure ranges, please see data sheet 5.11.385

Port Adaptors 3/8 PTF  840015-02KIT	Port Adaptors 1/2 PTF  Page 7 840015-03KIT	Port Adaptors 3/4 PTF  Page 7 840015-04KIT	Port Adaptors G3/8  Page 7 840015-10KIT	Port Adaptors G1/2  Page 7 840015-11KIT	Port Adaptors G3/4  Page 7 840015-12KIT
---	--	--	--	---	---

Maintenance/Service

Coalescing filter element



840044-50KIT

Auto drain kit with metal Nut - Imperial



6000-61KIT

Auto drain kit with metal Nut - Metric



6000-60KIT

Spare parts

Filter Bowl (Guarded Poly bowl with auto drain 6 mm PIF)



840025-51KIT

Filter Bowl (Guarded Poly bowl with manual drain)



840025-50KIT

Filter Bowl (Metal with S/Glass & auto drain, 6 mm PIF)



840003-51KIT

Filter Bowl (Metal with S/Glass & manual drain)



840003-50KIT

Filter Bowl (Guarded Poly bowl with auto drain, 1/4 PIF)



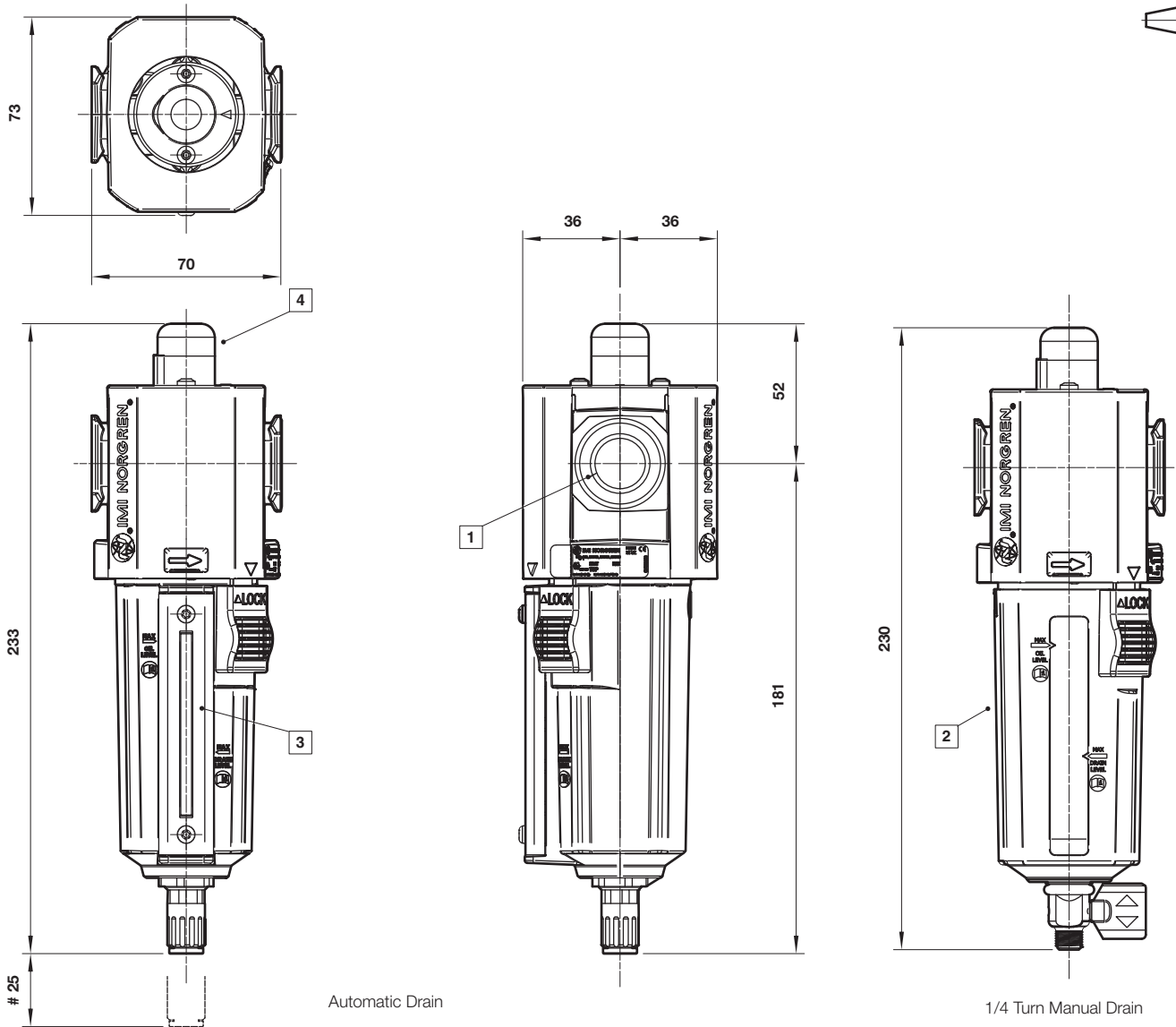
840025-53KIT

Filter Bowl (Metal with S/Glass & auto drain, 1/4 PIF)



840003-56KIT

Dimensions

 Dimensions in mm
 Projection/Third angle


Automatic Drain

1/4 Turn Manual Drain

Minimum clearance for bowl removal

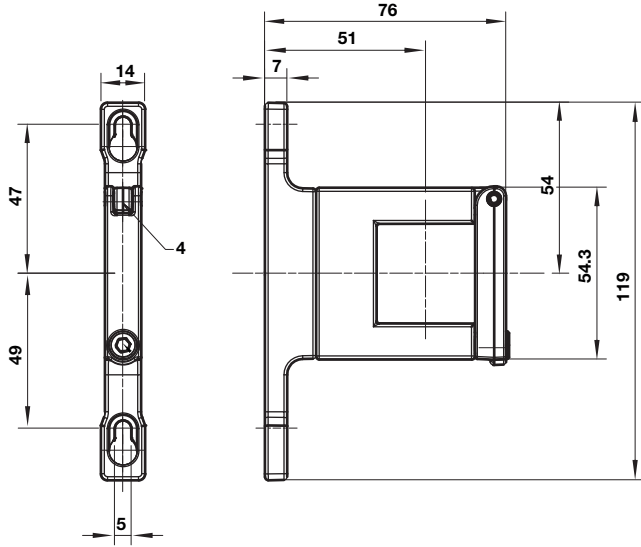
- 1 Main ports 3/8", 1/2" or 3/4" (ISO G/PTF)
- 2 Transparent bowl with guard
- 3 Metal bowl with liquid level indicator lens
- 3 Service indicator

Accessories

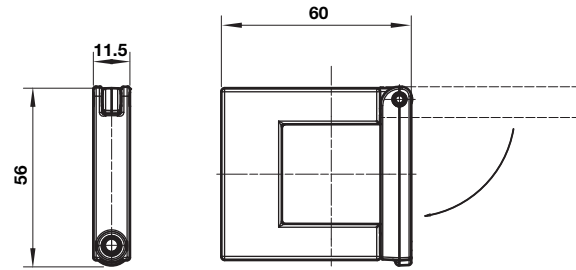
Dimensions in mm
Projection/Third angle



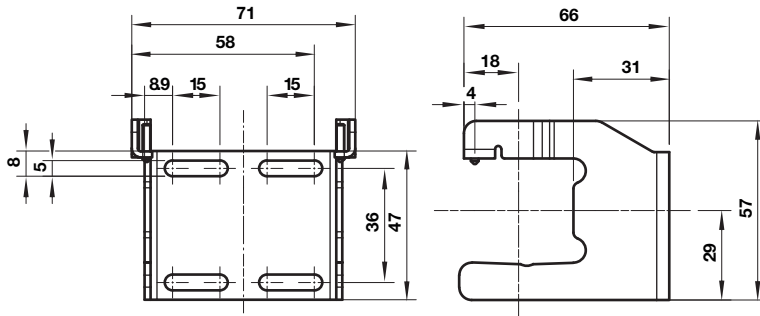
Quikclamp® with wall bracket



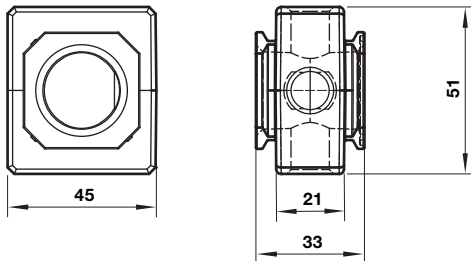
Quikclamp®



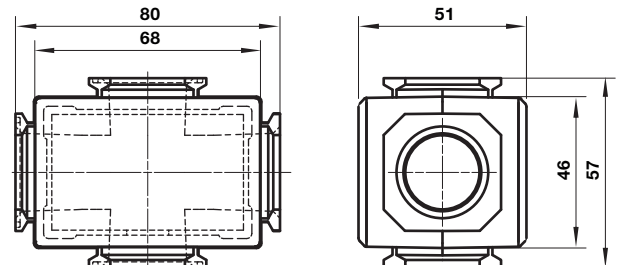
Mounting bracket

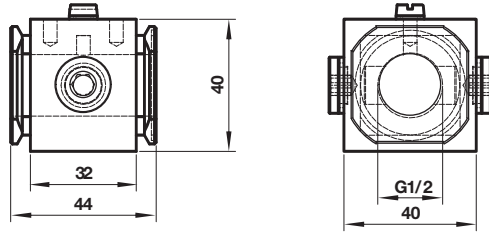


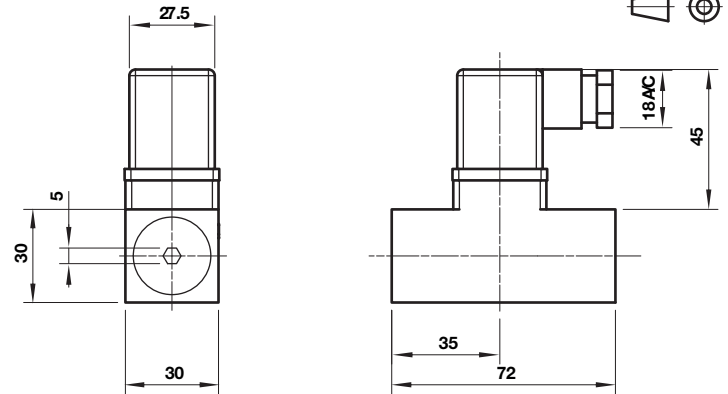
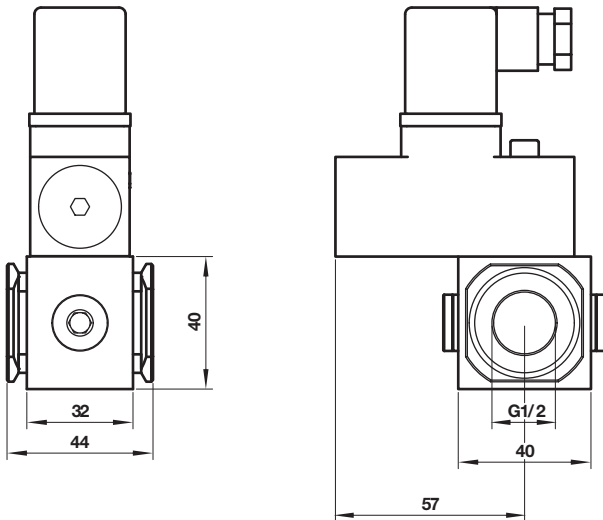
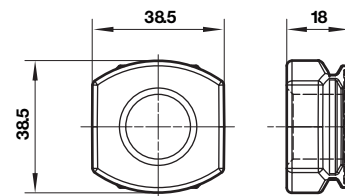
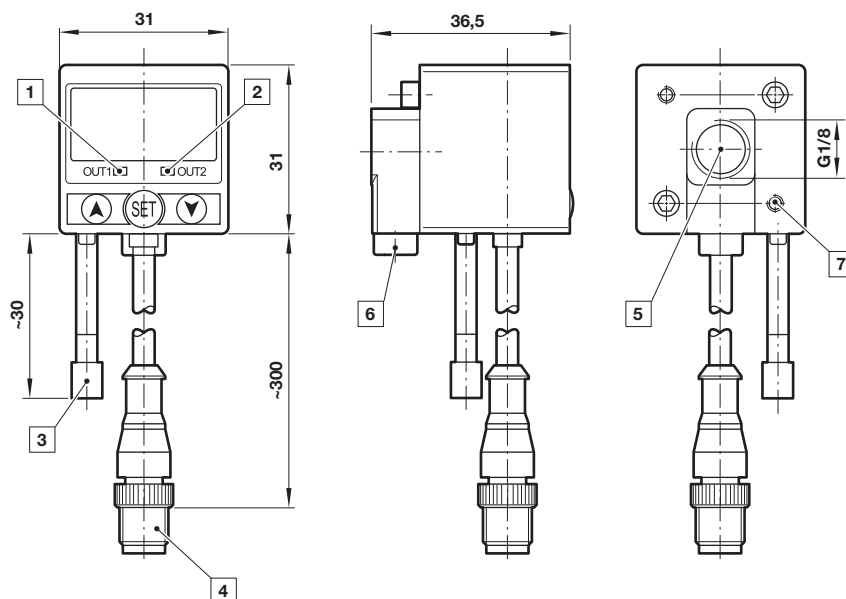
Pressure sensing block



Full flow porting block



Porting block for 18D pressure switch

18D Pressure switch

 Dimensions in mm
 Projection/Third angle

18D Porting block and 18D assembled

Pipe adaptor

51D Pressure switch - digital


- 1 Switch OUT 1, green LED
- 2 Switch OUT 2, red LED
- 3 Dustproof protector
- 4 Connector M12 x 1
- 5 Inlet port
- 6 Alternative inlet port G1/8 plugged
- 7 Thread for mounting screw

Warning

These products are intended for use in industrial compressed air systems only. Do not use these products where pressures and temperatures can exceed those listed under »**Technical features/data**«.

Before using these products with fluids other than those specified, for non-industrial applications, life-support systems or other applications not within published specifications, consult IMI Precision Engineering, Norgren Ltd.

Through misuse, age, or malfunction, components used in fluid power systems can fail in various modes. The system designer is warned to consider the failure modes of all component parts used in fluid power systems and to provide adequate safeguards to prevent personal injury or damage to equipment in the event of such failure.

System designers must provide a warning to end users in the system instructional manual if protection against a failure mode cannot be adequately provided.

System designers and end users are cautioned to review specific warnings found in instruction sheets packed and shipped with these products.