

- > Port size: 3/8" ... 3/4" (ISO G/PTF)
- > Excelon® Plus design allows in-line installation or modular installation with other Excelon® Plus products
- > 3/2 way function
- > Threaded exhaust port
- > Lockable in closed position with padlock



### Technical features

**Medium:**

Compressed air only

**Maximum supply pressure:**

20 bar (290 psi)

**Port size:**

 G3/8, G1/2, G3/4,  
3/8 PTF, 1/2 PTF, 3/4 PTF

**Flow:**

From IN to OUT ports:

 1/2": 162 dm³/s at 6,3 bar and  
Δp 0,5 bar pressure drop,  
1,8 dm³/s from OUT to exhaust  
port.

**Ambient/Media temperature:**

-20 ... +65°C (-4 ... +149°F)

 Air supply must be dry enough  
to avoid ice formation at  
temperatures below +2°C (+35°F).

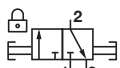
**Materials:**

Body: Die cast aluminium

Body covers: ABS

Elastomers: NBR

### Technical data T84T - standard models

Symbol	Port size	Function	Valve type	Exhaust port forms	Weight (kg)	Model
	G3/8	3/2	Ball valve	Exhaust port threaded G1/4	0,48	T84T-3GA-B1N
	G1/2	3/2	Ball valve	Exhaust port threaded G1/4	0,48	T84T-4GA-B1N
	G3/4	3/2	Ball valve	Exhaust port threaded G1/4	0,48	T84T-6GA-B1N

### Option selector

**T84T-★A-B1N**

Function	Substitute	Thread form	Substitute
3/2	T	PTF	A
		ISO G parallel (standard)	G
		<b>Port size</b>	<b>Substitute</b>
		3/8"	3
		1/2"	4
		3/4"	6

**Accessories**



<p><b>Wall mounting bracket</b></p>  <p><b>Page 4</b> 840024-50KIT</p>	<p><b>Quikclamp®</b></p>  <p><b>Page 4</b> 840014-51KIT</p>	<p><b>Quikclamp® with bracket assembled</b></p>  <p><b>Page 4</b> 840014-52KIT</p>	<p><b>Pressure sensing block 1/4 PTF</b></p>  <p><b>Page 5</b> 840016-50KIT</p>	<p><b>Pressure sensing block G1/4</b></p>  <p><b>Page 5</b> 840016-51KIT</p>
---	--	---	--	---

<p><b>Full flow porting block 3/4 PTF</b></p>  <p><b>Page 5</b> 840028-50KIT</p>	<p><b>Full flow porting block G3/4</b></p>  <p><b>Page 5</b> 840028-53KIT</p>	<p><b>Pressure switch interface block (18D pressure switch)</b></p>  <p><b>Page 5</b> 0337717000000000</p>	<p><b>Pneumatic pressure switch 18D (0,5 ... 8 bar) *1)</b></p>  <p><b>Page 5</b> 0881300</p>	<p><b>Digital pressure switch 51D (-1 ... 10 bar) *2)</b></p>  <p><b>Page 5</b> 0860810</p>
---	--	---	---	--

\*1) Flanged version. For other pressure ranges, please see data sheet 5.11.001  
 \*2) For other pressure ranges, please see data sheet 5.11.385

<p><b>Port Adaptors 3/8 PTF</b></p>  <p><b>Page 5</b> 840015-02KIT</p>	<p><b>Port Adaptors 1/2 PTF</b></p>  <p><b>Page 5</b> 840015-03KIT</p>	<p><b>Port Adaptors 3/4 PTF</b></p>  <p><b>Page 5</b> 840015-04KIT</p>	<p><b>Port Adaptors G3/8</b></p>  <p><b>Page 5</b> 840015-10KIT</p>	<p><b>Port Adaptors G1/2</b></p>  <p><b>Page 5</b> 840015-11KIT</p>	<p><b>Port Adaptors G3/4</b></p>  <p><b>Page 5</b> 840015-12KIT</p>
---	---	---	--	--	--

**Padlock**

<p><b>Padlock</b></p>  <p><b>840055-01KIT</b></p>	<p><b>Lockout device</b></p>  <p><b>840055-02KIT</b></p>
--	---

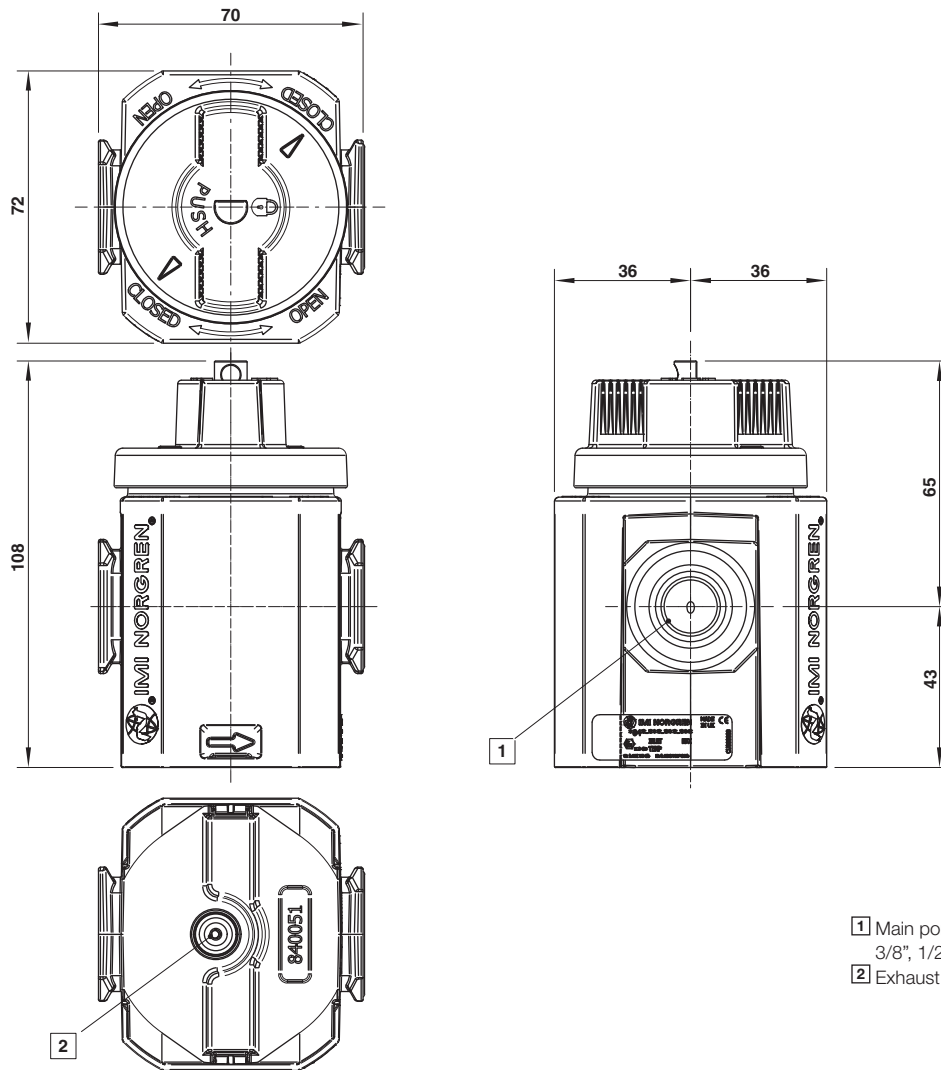
**Silencer**

<p><b>Porous plastic silencer *3) G1/4</b></p>  <p><b>M/S2</b></p>	<p><b>Plastic silencer *3) G1/4</b></p>  <p><b>0014600000000000</b></p>	<p><b>Sinter bronze silencer *3) 1/4 PTF</b></p>  <p><b>MS002A</b></p>
---	---	---

\*3) Max. pressure of silencers listed in this data sheet : 10bar. For pressure higher than 10bar please contact IMI Norgren

Dimensions

Dimensions in mm  
Projection/Third angle

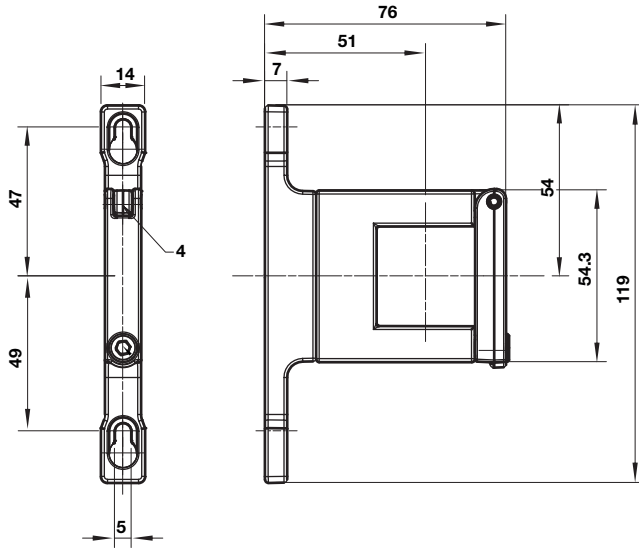


- 1 Main ports  
3/8", 1/2" OR 3/4" ISO G/PTF
- 2 Exhaust Port Rc1/4 or 1/4 PTF

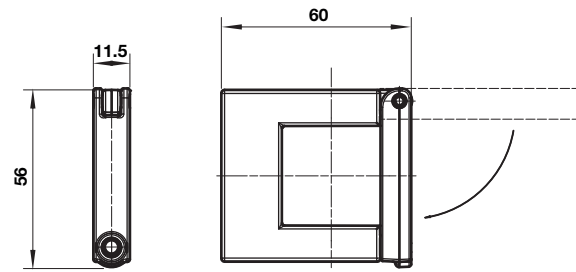
Accessories

Dimensions in mm  
Projection/Third angle

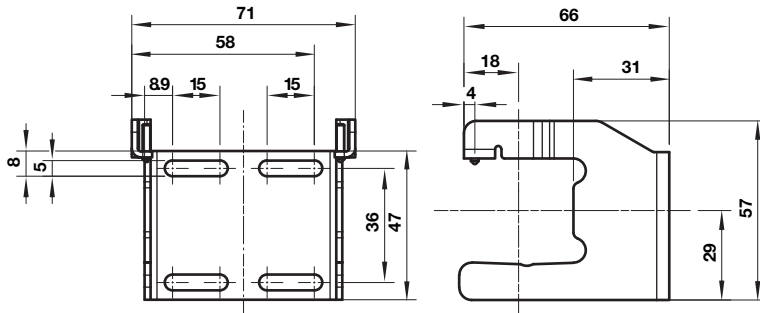
Quikclamp® with wall bracket



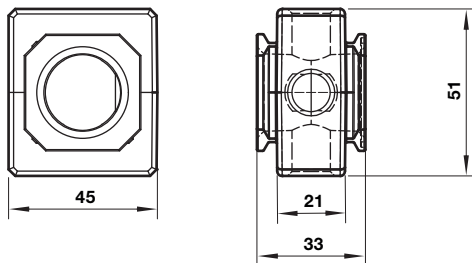
Quikclamp®



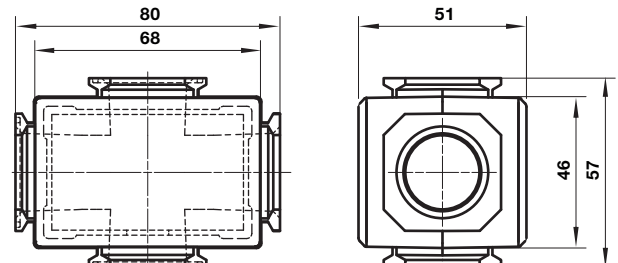
Mounting bracket

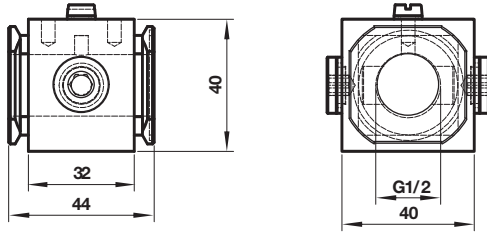


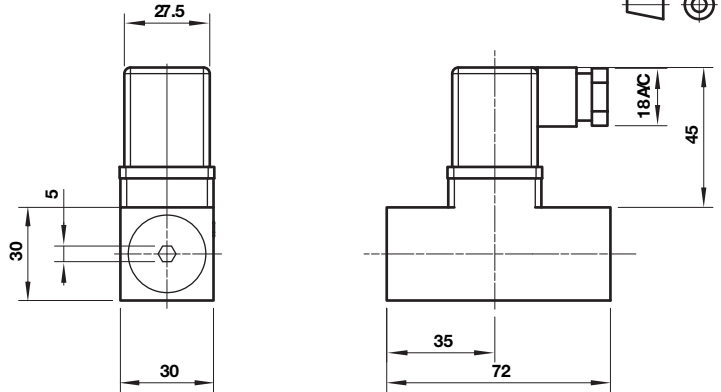
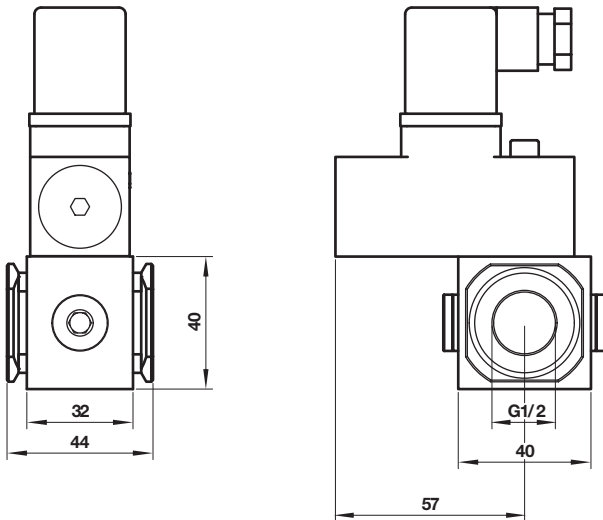
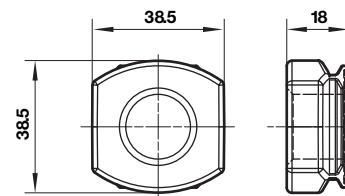
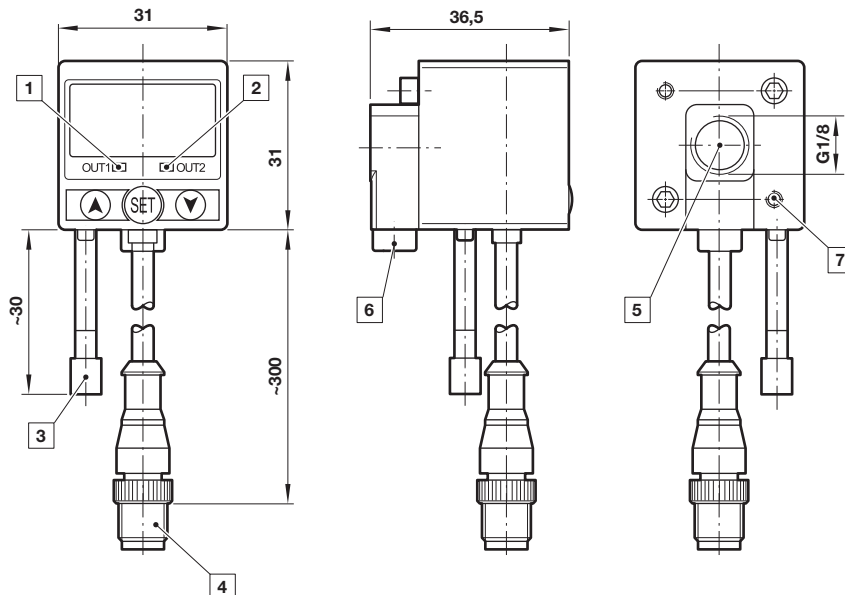
Pressure sensing block



Full flow porting block



**Porting block for 18D pressure switch**

**18D Pressure switch**

 Dimensions in mm  
 Projection/Third angle

**18D Porting block and 18D assembled**

**Pipe adaptor**

**51D Pressure switch - digital**


- 1 Switch OUT 1, green LED
- 2 Switch OUT 2, red LED
- 3 Dustproof protector
- 4 Connector M12 x 1
- 5 Inlet port
- 6 Alternative inlet port G1/8 plugged
- 7 Thread for mounting screw

Dimensions in mm  
Projection/Third angle



### Warning

These products are intended for use in industrial compressed air systems only. Do not use these products where pressures and temperatures can exceed those listed under »**Technical features/data**«.

Before using these products with fluids other than those specified, for non-industrial applications, life-support systems or other applications not within published specifications, consult IMI Precision Engineering, Norgren Ltd.

Through misuse, age, or malfunction, components used in fluid power systems can fail in various modes. The system designer is warned to consider the failure modes of all component parts used in fluid power systems and to provide adequate safeguards to prevent personal injury or damage to equipment in the event of such failure.

System designers must provide a warning to end users in the system instructional manual if protection against a failure mode cannot be adequately provided.

System designers and end users are cautioned to review specific warnings found in instruction sheets packed and shipped with these products.