

- > **Port size: 1/4" ... 3/4"**
(ISO G/PTF)
- > **Non-rising adjusting knob has snap-action lock**
- > **Diaphragm and balanced valve design ensure good regulation characteristics**



Technical features

Medium:

Compressed air only

Maximum operating pressure:

17 bar (246 psi)

Pressure range:

(standard)

0,3 ... 10 bar (4 ... 145 psi)

(optional)

0,4 ... 4 bar (5 ... 58 psi),

0,7 ... 17 bar (10 ... 246 psi)

Port sizes:

1/4", 3/8", 1/2" or 3/4"

Gauge port:

1/8 PTF with PTF main ports

Rc1/8 with ISO G main ports

Flow:

See table below

Relieving:

With (standard)

Non-relieving (optional)

Ambient/Media temperature:

-20° ... +80°C (-4° ... +176°F)

Version with gauge:

-20° ... +65°C (-4° ... +149°F)

Air supply must be dry enough to avoid ice formation at temperatures below +2°C (+35°F).

Materials:

Body and yoke: Zinc alloy

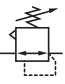
Connection piece: Aluminium

Bonnet: Aluminium

Adjusting knob: Acetal resin

Elastomers: NBR

Technical data, standard models with relieving

Symbol	Port size	Size	Pressure range (bar)	Flow * (dm³/s)	Adjustment	Weight (kg)	Model
	G1/4	—	0,3 ...10	35	Knob	1,63	R64G-2GK-RMN
	G3/8	—	0,3 ...10	80	Knob	1,61	R64G-3GK-RMN
	G1/2	Basic	0,3 ...10	120	Knob	1,59	R64G-4GK-RMN
	G3/4	—	0,3 ...10	120	Knob	1,87	R64G-6GK-RMN
	Without yoke	—	0,3 ...10	—	Knob	1,16	R64G-NNK-RMN

* Typical flow with 10 bar (145 psi) inlet pressure, and 6,3 bar (91 psi) set pressure and 1 bar (14.5 psi) drop from set.

Option selector

Port size	Substitute
1/4"	2
3/8"	3
1/2"	4
3/4"	6
Without yoke	N
Thread	Substitute
PTF	A
ISO G (standard)	G
Without yoke (standard)	N
Adjustment	Substitute
Knob (standard)	K
T-bar (0,7 ... 17 bar)	T *2)

R64G-★-★-★-★-★

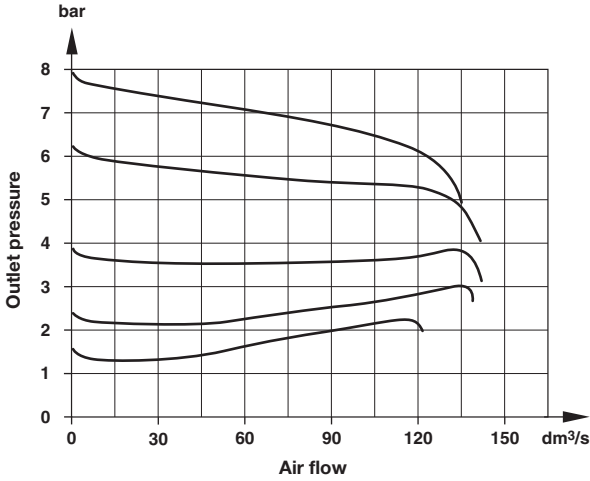
Gauge	Substitute
With	G
Without (standard)	N
Pressure range (bar) *1)	Substitute
0,3 ...10 (standard)	M
0,3 ... 4	F
0,7 ... 17	S*2)
Diaphragm	Substitute
Relieving (standard)	R
Non-relieving	N

*1) Outlet pressure can be adjusted to pressures in excess of and less than, those specified. Do not use these units to control pressures outside of the specified ranges.

*2) Units with 17 bar (246 psi) outlet pressure range are available only with the T-bar adjustment; therefore substitute T at the 7th digit and S at the 9th position.

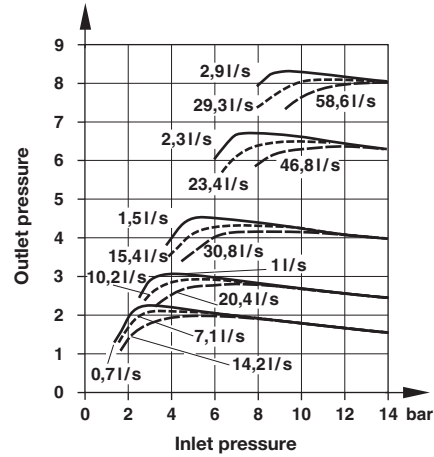
Flow characteristics

Inlet pressure: 10 bar, port size: 1/2"
Pressure range: 0,3 ... 10 bar



Regulating characteristics

Port size: 1/2"



Accessories, service kit and gauges



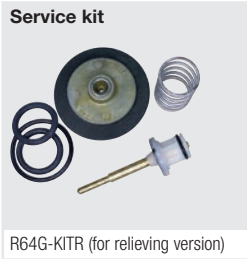
Accessories

	Models with G-thread Single yoke	Double yoke	3/2 Shut-off valve Threaded inlet only	Threaded outlet only	End connector kit	Rear entry bracket kit
Thread	5				2	8
G1/4	Y64A-2GA-N1N	Y64A-2GA-N2N	T64T-2GB-P1N	T64T-2GC-P1N	—	—
G3/8	Y64A-3GA-N1N	Y64A-3GA-N2N	T64T-3GB-P1N	T64T-3GC-P1N	—	—
G1/2	Y64A-4GA-N1N	Y64A-4GA-N2N	T64T-4GB-P1N	T64T-4GC-P1N	74505-50	—
G3/4	Y64A-6GA-N1N*	Y64A-6GA-N2N*	T64T-6GB-P1N	T64T-6GC-P1N	74505-53	18-026-981
1/4 PTF	Y64A-2AA-N1N	Y64A-2AA-N2N	T64T-2AB-P1N	T64T-2AC-P1N	—	—
3/8 PTF	Y64A-3AA-N1N	Y64A-3AA-N2N	T64T-3AB-P1N	T64T-3AC-P1N	—	—
1/2 PTF	Y64A-4AA-N1N	Y64A-4AA-N2N	T64T-4AB-P1N	T64T-4AC-P1N	74505-52	—
3/4 PTF	Y64A-6AA-N1N*	Y64A-6AA-N2N*	T64T-6AB-P1N	T64T-6AC-P1N	74505-55	—

*These yokes are supplied with two end connector kits as standard.

Bracket mounting  1 74504-50	Nut  4 74502-89	Tamper resistant cap & seal wire  3 4355-51	Yoke connector kit  9 74503-51	Porting block  74507-50	Adjustable pressure switch  4346-99	Padlock with two keys  0613633 (brass)
--	---	---	--	--	---	--

Service kit



Gauges

Center back connection, white face (full technical specification see datasheet 8.900.900)



6

Pressure range bar *1	MPa	psi	Ø	Thread size	Model
0 ... 4	0 ... 0,4	0 ... 58	50 mm	R1/8	18-013-011
0 ... 10	0 ... 1	0 ... 145	50 mm	R1/8	18-013-013
0 ... 25	0 ... 2,5	0 ... 362	50 mm	R1/8	18-013-014

*1) primary scale

Center back connection, black face for North America (full technical specification see datasheet 8.900.900)



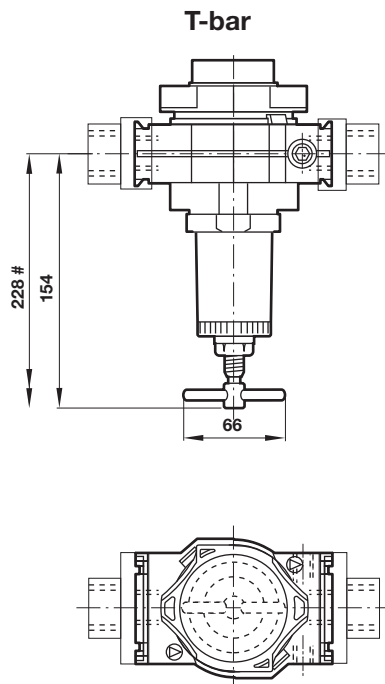
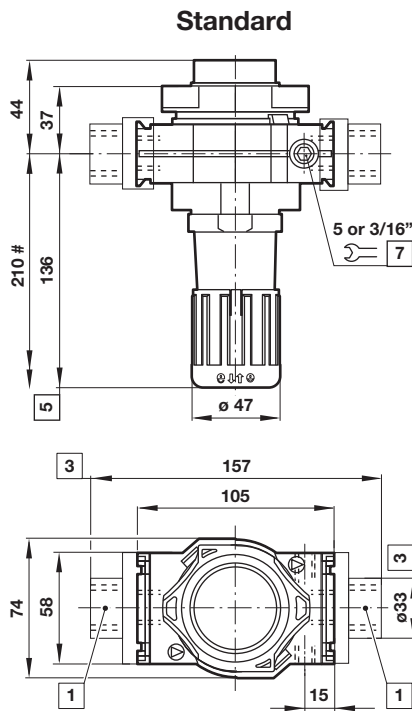
6

Pressure range psig *1	bar	MPa	Ø	Thread size	Model
0 ... 60	0 ... 4	0 ... 0,4	2" (50 mm)	1/8 NPT	18-013-202
0 ... 160	0 ... 11	0 ... 1,1	2" (50 mm)	1/8 NPT	18-013-204
0 ... 400	0 ... 28	0 ... 2,8	2" (50 mm)	1/8 NPT	18-013-206

*1) primary scale

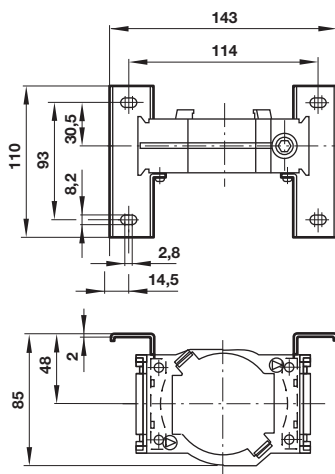
Basic dimensions

Dimensions in mm
Projection/First angle

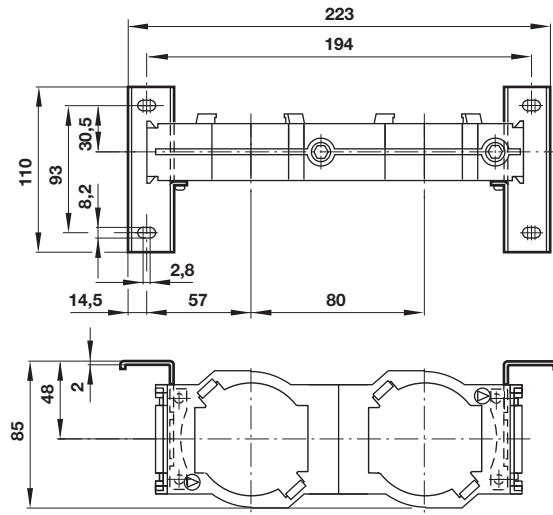


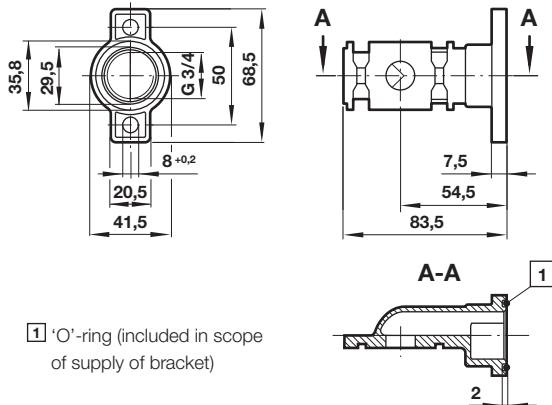
- # Minimum clearance required to remove unit from yoke
- 1 Main ports 1/4", 3/8", 1/2" or 3/4"
 - 3 For main ports 3/4" only
 - 5 Reduces by 4 mm with knob in locked position
 - 7 Gauge port

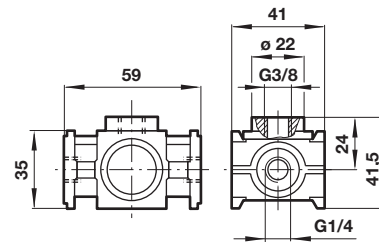
Single yoke with bracket mounting



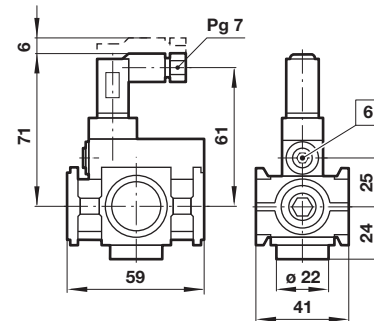
Double yoke with bracket mounting



**Rear entry bracket
18-026-981**

**Porting block
74507-50**

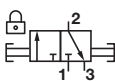
 Dimensions in mm
Projection/First angle

**Adjustable pressure switch
4346-99**

Voltage	24 V d.c./240 V a.c.
Current	0,5 A (d.c.); 5 A (a.c.)
Pressure range	2 ... 10 bar
Repeatability	2% of full set point range at 20°C
Average deadband	0,8 ... 1,7 bar
Electrical connection (corresponding to choosen coil)	EN 175301-803 - Form C, 15 mm
Degee of protection:	IP65
Adjustable	Standard
Material	Body: Aluminium, Elastomers: NBR

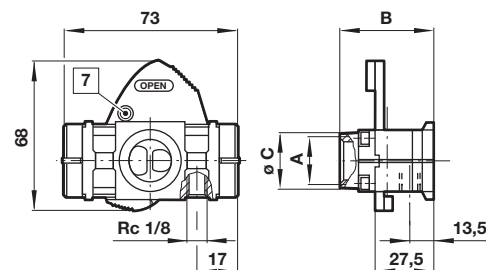


6 Adjusting screw

3/2 Shut-off valve

Symbol	A	B	ø C	Model
	G1/4	48	27	T64T-2G*-P1N
	G3/8	48	27	T64T-3G*-P1N
	G1/2	48	27	T64T-4G*-P1N
	G3/4	51	33	T64T-6G*-P1N

* B = Threaded inlet only, C = Threaded outlet only



7 Padlock hole 7,5 mm

Warning

These products are intended for use in industrial compressed air systems only. Do not use these products where pressures and temperatures can exceed those listed under

»Technical features/data«.

Before using these products with fluids other than those specified, for non-industrial applications, life-support systems or other applications not within published specifications, consult IMI Precision Engineering, IMI International s.r.o.

Through misuse, age, or malfunction, components used in fluid power systems can fail in various modes.

The system designer is warned to consider the failure modes of all component parts used in fluid power systems and to provide adequate safeguards to prevent personal injury or damage to equipment in the event of such failure.

System designers must provide a warning to end users in the system instructional manual if protection against a failure mode cannot be adequately provided.

System designers and end users are cautioned to review specific warnings found in instruction sheets packed and shipped with these products.