

- > **Port size: G3/4, G1**
- > **Protect compressed air systems from over-pressurisation**

- > **40AC pilot operated units can be installed at any point in the compressed air system without regard to accessibility – pilot regulator can be installed in the most convenient location**

Norgren pressure relief valves comply with category 0(S.E.P.) and category 1 of the Pressure Equipment Directive 97/23/EC. If categories 2, 3 or 4 products are required contact our Technical Services.



Technical features

Medium:

Compressed air only

Relief pressure adjustment range:

0,14 ... 16 bar (2 ... 232 psi)

Port sizes:

G3/4, G1

Pilot port:

R1/4

Gauge port:

G1/8

Relief port:

As inlet port

Flow direction:

According to the direction of arrow on housing

Ambient/Media temperature:

-20 ... +80°C (-4° ... +176 °F)

Version with gauge:

-20° ... +65°C (-4° ... +149°F)

Air supply must be dry enough to avoid ice formation at temperatures below +2°C (+35 °F).

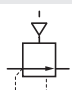
Materials:

Body: Zinc alloy

Bonnet: Aluminium alloy.

Elastomers: NBR

Technical data, standard model

| Symbol | Port size | Relief pressure adjustment range (bar) (psi) | | Weight (kg) | Model |
|---|-----------|--|-----------|-------------|--------------|
|  | G3/4 | 0,14 ... 16 | 2 ... 232 | 1,6 | 40AC-6/PX100 |
| | G1 | 0,14 ... 16 | 2 ... 232 | 1,55 | 40AC-8/PX100 |

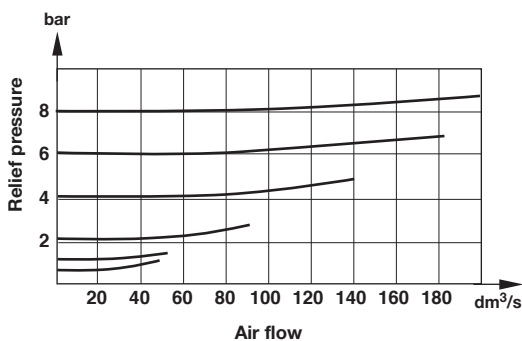
Operating pressure range may be restricted by piloting regulator or controlled air supply. For pilot operator use regulator type 11-400.

Feedback pilot regulators should never be used in conjunction with pilot operated relief valves.

Note: Use of these units outside of their operating pressure ranges could lead to product malfunction and should not be attempted.

Relief flow characteristics

Port size: 3/4"



Accessories

Wall mounting bracket



18-001-027

Service kit

Service kit



40AC-100

Gauge

Center back connection, white face (for full technical specification see datasheet 8.900.900)



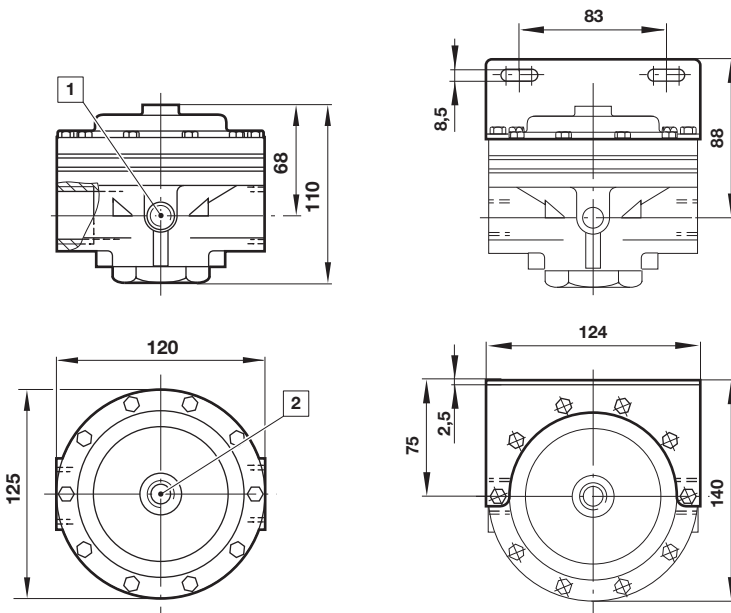
| Pressure range bar *1 | MPa | psi | Ø | Thread size | Model |
|-----------------------|------------|-----------|-------|-------------|------------|
| 0 ... 1,6 | 0 ... 0,16 | 0 ... 23 | 50 mm | R1/8 | 18-013-010 |
| 0 ... 4 | 0 ... 0,4 | 0 ... 58 | 50 mm | R1/8 | 18-013-011 |
| 0 ... 10 | 0 ... 1 | 0 ... 145 | 50 mm | R1/8 | 18-013-013 |
| 0 ... 25 | 0 ... 2,5 | 0 ... 362 | 50 mm | R1/8 | 18-013-014 |

*1) primary scale

Dimensions

Bracket mounting

Dimensions in mm
Projection/First angle



- 1 Gauge port Rc1/8 plugged
- 2 Pilot port Rc1/4

Warning

These products are intended for use in industrial compressed air systems only. Do not use these products where pressures and temperatures can exceed those listed under »Technical features/data«.

Before using these products with fluids other than those specified, for non-industrial applications, life-support systems or other applications not within published specifications, consult IMI NORGREN.

Through misuse, age, or malfunction, components used in fluid power systems can fail in various modes.

The system designer is warned to consider the failure modes of all component parts used in fluid power systems and to provide adequate safeguards to prevent personal injury or damage to equipment in the event of such failure.

System designers must provide a warning to end users in the system instructional manual if protection against a failure mode cannot be adequately provided.

System designers and end users are cautioned to review specific warnings found in instruction sheets packed and shipped with these products.