

D973

Spring loaded regulator

- > **Port size:**
G3/8 or
9/16-18 UNF for 3/8"
HP tubing
- > **Robust design**
- > **Reliable operation and long lifetime**
- > **Customisable to individual application**
- > **Designed and built according PED 2014/68/EU**



Technical features

Medium:

D973 is a piston sensed spring loaded pressure regulator used for quick control of outlet pressure. Heavy duty construction accurate and reliable, ideal for high pressure applications, arduous conditions and harsh environments. Wide range of possible applications. Additional features can provide a variety of possible solutions. The heavy duty construction makes the D973 perfect for arduous conditions and harsh environments. Suitable for medium and high pressure.

Applications:

- H2 Refuelling Stations
- Gas distribution/mixing
- Pressure test rigs
- Marine industries
- Off shore / aggressive environments
- Oxygen use approved
- Compressor regulation
- Air, O2, CH4 compressor

Medium:

Air, N2, O2, Ar, CH4, H2, C2H2, CO2, N2O

Maximum inlet pressure:

700 bar (10.152 psi)
1.000 bar (14.503 psi)

Outlet pressure range:

30 ... 700 bar (435 ... 10.152 psi)

Leakage:

Internal leakage: $<10^{-3}$ mbar.l/s
External leakage: $<10^{-4}$ mbar.l/s

Weight:

3,8 kg

Ambient/Media temperature:

-20 ... +50°C (-4 ... +122°F) (NBR)
-40 ... +99°C (-40 ... +210°F) (EPDM)

Note:

Recommended filter (upstream)
F509I Option 1001 or F581I
Recommended fittings:
T1563 (G3/8") T2123 3/8" OD
SFX

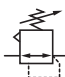
Flow:

KV up to 0,030 m³/h
CV up to 0,035 gal/min

Material:

Body: Brass; Stainless Steel
Valve insert: PCTFE, Peek, Torlon, Vespel, Monel or stainless steel
Seat: PCTFE, Peek, Torlon, Vespel, Monel or stainless steel

Technical data

Symbol	Outlet pressure range		Max. inlet pressure		Seat Material	
	(bar)	(psi)	(bar)	(psi)		
	30 ... 160	435 ... 2.321	700	10.153	PEEK	D973 I U 51 NI P 1000
	50 ... 350	725 ... 5.076	700	10.153	PEEK	D973 I U 70 NI P 1000
	50 ... 500	725 ... 7.252	1000	14.504	PEEK	D973 I V 74 NI P 1000
	100 ... 700	1450 ... 10.153	1000	14.504	PEEK	D973 I V 75 NI P 1000

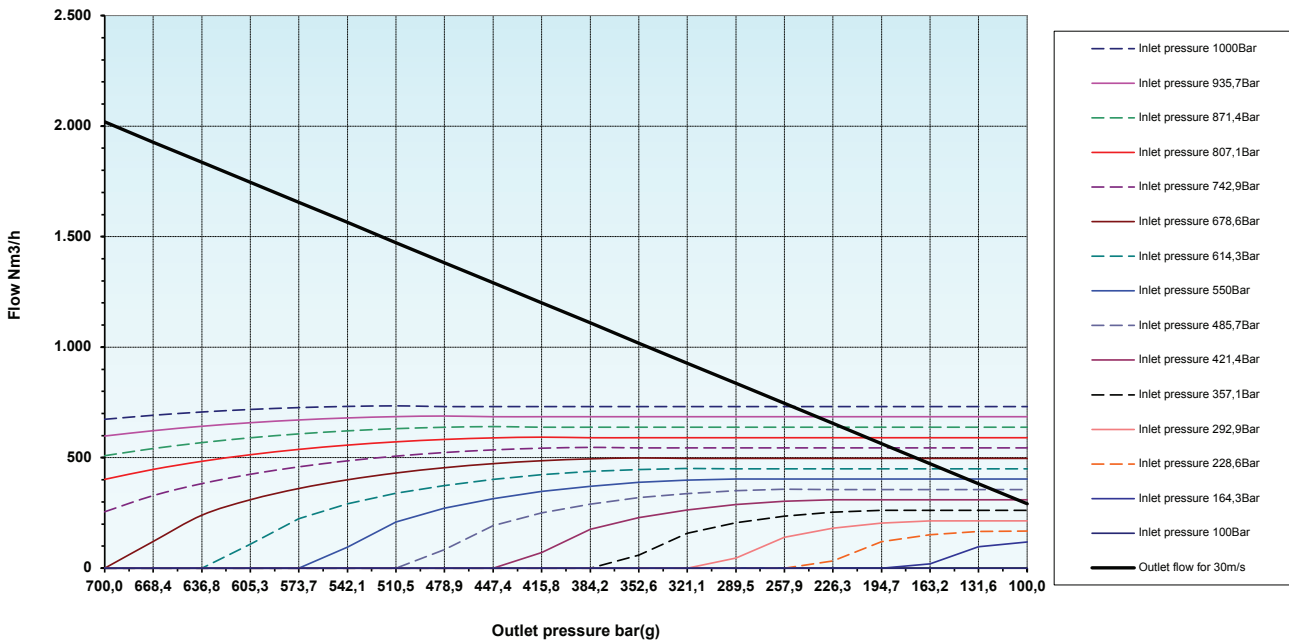
Option selector

Max. inlet pressure	Substitute
700 bar	U
1000 bar	V
Outlet pressure range	Substitute
30 ... 160 bar	51
50 ... 250 bar	60
50 ... 350 bar	70
50 ... 500 bar	74
100 ... 700 bar	75
O-ring type	Substitute
NBR	N
EPDM	E
Seat material	Substitute
PCTFE	K
Peek	P
Torlon	T

D973I★★★★I★★★★

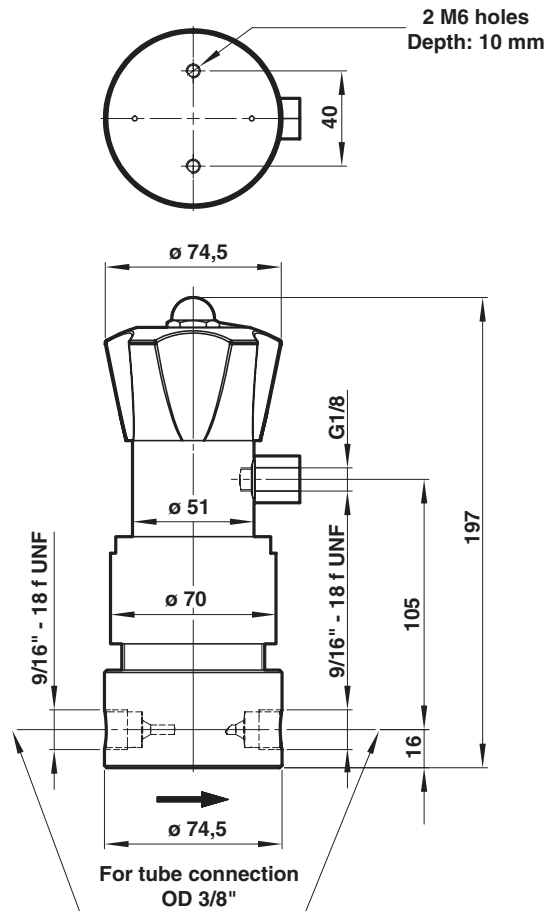
Main options	Substitute
Standard version	1000
Without relief valve	1001
Without relief valve G3/8 threaded ports	1061
Without relief valve G3/8 threaded ports Cylinder/piston ring: Furonseal	1239

Flow curves for D973 Spring Regulator
N₂ Internal Ø 1,5 mm - Outlet 3/8"



Dimensions

Dimensions in mm
Projection/First angle



Warning

Do not use these products where pressures and temperatures can exceed those listed under »**Technical features/data**«.
Before using these products with fluids other than those specified, for non-industrial applications, life-support systems or other applications not within published specifications, consult Norgren, IMF sas.

Through misuse, age, or malfunction, components used in fluid power systems can fail in various modes. The system designer is warned to consider the failure modes of all component parts used in fluid power systems and to provide adequate safeguards to prevent personal injury or damage to equipment in the event of such failure. System designers must provide a warning to end users in the system instructional manual if protection against a failure mode cannot be adequately provided. System designers and end users are cautioned to review specific warnings found in instruction sheets packed and shipped with these products.