

- > Port size: 1/4" to 1" NPT
- > Direct lift construction
- > Anti-water hammer
- > Compact design
- > General purpose coils



### Technical features

**Media:**

Neutral gases and liquids

**Switching function:**

Normally closed

**Type:**

Direct lift

**Mounting position:**

Optional, preferably solenoid vertical on top

**Flow:**

Arrow on body bottom indicates flow direction

**Material:**

Body: Brass (CW617N)

Seat seal: NBR

FKM, EPDM available

Internal parts: Stainless steel,

PVDF, Copper

For contaminated fluids insertion of a strainer is recommended.

**Coil enclosure:**

ANSI/NEMA 4, 4X

**Electrical connection:**

1/2" conduit hub w/24" leads

DIN 43560 A

**Duty cycle:**

100%

**Coil:**

Class H

Voltage range: ±10%

**Fluid temperature:**

14°F to 194°F (-10°C to 90°C)

**Ambient temperature:**

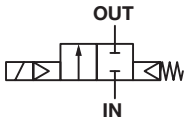
14°F to 122°F (-10°C to 50°C)

**Agency approvals:**

Coil: UL 429, CSA

CE

### Technical data - standard models

Symbol	Port size NPT	Orifice (inch)	Flow (Cv)	Operating pressure* (PSI)	Weight (lbs)	Model
	1/4	5/16	2.3	0 to 60	1.0	8264000.xxxx.xxxxx
	3/8	3/8	3.6	0 to 60	1.0	8264100.xxxx.xxxxx
	1/2	1/2	4.5	0 to 60	1.1	8264200.xxxx.xxxxx
	3/4	3/4	7.3	0 to 60	1.4	8264300.xxxx.xxxxx
	1	1	11.4	0 to 60	2.1	8264400.xxxx.xxxxx

xxxx.xxxxx See chart for coil and voltage code

\* For gases and liquid fluids up to 25 mm<sup>2</sup>/s (cSt).

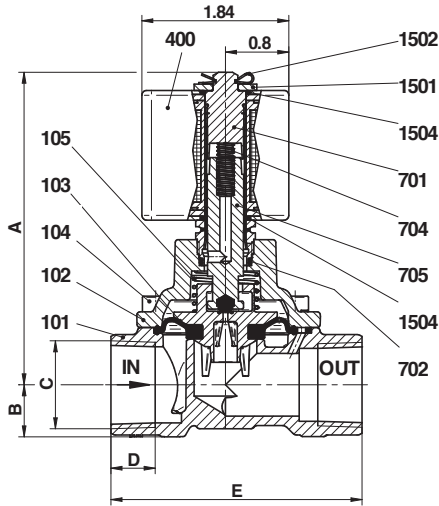
**Option selector**

8264★ ★ ★ . ★ ★ ★ ★ . ★ ★ ★ ★ ★

Port size	Substitute
1/4	0
3/8	1
1/2	2
3/4	3
1	4
Valve options	Substitute
Seat seal NBR, Fluid temperature 14°F to 194°F (-10°C to 90°C)	00
Seat seal FKM, Fluid temperature 23°F to 230°F (-5°C to 110°C)	03
Seat seal EPDM, for hot water Fluid temperature 14°F to 230°F (-10°C to 110°C)	14

Voltage volts	Frequency hertz	Nominal Power DC (watts)	AC (watts)	Part number code
12	–	11.0	–	01200
24	–	9.3	–	02400
120	60	–	7.9	12060
Solenoid options				Substitute
1/2" conduit with leads				6852
DIN connection				6850

**Section view**



No.	Description
101	Valve body
102	Valve cover
*103	Diaphragm
104	Allen head screw
*105	Pressure spring
400	Solenoid
701	Core tube
*702	O-ring
*704	Pressure spring
*705	Plunger
1501	Washer
1502	Spring clip
1504	O-ring

\* These individual parts form a complete repair kit. When ordering repair kits please state Model No. and Series No.

**Dimensions\* (inches)**

Port size	A	B	C	D	E	Type
1/4"	3.75	0.45	1/4" NPT	0.40	2.36	8264000.xxxx.xxxxx
3/8"	3.75	0.45	3/8" NPT	0.41	2.36	8264100.xxxx.xxxxx
1/2"	3.75	0.55	1/2" NPT	0.54	2.64	8264200.xxxx.xxxxx
3/4"	3.92	0.65	3/4" NPT	0.56	3.15	8264300.xxxx.xxxxx
1"	4.11	0.81	1" NPT	0.66	3.74	8264400.xxxx.xxxxx

\* Outline drawing is part number 8264300, other dimensions are not to scale.

**Warning**

Improper selection, misuse, age or malfunction of components used in systems can cause failure in various modes. The system designer is warned to consider the failure modes of all component parts and to provide adequate safeguards to prevent personal injury or damage to equipment or property in the event of such failure modes. System designers and end users are cautioned to consult instruction sheets and specifications available from the factory. The system designer/end user is responsible for verifying that all requirements for the application are met.

**Warranty**

The products described herein are warranted subject to seller's Standard Terms and Condition of Sale, available at seller's website.

**Proposition 65:** These products may contain chemicals known to the state of California to cause cancer, or birth defects, or other reproductive harm.