

# Acro PN200 Series Pneumatic Pinch Valves

The NEW PN200 Series pneumatic pinch valves from Acro are designed to provide an alternative to traditional wetted valves. The valve operates by opening and closing tubes to control the flow of various medias. With a unique, compact construction, this pinch valve offers an affordable option without compromising on quality. Capabilities range from tube sizes starting at 3/32" up to 1/2".

An affordable and compact pinch valve line is an ideal fit for the life sciences market segments such as medical devices, biotechnology, diagnostics and pharmaceuticals where high quantities are necessary and unit price is critical. PN200 Series valves are designed for applications where sterility and washdown procedures are crucial. Valves can be mounted with various mounting brackets and can be configured with an optional mount.

## Features and Benefits

- > Lightweight, compact, powerful and cost-effective
- > Easy cleaning (just throw away the tubing)
- > Simple and fast tube replacement
- > Eliminate potential contamination of media
- > Long performance and reliability
- > Specifically designed for disposable tubing
- > Valve body is not affected by the corrosiveness of the fluids
- > Linear flow
- > Tube materials: silicone, c-flex, tygon

## Markets

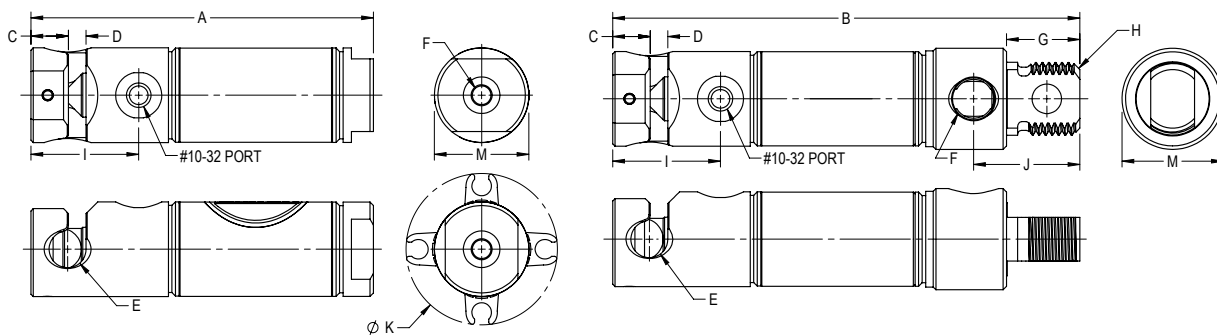
- > Biotechnology
- > Pharmaceuticals
- > Medical devices
- > Diagnostics
- > Bioreactors
- > Bioprocessing single use technology
- > Process equipment
- > Food and Beverage
- > Filtration, TFF (Tangential Flow Filtration)
- > Chromatography - analysers
- > Chemical processing equipment

## Pinch Valve Specifications

Specifications	Aluminum and Stainless Steel Models			
	PN202	PN204	PN206	PN208
Tube Size, O.D. Supported - Inch (mm)*	0.094 to 0.125 (2.36 to 3.17)	0.156 to 0.250 (4.78 to 6.35)	0.250 to 0.375 (6.35 to 9.5)	0.375 to 0.500 (9.5 to 12.7)
Tube Wall Thickness Supported - Inch (mm)*	0.031 min. (0.78)	0.063 min. (1.6)	0.063 min. (1.6)	0.063 min. (1.6)
Media Pressure, Maximum - psig (barg)	30 (2.07)	30 (2.07)	30 (2.07)	30 (2.07)
Recommended Tubing Durometer**	Up to 65 Shore A	Up to 65 Shore A	Up to 65 Shore A	Up to 65 Shore A
Default (Normal) State	NC and NO	NC and NO	NC and NO	NC and NO
Pinch Gap - Inch (mm)	0.040 (1.016)	0.080 (2.032)	0.080 (2.032)	0.080 (2.032)
Total Opening Nominal - Inch (mm)	0.125 (3,2)	0.250 (6,4)	0.375 (9,5)	0.500 (12,7)
Pinching Force Nominal - LbF (kgF)	Up to 1.8 (0.82)	Up to 4.5 (2.04)	Up to 6.9 (3.13)	Up to 12.2 (5.53)
Min. to Max. Ambient Temperature - F° (C°)	-20° to 200°F (-29° to 90°C)	-20° to 200°F (-29° to 90°C)	-20° to 200°F (-29° to 90°C)	-20° to 200°F (-29° to 90°C)

\*Other tubing wall thickness and diameters can potentially be used. Please contact factory with any questions

\*\*Tube material dependent



Model	A	B	C	D	E	F	G	H*	I	J	K	M
PN202	2.418	2.887	0.258	0.07	0.188	#10-32	0.437	7/16-20	0.73	0.563	1.06	0.62
PN204	2.920	3.983	0.320	0.15	0.315	1/8 NPT	0.625	5/8-18	0.92	0.906	1.26	0.86
PN206	3.685	4.560	0.528	0.19	0.438	1/8 NPT	0.625	5/8-18	1.32	0.906	1.60	1.12
PN208	4.498	5.622	0.625	0.25	0.625	1/8 NPT	0.812	3/4-16	1.59	1.187	1.79	1.33

\*Intended for use as a stud mount, pivot is not recommended.

## Ordering Information

# PN202 - S02 - X\_M

Series	Type	Tube Slot Size	Mounting	End Cap Material	Options
PN202 PPV, 0.125" Tube OD	S Normally Open	02 0.125" OD	Blank Basic, no mount	Blank Aluminum	F FDA Seals and Lube <sup>2</sup>
PN204 PPV, 0.250" Tube OD	R Normally Closed	04 0.250" OD		S Stainless Steel <sup>1</sup>	M Magnet
PN206 PPV, 0.375" Tube OD		06 0.375" OD	X Threaded Rear Stud		T1 Switch Track, position 1 <sup>4</sup>
PN208 PPV, 0.500" Tube OD		08 0.500" OD			T2 Switch Track, position 2 <sup>4</sup>
					T3 Switch Track, position 3 <sup>4</sup>
					T4 Switch Track, position 4 <sup>4</sup>
					V Viton Seals <sup>3</sup>

<sup>1</sup>Stainless Steel end cap option is not compatible with T1, T2, T3, or T4 switch tracks

<sup>2</sup>Cannot be ordered with Viton Seals

<sup>3</sup>Cannot be ordered with FDA Seals and Lube. If ordered with "M" option, magnet is not reliable above 200°F

<sup>4</sup>A maximum of two track options can be ordered together

Due to our policy of continuous development, IMI Precision Engineering reserve the right to change specifications without prior notice.

Visit [www.imi-precision.com](http://www.imi-precision.com)