



- > **Screw-on bowl reduces maintenance time**
- > **Protects air operated devices by removing liquid and solid contaminants**
- > **Can be serviced without the use of tools or removal from the air line**
- > **Optional visual service indicator turns from green to red when the filter element needs to be cleaned or replaced**



Technical data

Fluid:

Compressed air, neutral gases
 NOTE: Contact technical support for use with other media.

Maximum pressure:

250 psig (17 bar)

Operating temperature*

-30° to 175°F (-34° to 80°C)
 *Air supply must be dry enough to avoid ice formation at temperatures below 35°F (2°C)

Air quality:

Within ISO 8573-1, Class 6 and Class 7 (particulates)

Nominal bowl size:

1 quart (1 liter)
 1 pint (0.5 liter)

Manual drain connection:

1/8-27 and 1/8-28 female pipe thread.

Automatic drain connection:

1/8-27 and 1/8-28 male pipe thread
 Flexible tube with 3/16" (5 mm) minimum I.D. can be connected to the automatic drain. Drain may fail to operate if the tube I.D. is less than 3/16" (5 mm). Avoid restrictions in the tube.

Automatic drain operating conditions (float operated):

Bowl pressure required to close drain: Greater than 5 psig (0.3 bar)
 Bowl pressure required to open drain: Less than 3 psig (0.2 bar)
 Minimum air flow required to close drain: 2 scfm (1 dm³/s)
 Manual operation: Depress pin inside drain outlet to drain bowl.

Materials:

Body: aluminum
 Bowl: aluminum
 Bowl sight glass: Pyrex
 Elastomers: chloroprene, nitrile

Filter element, Quart Bowl:

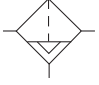
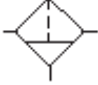
Sintered bronze: 5 µm
 Sintered bronze: 40 µm

Filter element, Pint Bowl:

5 µm Polypropylene
 40 µm Polypropylene

Ordering information

Models listed include automatic drain, 40 µm element, metal bowl with sight glass, and PTF threads.

| ISO Symbols | Port Size | Model Numbers | Flow scfm (dm³/s)* | Weight lbs (kg) | Filter elements** | Service kit†† |
|---|-----------|---------------|--------------------|-----------------|-------------------|-----------------------|
|   Auto Drain Manual Drain | 3/4" | F17-600-A3DA | 325 (153) | 4.26 (1.93) | 5311-01 (5µm) | 5578-05 (all filters) |
| | 1" | F17-800-A3DA | 425 (201) | 4.15 (1.88) | 5311-03 (40µm) | |
| | 1-1/4" | F17-A00-A3DA | 425 (201) | 4.39 (1.99) | | |
| | 1-1/2" | F17-B00-A3DA | 425 (201) | 4.30 (1.95) | | |

* Typical flow with a 40 µm element at 90 psig (6.3 bar) inlet pressure and 5 psig (0.35 bar) pressure drop.

** Filter elements are sintered bronze

†† Service kit includes bowl o-ring, drain gasket, and element gasket.

Alternative Models

F17-★0★-★★★★

| Port Size | Substitute |
|-----------|------------|
| 3/4" | 6 |
| 1" | 8 |
| 1-1/4" | A |
| 1-1/2" | B |

| Service indicator | Substitute |
|-------------------|------------|
| With (visual) | 1 |
| Without | 0 |


| Threads | Substitute |
|---|------------|
| PTF | A |
| BSPP (1-1/2" ported units only)* | C |
| ISO G parallel (not available with 1-1/2" ported units) | G |

| Bowl | Substitute |
|---|------------|
| 1 quart (1 liter) metal with sight glass | D |
| 1 quart (1 liter) metal | M |
| 1 pint (0.5 liter) metal with sight glass | H |




| Element | Substitute |
|---------|------------|
| 5 µm | 1 |
| 40 µm | 3 |

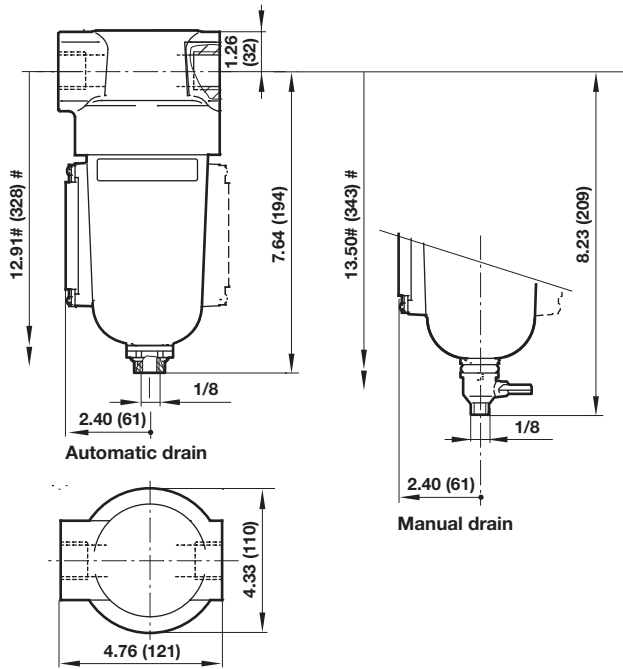
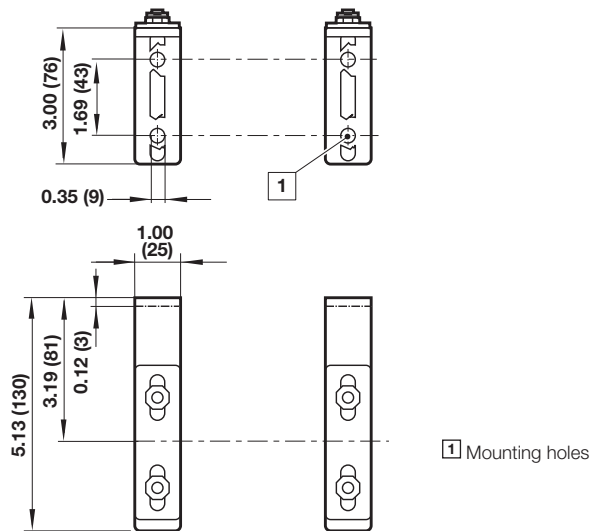
| Drain | Substitute |
|-----------------|------------|
| Automatic | A |
| Manual 1/4 turn | M |

Accessories

| Port size | Wall mounting bracket |
|-----------|---|
| |  |
| 3/4" | 6212-50 |
| 1" | 6212-50 |
| 1 1/4" | 6212-51 |
| 1 1/2" | 6212-51 |

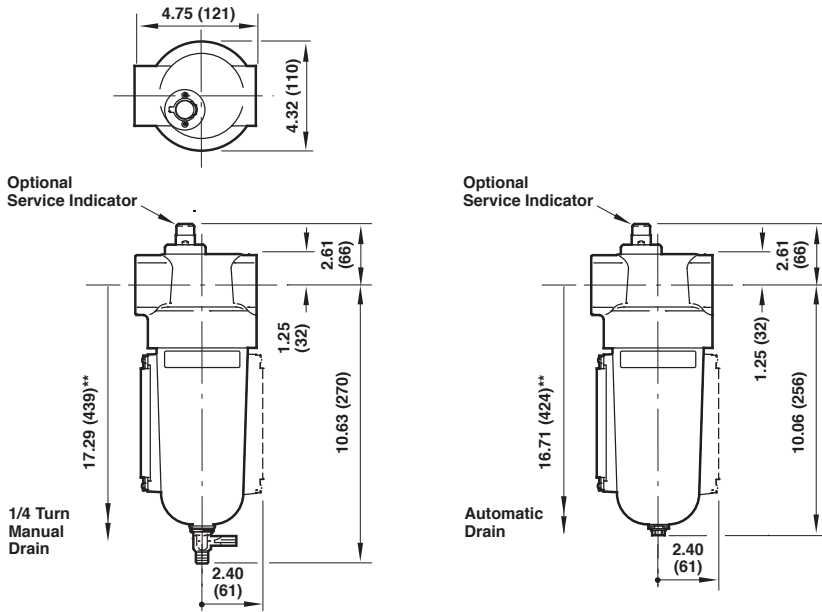
Service Kits

| Service Kits | Replacement elements | Replacement elements Filter element short (Standard) | Replacement drain | 40 µm pint bowl drain kit | 40 µm pint bowl drain kit |
|--|---|---|---|---------------------------|---------------------------|
|  |  |  | | | |
| 5578-05 | 5 µm: 5311-01 40 µm: 5311-03 | 5 µm: 5511-01 40 µm: 5576-03 | Automatic: 3000-70 Manual (1/4 turn): 619-50 | F17-100A | F17-100M |

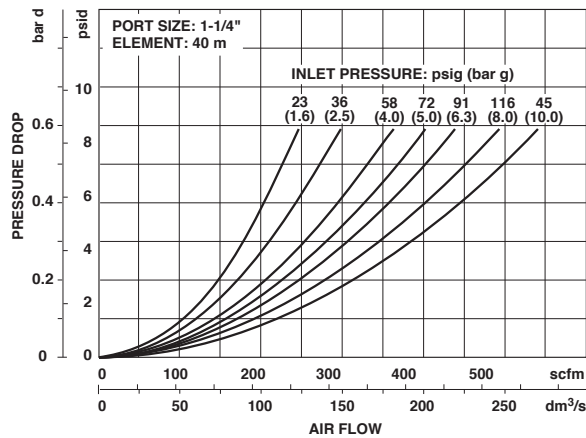
Pint Bowl Dimensions
Dimensions

Product Alternative: F68
Wall mounting brackets
6212-50, 6212-51


Quart Bowl Dimensions

Dimensions in inches (mm)
 Projection/First angle



Typical Performance Characteristics



Warning

Improper selection, misuse, age or malfunction of components used in systems can cause failure in various modes. The system designer is warned to consider the failure modes of all component parts and to provide adequate safeguards to prevent personal injury or damage to equipment or property in the event of such failure modes. System designers and end users are cautioned to consult instruction sheets and specifications available from the factory. The system designer/end user is responsible for verifying that all requirements for the application are met.

Warranty

The products described herein are warranted subject to seller's Standard Terms and Condition of Sale, available at seller's website.

Proposition 65: These products may contain chemicals known to the state of California to cause cancer, or birth defects, or other reproductive harm.