

2/2-way valves ND 8 to 12



For neutral gaseous and liquid fluids
Solenoid actuated, with forced lifting
Diaphragm valves
Internal threads G ¼ to G ½
Operating pressure 0 to 15 bar



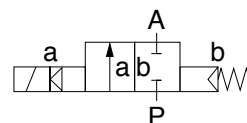
Publication 7500961.06.04.94
Catalogue index
A 5
09 275 series

Description (standard valve)

Solenoid valve for air, water and oil

Flow direction: determined
Fluid temperature: max. +80 °C
Ambient temperature: max. +55 °C
Sum of fluid and ambient temperature: max. +100 °C
Mounting position: optional, preferably solenoid vertical on top
Material Body: Brass
Seat seal: NBR

For contaminated fluids insertion of a strainer is recommended (see accessories).



Features

- Damped operation
- Short assembly dimension
- Easily interchangeable solenoid
- Suitable for vacuum

Switching function:
Normally closed

Characteristic data

ND [mm]	Connection (Thread acc. to DIN 228/1)		Operating pressure [bar]				k _v -value ¹⁾ (Base m ³ /h)	Weight [kg]	Dimension table no	Cat no	
			min.	max. with fluid		gaseous				liquid up to	
				1 mm ² /s (cSt)	25 mm ² /s (cSt)						DC or AC XX XXX XX.XXXX
8	G ¼		0	15	15	10	1.6	0.85	01	09 275 00.0701	
10	G ⅜		0	15	15	10	1.9	0.85	02	09 276 00.0701	
12	G ½		0	15	15	10	2.0	0.85	03	09 277 00.0701	

State voltage [V] and frequency [Hz]

¹⁾ C_v-value (US) ≈ k_v-value x 1.2

IMI Norgren Buschjost GmbH + Co. KG

PO Box 10 02 52-53
D-32502 Bad Oeynhausen

Tel +49 (0) 57 31 79 10
Fax +49 (0) 57 31 79 11 79

<http://www.buschjost.com>
e-mail:mail@buschjost.de

Solenoids

Standard voltages	DC	AC	
		50 Hz	60 Hz
	24 V – 205 V	24 V 110 V 230 V	– 120 V 220 V

Design acc. to VDE 0580
Voltage range +5%/ -10 %
100 % duty cycle
Protection class acc. to EN 60529 IP 65 (previous DIN 40050)
Socket acc. to DIN 43 650

For technical details see catalog-register "Solenoids"

Further models

available at extra cost

- XX XXX **01.XXXX** Seat seal EPDM ²⁾
- XX XXX **02.XXXX** Seat seal FPM ²⁾
- XX XXX **03.XXXX** Degreased, seat seal FPM ²⁾
Valve, blue painted
- **On request** Further versions

²⁾ max. temp. +130 °C, only in combination with solenoid for higher temperatures

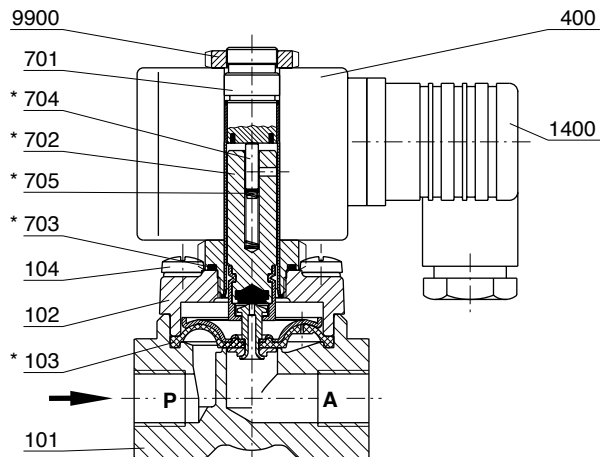
Power consumption ¹⁾

Solenoid	DC	AC	
		Inrush	Holding
0701	16 W	50 VA	24 VA

¹⁾ According to VDE 0580 at coil temperature +20 °C. In operating the solenoid coil decrease the power consumption appr. 30 %.

- XX XXX XX.**0901** Solenoid for higher temperature, max. +130 °C
- XX XXX XX.**9336** Solenoid in protection class EEx me II T4
- **On request** Further versions

Section

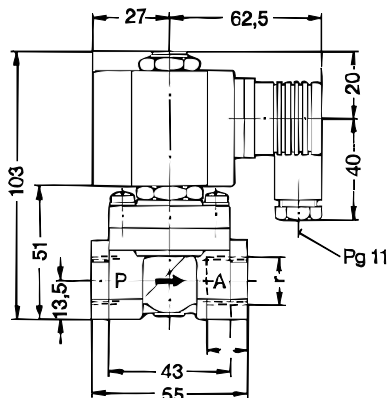


- 101 Valve body
- 102 Body cover
- *103 Diaphragm
- 104 Oval head cap screw
- 400 Solenoid
- 701 Core tube
- *702 Core
- *703 O-ring
- *704 Guide pin
- *705 Pressure spring
- 1400 Socket
- 9900 Hexagon nut

* These individual parts form a complete wearing unit.

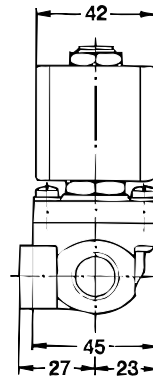
When ordering spare parts please state Cat no and series no.

Dimensions



Solenoid may be rotated 360°

Socket turnable 4 x 90°



Dimension table no	r	t
01	G ¼	12
02	G ⅜	12
03	G ½	14