

2/2-way valves ND 3 and 4,5 with sealed core tube

For neutral gaseous and liquid fluids
Directly solenoid actuated
Seat valves
Internal threads G ¼ and G ⅜
Operating pressure 0 to 7 bar, see characteristic data



Publication 7502707.06.04.96
Catalogue index
A3
82 060 series

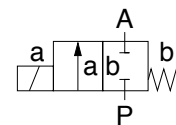
Description (standard valve)

Flow direction: determined
Fluid temperature: 0 °C up to max. +90 °C
Ambient temperature: 0 °C up to max. +50 °C
Sum of fluid and ambient temperature: max. +130 °C
Mounting position: optional, solenoid preferably vertical on top
Material Body: Brass
Seat seal: NBR
Bellows: PTFE



Features

- Clear design
- Compact solenoid with integrated core tube
- Sealed core tube with PTFE-bellows
- Insensitive against furring and magnetization of foreign particle



Switching function:
Normally closed

Characteristic data

ND	Connection (Thread acc. to DIN ISO 228/1)	Operating pressure with gaseous and liquid fluids up to 80 mm ² /s (cSt) [bar]		k _v -value ¹⁾ (Basis m ³ /h)	Weight [kg]	Cat. no.			
		min.	max.			Valve	Solenoid DC	Valve	Solenoid AC
[mm]						XX	XXX XX.XXXX	XX	XXX XX.XXXX
3	G ¼	0	7	0.28	0.30	82 060 00. 8050		82 060 00.8051	
3	G ⅜	0	7	0.28	0.30	82 061 00. 8050		82 061 00.8051	
4.5	G ¼	0	6	0.42	0.30	82 060 60. 8050		82 060 60.8051	
4.5	G ⅜	0	6	0.42	0.30	82 061 60. 8050		82 061 60.8051	

¹⁾ C_v-value (US) = k_v-value x 1.2

State voltage [v] and frequency [hz]

Solenoids

Standard-voltages	DC	AC
		40 up to 60 Hz
	24 V	24 V
	–	110 V
	205 V	230 V

Power consumption ²⁾

Solenoid	DC	AC
		Inrush and Holding
8050	12 W	–
8051	–	13 VA

Design acc. to VDE 0580
Voltage range ±10 %
100 % duty cycle
Protection class acc. to EN 60529 IP 65 (previous DIN 40050)
Socket acc. to DIN 43 650
AC solenoid with rectifier

²⁾ According to VDE 0580 at coil temperature +20 °C. In operating the solenoid decrease the power consumption appr. 30%.

For technical details see catalog register "solenoids"

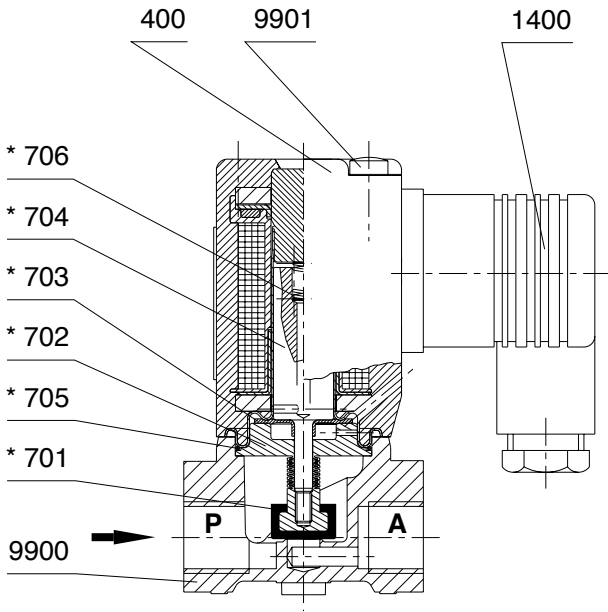
IMI Norgren Buschjost GmbH + Co. KG

PO Box 10 02 52-53
D-32502 Bad Oeynhausen

Tel +49 (0) 57 31 79 10
Fax +49 (0) 57 31 79 11 79

<http://www.buschjost.com>
e-mail: mail@buschjost.de

Section



- 400 Solenoid
- * 701 Gasket
- * 702 Bellows
- * 703 Diaphragm
- 704 Core
- * 705 O-ring
- * 706 Pressure spring
- 1400 Socket
- 9900 Valve body
- 9901 Oval head cap screw

* These individual parts form a complete wearing unit.

When ordering spare parts please state Cat no and series no.

Hint:

Solenoid and socket are sketched 90° rotated
On request: Body with fastening thread M5

Dimensions

Solenoid and socket
turnable 4 x 90°

