

2/2-way valves ND 10 to 12

For slightly aggressive gaseous and liquid fluids
Indirectly solenoid actuated
Diaphragm valves
Internal Threads G 3/8 to G 1/2
Operating pressure 0.5 to 10 bar



Publication 7501559.06.01.94
Catalog Register
A 6
Series 82140

Description (standard valve)

Solenoid valve for slightly aggressive gases and liquids

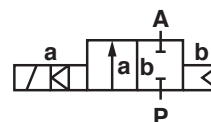
Flow direction: determined
Fluid temperature: max. +90 °C
Ambient temperature: max. +50 °C
Sum of fluid- and ambient temperature: max. +130 °C
Mounting position: optional, solenoid preferably vertical on top
Material Body: 1.4581
Seat seal: NBR (Perbunan)
Internal parts: 1.4301, Sandvik 1802 (magnetic stainless steel)



For contaminated fluids insertion of a strainer is recommended (see accessories).

Features

- High flow rate
- Clear design
- Universal valve
- Compact solenoid with integrated core tube



Switching function:
Normally closed

Characteristic data

ND [mm]	Connection (Thread acc. to DIN ISO 228/1)	Operating pressure with gaseous and liquid fluids up to 25 mm ² /s(cSt) [bar]		k _v -value ²⁾ (Base m ³ /h)	Weight [kg]	Dimension table No.	Cat.-No.			
		min. ¹⁾	max.				Valve	Solenoid D.C.	Valve	Solenoid A.C.
10	G 3/8	0.5	16	3.4	0.660	01	8214100.9748	XXXXXXX .XXXX	8214100.9749	XXXXXXX .XXXX
12	G 1/2	0.5	16	4.0	0.630	02	8214200.9748	XXXXXXX .XXXX	8214200.9749	XXXXXXX .XXXX

State voltage [V] and frequency [Hz]

¹⁾ Minimum pressure differential P→A 0.5 bar

²⁾ C_v-value (US) ≈ k_v-value x 1.2

IMI Norgren Buschjost GmbH + Co. KG

PO Box 10 02 52-53
D-32502 Bad Oeynhausen

Tel +49 (0) 57 31 79 10
Fax +49 (0) 57 31 79 11 79

<http://www.buschjost.com>
e-mail:mail@buschjost.de

Solenoids

Standard voltages	D.C.	A.C. 40 Hz to 60 Hz
	24 V – 110 V 205 V	24 V 42 V 110 V 230 V

Design acc. to VDE 0580

Voltage range $\pm 10\%$

100 % duty cycle

Protection class acc. to

DIN VDE 0470 T1 IP 65 (previous DIN 40050)

Socket acc. to DIN 43 650

A.C. solenoid with rectifier

For technical details see catalog register "Solenoids"

Further versions

at extra charge

- XX XXX 02.XXXX Manual override
- XX XXX 03.XXXX Seat seal FKM, up to max. +110 °C fluid temperature
- XX XXX 14.XXXX Seat seal EPDM, up to max. +110 °C fluid temperature

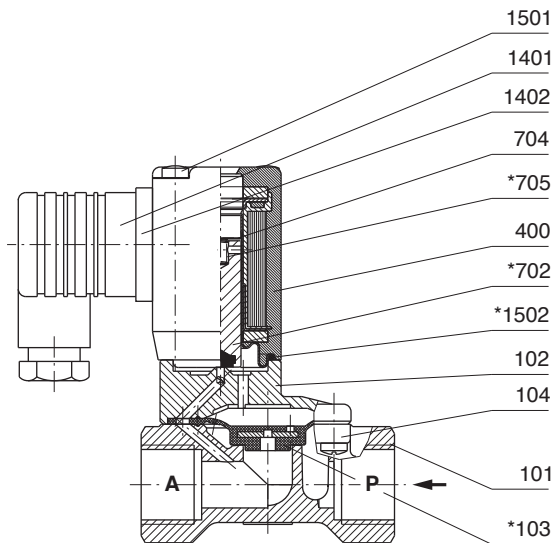
Power consumption ¹⁾

Solenoid	D.C.	A.C. Inrush and Holding
9748	12 W	–
9749	–	13 VA

¹⁾ According to VDE 0580 at coil temperature of +20 °C.
In operating the solenoid coil decrease the power consumption appr. 30 %.

- XX XXX XX.9747 D.C. solenoid without socket
- On request Further versions

Sectional drawing

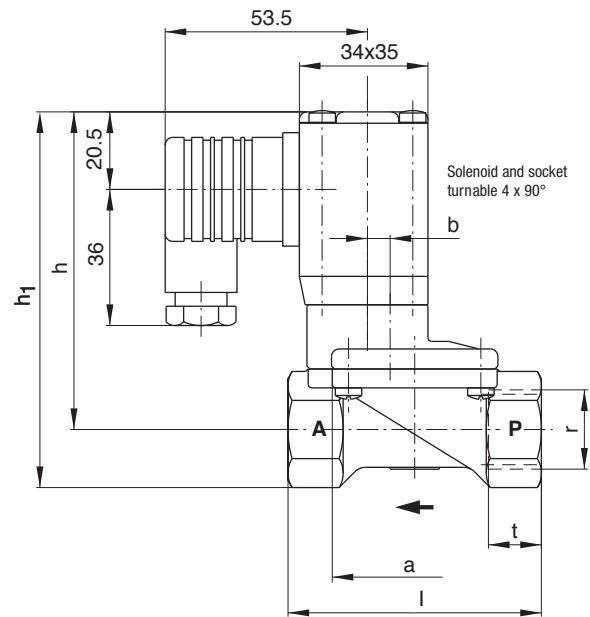


- 101 Valve body
- 102 Body cover
- *103 Diaphragm
- 104 Oval head cap screw
- 400 Solenoid
- *702 Core
- *705 Pressure spring
- 1401 Socket
- 1402 Gasket
- 1501 Cheese head cap screw
- *1502 O-ring

* These individual parts form a complete wearing unit.

When ordering spare parts state Cat.-no and series no.

Dimensional drawing



Dimension table No.	□ a	b	h	h ₁
01	44	12.5	90	105
02	44	12.5	90	105
Dimension table No.	l	r	t	
01	67	G ³ / ₈	12	
02	67	G ¹ / ₂	12	