

2/2-way valves ND 10

For neutral gaseous and liquid fluids
 Solenoid actuated, with forced lifting
 Diaphragm valve
 Internal threads G 1/4 to G 1/2
 Operating pressure 0.1 to 10 bar

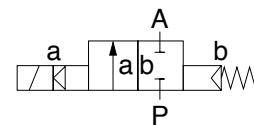


Publication 7501502.06.11.97
 Catalogue index
A6
 82 230 series

Description (standard valve)

Solenoid valve for air, water and oil

Flow direction: determined
 Fluid temperature: max. +90 °C
 Ambient temperature: max. +50 °C
 Sum of fluid and ambient temperature: max. +130 °C
 Mounting position: optional, solenoid preferably vertical on top
 Material body: Brass
 Seat seal: NBR
 Internal parts: 1.4104, 1.4303, PVDF
 For contaminated fluids insertion of a strainer is recommended (see accessories).



Switching function:
 Normally closed

Features

- High flow rate
- Clear design
- Compact solenoid with integrated core tube

Characteristic data

ND	Connection (Thread acc. to DIN ISO 228/1)	Dimension [mm]	Operating pressure with gaseous and liquid fluids up to 25 mm ² /s (cSt) [bar]		k _v -value ¹⁾ (Basis m ³ /h)	Weight [kg]	Cat no			
			min.	max.			Valve	Solenoid		
[mm]		[mm]					XX	XXX	XX	XXXX
10	G 1/4	44	0.1	10	1.5	0.5	82	230	00.	8001
10	G 3/8	44	0.1	10	1.7	0.5	82	231	00.	8001
10	G 1/2	60	0.1	10	1.7	0.6	82	232	00.	8001

¹⁾ Minimum pressure differential P □ A 0.1 bar

State voltage [v] and frequency [Hz]

²⁾ C_v-value (US) = k_v-value x 1.2

Solenoids

Standard-voltages	DC	AC	
		50 Hz	60 Hz
	24 V	24 V	—
	—	110 V	120 V
	205 V	230 V	220 V

Power consumption³⁾

Solenoid	DC	AC	
		Inrush	Holding
8001	12 W	20 VA	16 VA

Design acc. to VDE 0580

Voltage range ±10 %

100 % duty cycle

Protection class acc. to EN 60529 IP 65

(previous DIN 40050)

Socket acc. to DIN 43 650

For technical details see catalog register "solenoids"

³⁾ According to VDE 0580 at coil temperature +20 °C. In operating the solenoid decrease the power consumption appr. 30%.

IMI Norgren Buschjost GmbH + Co. KG

PO Box 10 02 52-53
 D-32502 Bad Oeynhausen

Tel +49 (0) 57 31 79 10
 Fax +49 (0) 57 31 79 11 79

<http://www.buschjost.com>
 e-mail: mail@buschjost.de

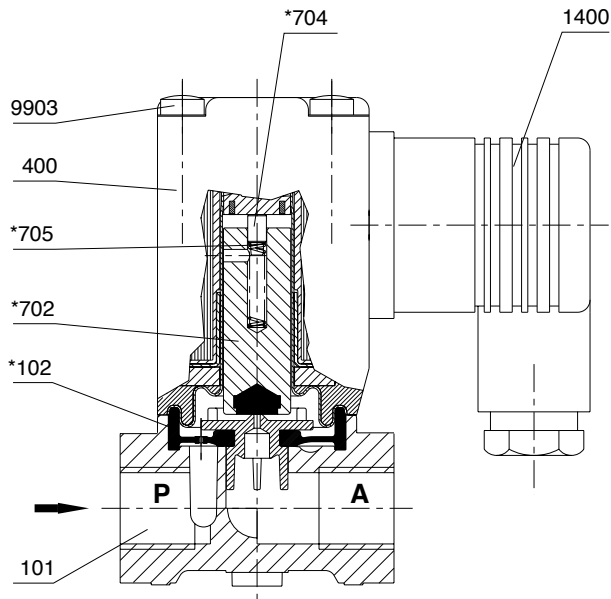
Further models

available at extra cost

- XX XXX **03.XXXX** Seat seal FPM,
max. fluid temperature + 110 °C
- XX XXX **14.XXXX** Seat seal EPDM, for hot water,
max. fluid temperature +110 °C
- XX XXX **18.XXXX** Degreased version, seat seal FPM
- XX XXX **22.XXXX** Operating pressure 0.1 up to 20 bar,
only for NBR and AC solenoid
- **On request** Further versions

- XX XXX **XX.8004** DC solenoid with rectifier for AC only
- XX XXX **XX.8041** Solenoid in protection class EEx me II T3

Section



- 101 Valve body
- * 102 Diaphragm
- 400 Solenoid
- * 702 Core
- * 704 Guide pin
- * 705 Pressure spring
- 1400 Socket
- 9903 Oval head cap screw

* These individual parts form a complete wearing unit.

When ordering spare parts please state cat no and series no

Notice:

Socket rotated by 90° in drawing

Dimensions

