

# 2/2-way valves ND 10



For slightly aggressive gaseous and liquid fluids  
 Solenoid actuated, with forced lifting  
 Diaphragm valve  
 Internal threads G 1/4 to G 1/2  
 Operating pressure 0.1 to 10 bar

Stainless Steel

Publication 7502742.06.01.96  
 Catalogue index  
**A12**  
 82 240 series

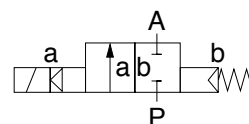
## Description (standard valve)

Stainless steel valve for slightly aggressive gases and liquids

Flow direction: determined  
 Fluid temperature: max. +90 °C  
 Ambient temperature: max. +50 °C  
 Sum of fluid and ambient temperature: max. +130 °C  
 Mounting position: optional, solenoid preferably vertical on top

Material body: 1.4581  
 Seat seal: NBR  
 Internal parts: 1.4310, Sandvik 1802, PVDF

For contaminated fluids insertion of a strainer is recommended (see accessories).



Switching function:  
 Normally closed

## Features

- High flow rate
- Clear design
- Compact solenoid with integrated core tube

## Characteristic data

ND	Connection (Thread acc. to DIN ISO 228/1)	Dimension [mm]	Operating pressure with gaseous and liquid fluids up to 25 mm <sup>2</sup> /s (cSt) [bar]		k <sub>v</sub> -value <sup>2)</sup> (Basis m <sup>3</sup> /h)	Weight [kg]	Cat no			
			min. <sup>1)</sup>	max.			Valve	Solenoid DC	Valve	Solenoid AC
10	G 1/4	44	0,1	10	1,5	0,5	82 240 00.	9748	82 240 00.	9749
10	G 3/8	44	0,1	10	1,7	0,5	82 241 00.	9748	82 241 00.	9749
10	G 1/2	60	0,1	10	1,7	0,5	82 242 00.	9748	82 242 00.	9749

<sup>1)</sup> Valve closed without differential pressure

<sup>2)</sup> C<sub>v</sub>-value(US) = k<sub>v</sub>-value x 1.2

State voltage [V] and frequency [Hz]

## Solenoids

Standard-voltages	DC	AC
		40 - 60 Hz
	24 V	24 V
	–	110 V
	205 V	230 V

## Power consumption<sup>3)</sup>

Solenoid	DC	AC	
		Inrush	Holding
9748	12 W	–	–
9749	–	13 VA	13 VA

Design acc. to VDE 0580  
 Voltage range ±10 %  
 100 % duty cycle  
 Protection class acc. to EN 60529 IP 65 (previous DIN 40 050)  
 Socket acc. to DIN 43 650

<sup>3)</sup> According to VDE 0580 at coil temperature +20 °C.  
 In operating the solenoid decrease the power consumption appr. 30%

For technical details see catalog register „solenoids“

## IMI Norgren Buschjost GmbH + Co. KG

PO Box 10 02 52-53  
 D-32502 Bad Oeynhausen

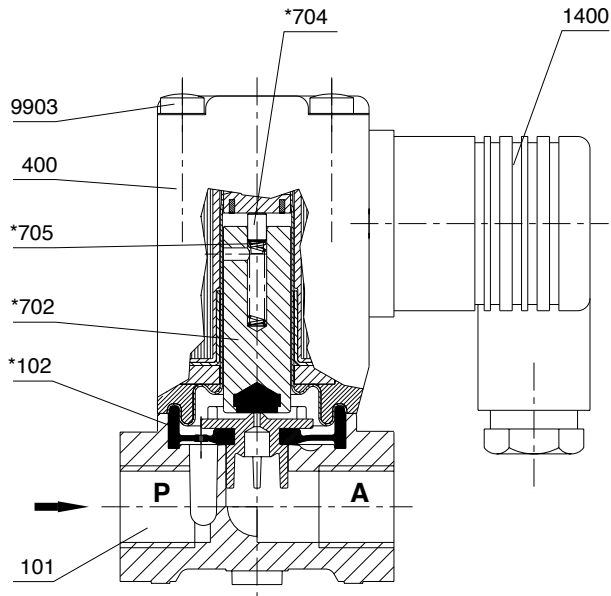
Tel +49 (0) 57 31 79 10  
 Fax +49 (0) 57 31 79 11 79

<http://www.buschjost.com>  
 e-mail: [mail@buschjost.de](mailto:mail@buschjost.de)

## Further models available at extra cost

- **On request**    Seat seal FPM, EPDM  
                          Solenoid in protection class EEx,  
                          Fastening thread 2 x M5 in the valve body

## Section



- 101 Valve body
- \* 102 Diaphragm
- 400 Solenoid
- \* 702 Core
- \* 704 Guide pin
- \* 705 Pressure spring
- 1400 Socket
- 9903 Oval head cap screw

\* These individual parts form a complete wearing unit.  
 When ordering spare parts please state cat no and series no

### Notice:

Solenoid rotated by 90° in drawing

## Dimensions

