

2/2-way valves DN 20 to DN 50

for neutral gaseous and liquid fluids
indirectly solenoid actuated

Diaphragm valves

Internal threads G 3/4 to G 2

Operating pressure 1 to 16 bar



82050
82250

Description (standard valve)

Solenoid valve for e.g. air, water, oil

Switching function:	Normally closed
Flow direction:	determined
Fluid temperature:	max. +80°C
Ambient temperature:	max. +55°C
Mounting position:	optional, preferably solenoid vertical



Material

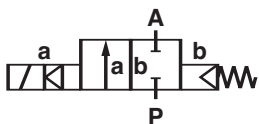
Body:	Brass
Seat seal:	NBR
Internal parts:	Brass, Stainless steel

For contaminated fluids insertion of a strainer is recommended (see accessories).

Features

- Damped operation
- Easily interchangeable solenoid

Symbol



Ordering information

To order, quote model number from table overleaf, e.g. 8205300.0201 for a G 3/4 valve with standard solenoid.

Characteristic data

See page 2 valve and solenoid informations

Detmolder Strasse 256
D-32545 Bad Oeynhausen

PO Box 10 02 52-53
D-32502 Bad Oeynhausen

Phone ++49 5731 / 791-0
Fax ++49 5731 / 791-179

<http://www.buschjost.com>
mail@buschjost.de

Characteristic data

Valves

Part Number with DC or AC solenoid	Nominal Diameter (mm)	Port size	Operating pressure *		kv-value ** (Base m ³ /h)	Weight (kg)
			min	max (bar)		
8205300.0201 8225300.0201	20	G 3/4 3/4" NPT	1	16	8	1,3
8205400.0201 8225400.0201	25	G 1 1" NPT	1	16	10	1,2
8205500.0201 8225500.0201	32	G 1 1/4 1 1/4" NPT	1	16	20	2,6
8205600.0201 8225600.0201	40	G 1 1/2 1 1/2" NPT	1	16	24	2,5
8205700.0201 8225700.0201	50	G 2 2" NPT	1	16	43	3,4

* with gaseous and liquid fluids up to 25 mm³/s (cSt)
minimum pressure differential P→A 1 bar

** C_v-value (US) ≈ k_v-Wert x 1,2
State voltage [V] and frequency [Hz]

0201 Solenoid

Standard voltages

DC	AC	
	50 Hz	60 Hz
24 V	24 V	–
–	110 V	120 V
205 V	230 V	220 V

Design acc. to DIN VDE 0580
Voltage range ±10 %
100 % duty cycle
Protection class acc. to EN 60529 IP65
Socket acc. to DIN EN 175301-803 (included)

Power Consumption

According to DIN VDE 0580 at coil temperature +20 °C. In operating the solenoid coil decrease the power consumption appr. 30 %.

DC	AC	
	Inrush	Holdin g
12 W	22 VA	15 VA

Options (Valves)

- XXXXX01.XXXX Normally open
- XXXXX02.XXXX Manual override
- XXXXX03.XXXX Seat seal FPM¹⁾
- XXXXX14.XXXX Seat seal EPDM¹⁾
- XXXXX17.XXXX Normally open;
Seat seal FPM¹⁾
- XXXXX20.XXXX Manual override;
Seat seal FPM¹⁾
- XXXXX50.XXXX Normally open;
Seat seal EPDM¹⁾

On request Further versions

¹⁾ max. temperature +130 °C, only in connection with solenoid for higher temperature.

Options (Solenoids)

- XXXXXX.400X Solenoid for higher temperature,
max. +100 °C
- XXXXXX.400X Switching function:
Normally open
- XXXXXX.9336 Solenoid in protection class
⊕ II 2 GD EEx me II T4 T 140°C

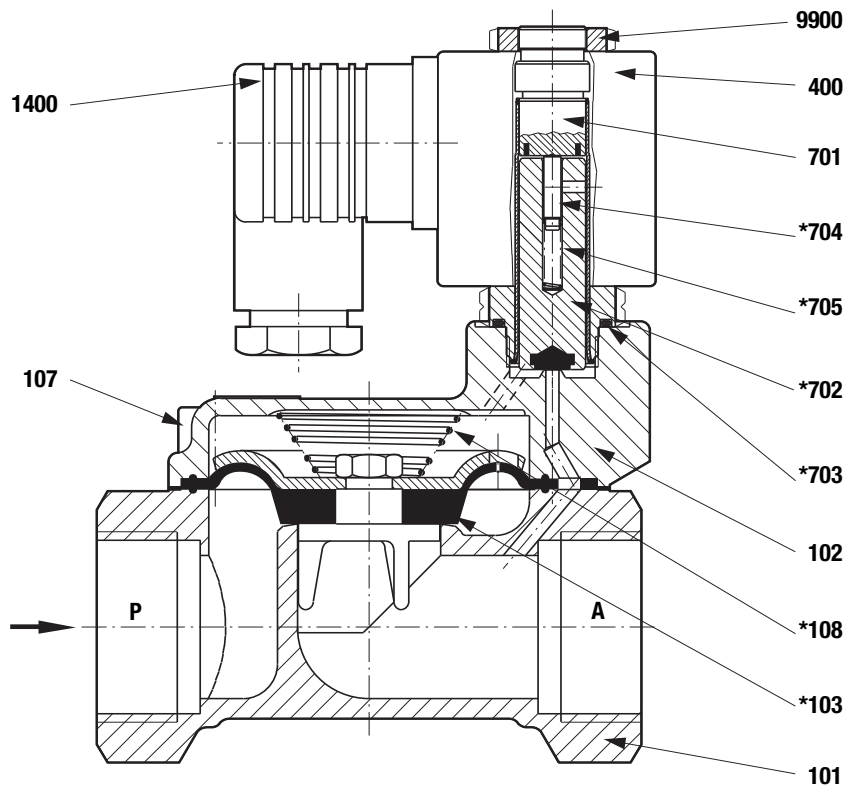
On request Further versions

Attention:

Restricted temperature range for explosion proof solenoids.

For technical details see catalogue-register "Solenoids"

Section View

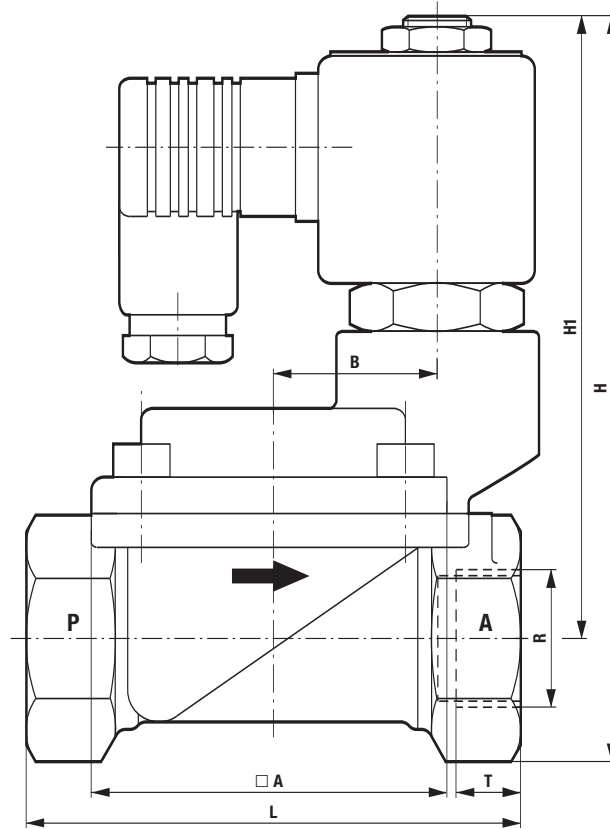


- 101 Valve body
- 102 Valve cover
- *103 Diaphragm
- 107 Cheese head cap screw
- *108 Pressure spring
- 400 Solenoid
- 701 Core tube
- *702 Core
- *703 O-ring
- *704 Guide pin
- *705 Pressure spring
- 1400 Socket
- 9900 Hexagon nut

* These individual parts form a complete wearing unit.
When ordering spare parts please state Cat No and Series No.

General Dimensions

Solenoid rotatable 360°
 Socket turnable 4 x 90°



Part Number	□ A	B	H	H1	L	R	T
8205300.0201 8225300.0201	70	32	104	128	95	G 3/4 3/4" NPT	12,5
8205400.0201 8225400.0201	70	32	104	128	95	G 1 1" NPT	14,0
8205500.0201 8225500.0201	96	47	117	150	132	G 1 1/4 1 1/4" NPT	18,0
8205600.0201 8225600.0201	96	47	117	150	132	G 1 1/2 1 1/2" NPT	18,0
8205700.0201 8225700.0201	112	55	130	170	160	G 2 2" NPT	20,0

Note to Pressure Equipment Directive (PED):

The valves of this series, including the connection-size DN 25 (G 1), are according to Art. 3 § 3 of the Pressure Equipment Directive (PED) 97/23/EG. This means interpretation and production are in accordance to engineers practice wellknown in the member countries.

The CE-sign at the valve refers not to the PED. Thus the declaration of conformity is not longer applicable for this directive.

For valves > DN 25 (G 1) Art. 3 § (1) No.1.4 applies.

The basic requirements of the Enclosure I of the PED must be fulfilled. The CE-sign at the valve includes the PED. A certificate of conformity of this directive will be available on request.

Note to Electromagnetic Compatibility Guideline (EEC):

The valves shall be provided with an electrical circuit which ensures the limits of the harmonised standards EN 50081-1 and EN 50082-1 are observed, and hence the requirements of the Electromagnetic Compatibility Guideline (89/336/EEC) satisfied.