

# DVM-Valves

Pressure actuated, contamination resistant  
Diaphragm valves  
Internal threads G 1/4 to G 2  
Operating pressure 0.2 to 16 bar



Publication 7501503.06.04.97  
Catalogue index  
**A8**  
82 160 series

## Description

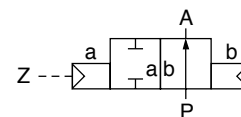
2/2-way valves ND 8 to 50  
for contaminated neutral fluids

Flow direction: determined  
Fluid temperature: max. +90 °C  
Mounting position: optional  
Material: Body: Brass  
Seat seal: NBR  
reinforced fabric diaphragm  
Pilot fluid: Air  
For contaminated pilot fluid insertion of a strainer is recommended.



## Features

- Flow fluid separated from pilot fluid
- Suitable for contaminated flow fluid
- Actuation via separate pilot valve or control device



Switching function:  
Normally open

## Characteristic data

ND	Connection (Thread acc. to DIN ISO 228/1)	Pilot connection	Operating/ pilot pressure <sup>1)</sup> [bar]		k <sub>v</sub> -value <sup>3)</sup> [Base m <sup>3</sup> /h]	Weight [kg]	Dimension table no	Cat no XX XXX XX.XXXX
			min. <sup>2)</sup>	max.				
8	G 1/4	G 1/4	0.2	16	1.7	0.50	01	82 160 00.0000
10	G 3/8	G 1/4	0.2	16	3.4	0.45	02	82 161 00.0000
12	G 1/2	G 1/4	0.2	16	4.0	0.40	03	82 162 00.0000
20	G 3/4	G 1/4	0.2	16	11.0	1.15	04	82 163 00.0000
25	G 1	G 1/4	0.2	16	13.0	1.00	05	82 164 00.0000
32	G 1 1/4	G 1/4	0.2	16	28.0	2.35	06	82 165 00.0000
40	G 1 1/2	G 1/4	0.2	16	31.0	2.10	07	82 166 00.0000
50	G 2	G 1/4	0.2	16	46.0	3.35	08	82 167 00.0000

<sup>1)</sup> Pilot pressure = operating pressure G 1/4 to G 1/2 max. 6 bar, G 3/4 to G 2 max. 1 bar over operating pressure, max. control pressure 16 bar

<sup>2)</sup> Minimum pressure differential P[A] 0.2 bar

<sup>3)</sup> C<sub>v</sub>-value (US) ≈ k<sub>v</sub>-value x 1.2

## IMI Norgren Buschjost GmbH + Co. KG

PO Box 10 02 52-53  
D-32502 Bad Oeynhausen

Tel +49 (0) 57 31 79 10  
Fax +49 (0) 57 31 79 11 79

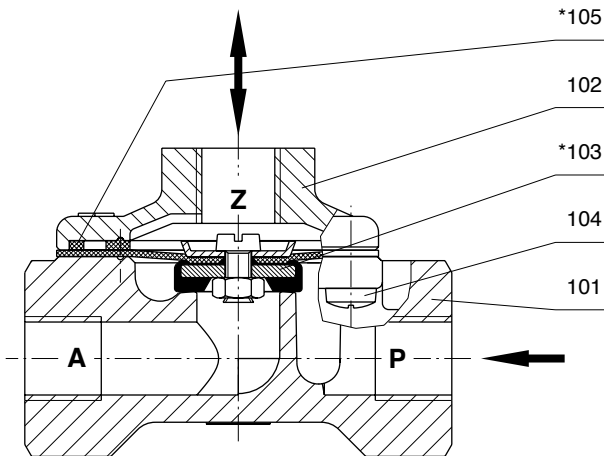
<http://www.buschjost.com>  
e-mail:mail@buschjost.de

## Further models

available at extra cost

- XX XXX 03.0000 FPM-Fabric diaphragm, Control pressure = operating pressure G 1/4 to G 1/2 max. 6 bar, G 3/4 to G 2 max. 1 bar over operating pressure, but max. control pressure 16 bar. Fluid temperature max. +110 °C
- XX XXX 53.0000 suitable for vacuum, with pressure spring under diaphragm, FPM-fabric diaphragm, for G 3/4 to G 2. Operating pressure min. – 0,9 bar, same as XX XXX 52.0000 (up to G 1/2: valve housing 55 mm in length)
- XX XXX 51.0000 NBR – Fabric diaphragm, for G 3/4 to G 2. Control pressure = operating pressure, max. 6 bar over operating pressure, but max. control pressure 16 bar.
- XX XXX 54.0000 suitable for vacuum, with pressure spring under diaphragm, NBR - fabric diaphragm, for G 3/4 to G 2. Operating pressure min. – 0,9 bar, same as XX XXX 51.0000 (up to G 1/2: valve housing 55 mm in length)
- XX XXX 52.0000 FPM-Fabric diaphragm, for G 3/4 to G 2. Control pressure = operating pressure, max. 6 bar over operating pressure, but max. control pressure 16 bar. Fluid temperature max. +110 °C

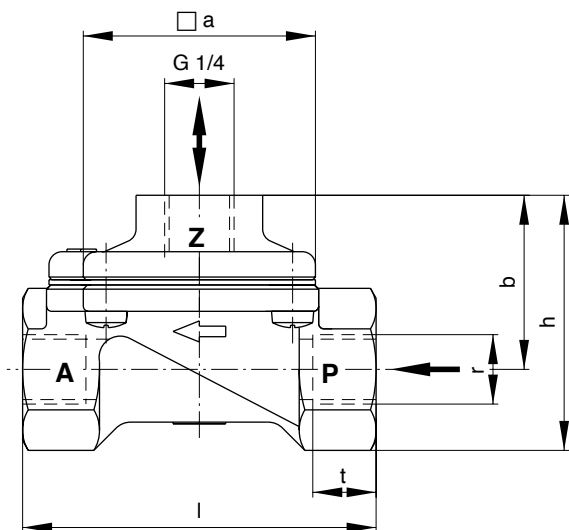
## Section



- 101 Valve body
- 102 Body cover
- \*103 Diaphragm
- 104 Oval head cap screw up to G 1/2,  
Hexagon screw from G 3/4
- \*105 Seal ring (not for G 3/4 and G 1)

\* These individual parts form a complete wearing unit.  
When ordering spare parts please state Cat no and series no.

## Dimensions



Dimension table no	a	b	h	l	r	t
01	44	33	48	67	G 1/4	12
02	44	33	48	67	G 3/8	12
03	44	33	48	67	G 1/2	12
04	70	57	81	95	G 3/4	12.5
05	70	57	81	95	G1	14
06	96	70	103	132	G1 1/4	18
07	96	70	103	132	G1 1/2	18
08	112	81	121	160	G2	20