

2/2-way valves DN 8 to 25 with DVGW-approval

For neutral gases and liquid fuels
Solenoid actuated with forced lifting
Diaphragm valves
Internal threads G 1/4 to G 1
Operating pressure 0 to 4 / 8 bar



82370

Description (standard valve)

Solenoid valve for neutral gases and liquid fuels

Switching function:	normally closed
Flow direction:	determined
Fluid temperature:	-10 °C up to max. +60 °C
Ambient temperature:	-10 °C up to max. +50 °C
Mounting position:	optional, preferably solenoid vertical on top

Material

Body:	Brass (CW617N)
Seat seal:	FPM
Internal parts:	Stainless steel, Brass, PVDF

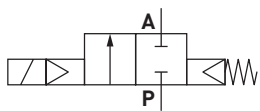


Strainer with maximum mesh size of 0.25 mm is necessary upstream of the valve.

Features

- EC-Type Examination Certificate product ID-No.: CE-0085AU0323 valve class A G 1/4 – G 1/2; B G 3/4 and G 1; valve group 2
- Qualification approval EN 161/3394 part 1 and EN 264
- High functional reliability
- Short response time < 1 s

Symbol



Ordering information

To order, quote model number from table overleaf, e. g. 8237400.9381 for a DN 25 valve.

Characteristic Data

Valves

Part Number solenoid with 1	Part Number solenoid with 2	Nominal Diameter (mm)	Connection Size	Operating Pressure *		kv-value ** (Base m ³ /h)	Weight Total (kg)
				min. (bar)	max. (bar)		
8237000.9381 8237080.9381	8237000.9382 8237080.9382	8	G 1/4	0	4 8	1.6	1.00 1.20
8237100.9381 8237180.9381	8237100.9382 8237180.9382	10	G 3/8	0	4 8	2.0	0.90 1.10
8237200.9381 8237280.9381	8237200.9382 8237280.9382	12	G 1/2	0	4 8	2.3	0.90 1.10
8237300.9381 8237380.9381	8237300.9382 8237380.9382	20	G 3/4	0	4 8	5.8	1.55 1.85
8237400.9381 8237480.9381	8237400.9382 8237480.9382	25	G 1	0	4 8	6.1	1.45 1.75

* for gases and liquid fluids up to 25 mm²/s (cSt)

** C_v-value (US) ≈ kv-value x 1.2

State voltage [V] and frequency [Hz]

Note:

Operating pressure exceeding 4 bars female threaded sealing connections are not allowed.

Outer threaded version available on request (extra charge).

Solenoid 9381 / 9382

Standard voltage

DC ≡	AC ~ 40 Hz – 60 Hz	
24 V	24 V	–
–	110 V	120 V
–	120 V	220 V

Design acc. to DIN VDE 0580

Voltage range ±10 %

100 % duty cycle

Protection class acc. to EN 60529 IP65

Socket Form A acc. to DIN EN 175301-803 (included)

AC with rectifier plug

Power Consumption

According to DIN VDE 0580 at coil temperature

of +20 °C. In operation the power consumption of the solenoid decreases by approx. 30 %.

Solenoid	DC ≡	AC ~	
		Inrush	Holding
9381 *	18 W	–	–
9382 *	–	20 VA	20 VA

*  coil only

Attention!

The conditions imposed on the Ex approvals lead to reduction of the permissible standard temperature ranges in the cases of explosion protected solenoids.


Further Options (Valves)

On request

Further versions

Further Options (Solenoids)

XXXXXX.9356 Protection class

 II 2 GD EEx me II T3 T 140 °C

On request

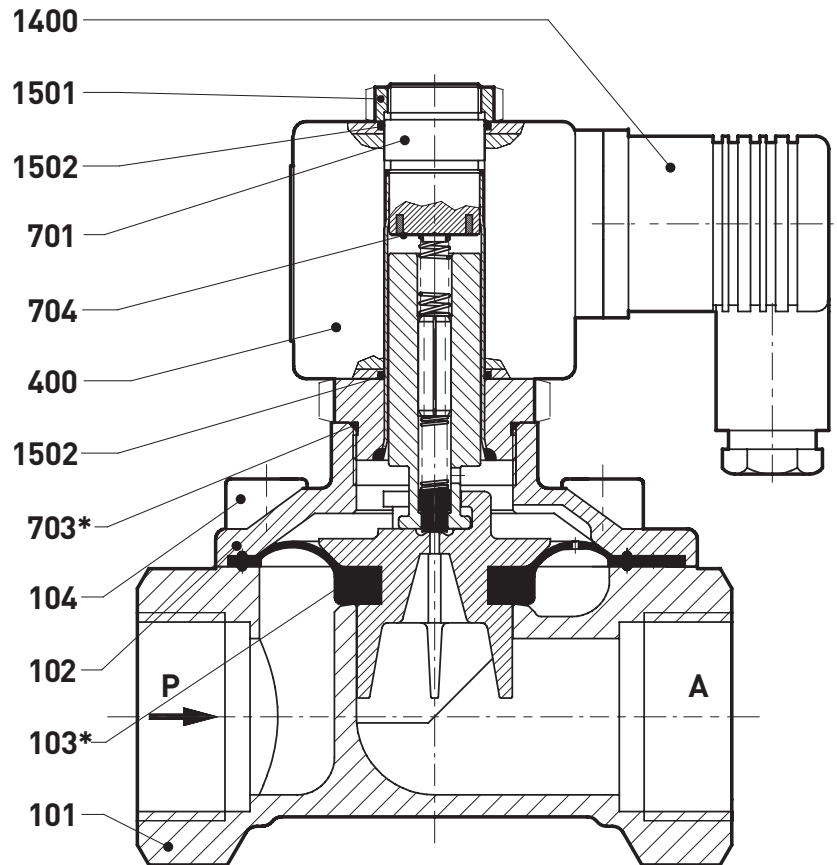
Further versions

Supplementary equipment

XXXXX80.XXXX Valve with compression fitting

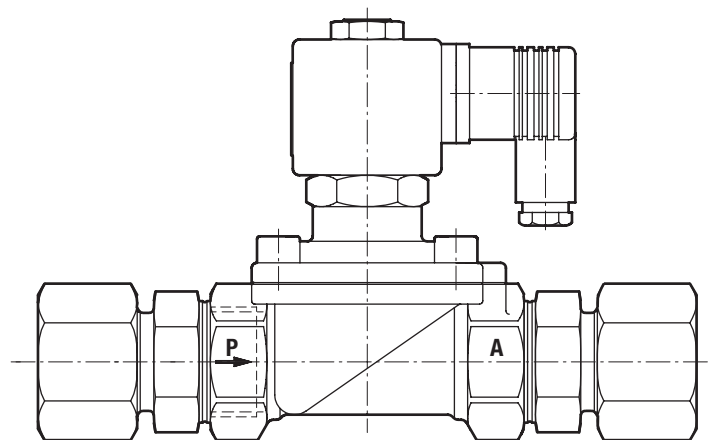
Section View

- 101 Valve body
- 102 Valve cover
- *103 Diaphragm, complete
- 104 Oval head cap screw up to G 1/2
Socket head cap screw from G 3/4
- 400 Solenoid
- 701 Core tube
- *703 O-ring
- 704 Round plate
- 1400 Socket (included)
- 1501 Hexagon nut
- 1502 O-ring



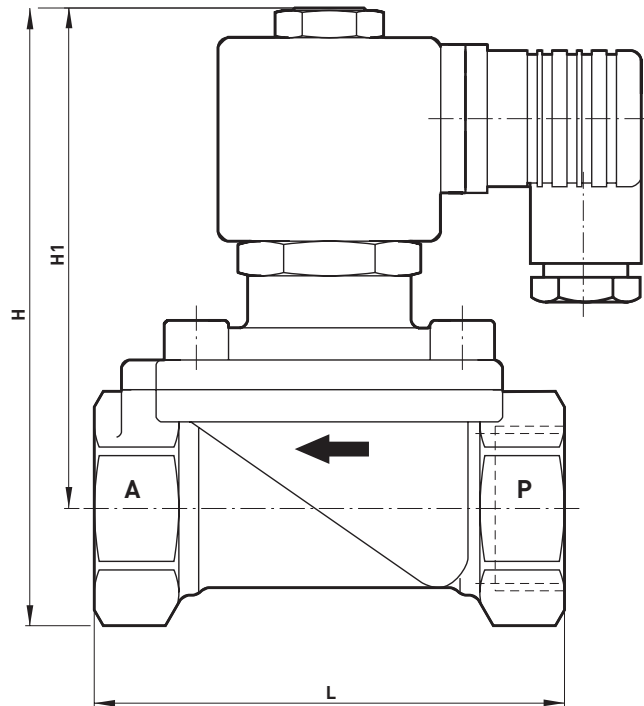
* These individual parts form a complete wearing unit.
When ordering spare parts please state Cat. No. and Series No.

Valve with compression fitting



General Dimensions

Solenoid rotatable 360°
 Socket turnable 4 x 90°
 (Socket included)



Part Number	Nominal Diameter (mm)	Connection Size	L (mm)	B* (mm)	H (mm)	H1 (mm)
8237000.938x	8	G 1/4	67	54	105	90
8237100.938x	10	G 3/8	67	54	105	90
8237200.938x	12	G 1/2	67	54	105	90
8237300.938x	20	G 3/4	95	70	130	105
8237400.938x	25	G 1	95	70	130	105

* B = max. width

Note to Pressure Equipment Directive (PED):

The valves of this series, including the connection size DN 25 (G 1), are according to Art. 3 § 3 of the Pressure Equipment Directive (PED) 97/23/EG. This means interpretation and production are in accordance to engineers practice wellknown in the member countries.

The CE-sign at the valve refers not to the PED. Thus the declaration of conformity is not longer applicable for this directive.

For valves > DN 25 (G 1) Art. 3 § (1) No.1.4 applies.
 The basic requirements of the Enclosure I of the PED must be

fulfilled. The CE-sign at the valve includes the PED. A certificate of conformity of this directive will be available on request.

Note to Electromagnetic Compatibility Guideline (EEC):

The valves shall be provided with an electrical circuit which ensures the limits of the harmonised standards EN 61000-6-3 and EN 61000-6-1 are observed, and hence the requirements of the Electromagnetic Compatibility Guideline (2004/108/EG) satisfied.