

**2/2-way valves DN 8 to DN 25**  
**for neutral gaseous and liquid fluids**  
**Solenoid actuated, with forced lifting**  
**Diaphragm valves**  
**Internal threads G 1/4 to G 1 or 1/4" NPT to 1" NPT**  
**Operating pressure 0 to 8/16 bar**

82350  
82650



**Description (standard valve)**

Solenoid valve for e.g. air, water, oil

Switching function :	Normally closed
Flow direction :	determined
Fluid temperature :	-10 °C up to max. +90 °C
Ambient temperature :	-10 °C up to max. +50 °C
Mounting position :	optional, preferably solenoid vertical on top



**Material**

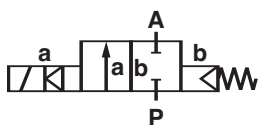
Body:	Brass
Seat seal :	NBR
Internal parts :	1.4104, 1.4301, 1.4310, Brass, PVDF

For contaminated fluids insertion of a strainer is recommended (see accessories).

**Features**

- Valve operates without differential pressure ( $\Delta p$ )
- High flow rate
- Easily interchangeable solenoid
- Suitable for vacuum

**Symbol**



**Ordering information**

To order, quote model number from table overleaf, e.g. 8235000.9301 for a G 1/4 valve with standard solenoid.

**Characteristic data**

See page 2 valve and solenoid informations

Detmolder Strasse 256  
D-32545 Bad Oeynhausen  
PO Box 10 02 52-53  
D-32502 Bad Oeynhausen  
Phone ++49 5731 / 7 91-0  
Fax ++49 5731 / 791-179  
<http://www.buschjost.com>  
[mail@buschjost.de](mailto:mail@buschjost.de)

**Characteristic data**

**Valves**

Part Number with DC or AC solenoid	Nominal Diameter (mm)	Port size	Operating Pressure DC *		Operating Pressure AC *		kv-value ** (Base m³/h)	Weight (kg)
			min	max (bar)	min	max (bar)		
8235000.9301 8265000.9301	8	G 1/4 1/4" NPT	0	8	0	16	1.90	1.00
8235100.9301 8265100.9301	10	G 3/8 3/8" NPT	0	8	0	16	2.60	0.90
8235200.9301 8265200.9301	12	G 1/2 1/2" NPT	0	8	0	16	3.20	0.90
8235300.9301 8265300.9301	20	G 3/4 3/4" NPT	0	8	0	16	7.00	1.55
8235400.9301 8265400.9301	25	G 1 1" NPT	0	8	0	16	8.00	1.45

\* with gaseous and liquid fluids up to 25 mm²/s (cSt)

State voltage [V] and frequency [Hz]

\*\* C<sub>v</sub>-value (US) ≈ kv-value x 1,2

**9301 Solenoid**

**Standard voltages**

DC	AC	
	50 Hz	60 Hz
24 V	24 V	-
-	110 V	120 V
205 V	230 V	220 V

Design acc. to DIN VDE 0580

Voltage range ±10 %

100 % duty cycle

Protection class acc. to EN 60529 IP 65 (previous DIN 40050)

Socket acc. to DIN EN 175301-803A

**Options (Valves)**

XX XXX **03**.XXXX Seat seal FPM,  
max. fluid temperature +110 °C

XX XXX **14**.XXXX Seat seal EPDM, for hot water,  
max. fluid temperature +110 °C

On request Further versions

**Options (Solenoids)**

XX XXX XX.**9356** Protection class  
⊕ II 2 GD EEx me II T3 T 140°C,  
max. 8 bar

On request Further versions

**Power Consumption**

According to DIN VDE 0580 at coil temperature +20 °C. In operating the solenoid coil decrease the power consumption appr. 30 %.

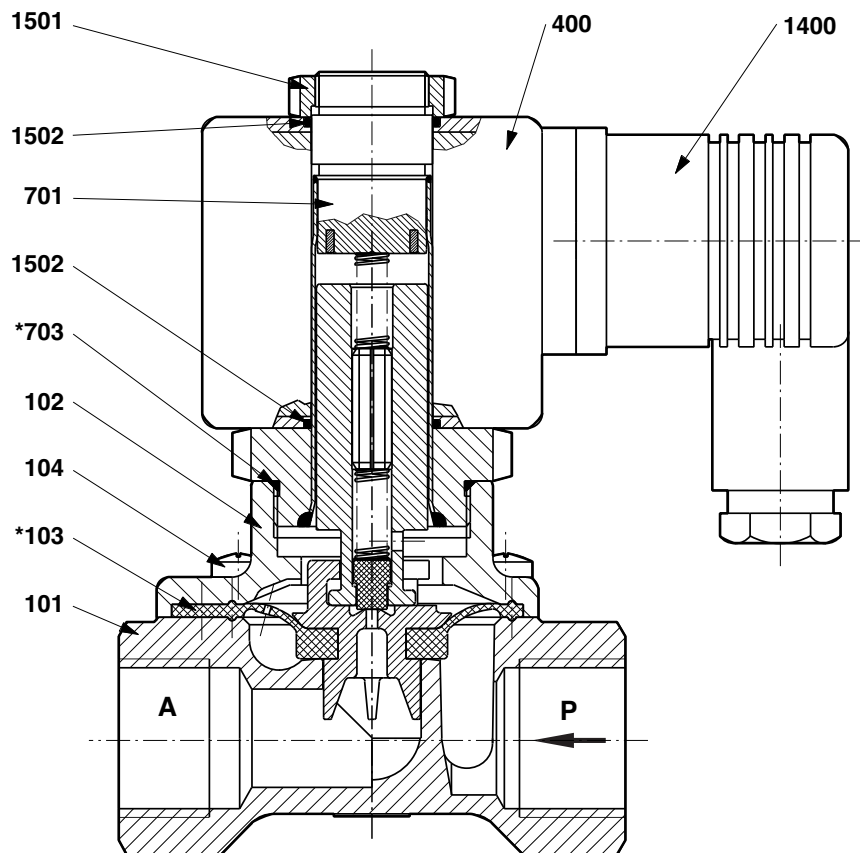
DC	AC	
	Inrush	Holding
18 W	106 VA	35 VA

**Attention:**

**Restricted temperature range for explosion proof solenoids.**

For technical details see catalogue-register "Solenoids"

## Section View

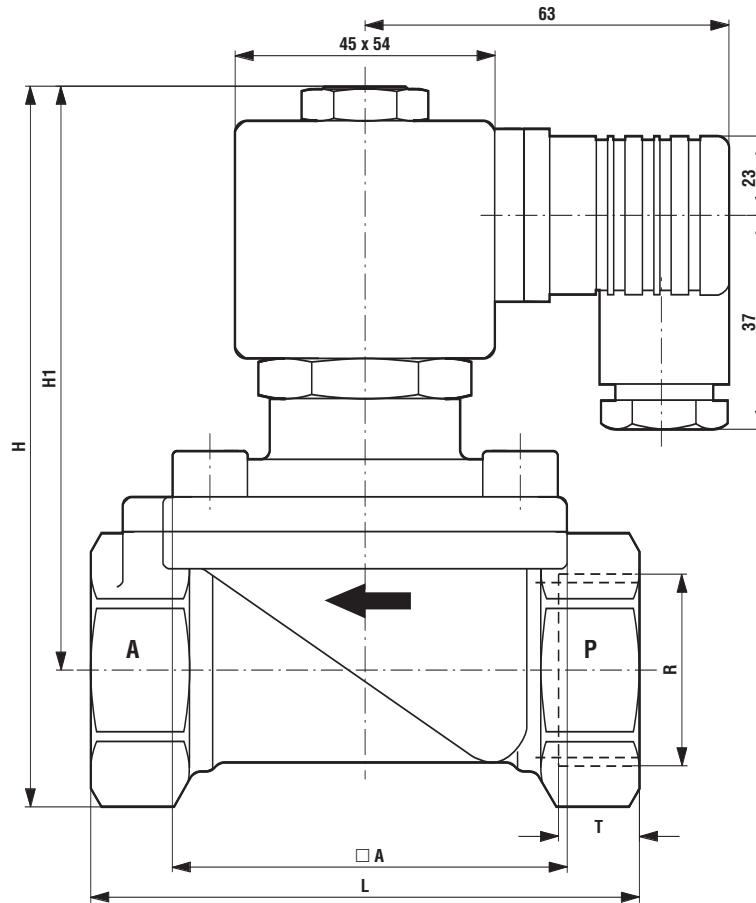


- 101 Valve body
- 102 Valve cover
- \*103 Diaphragm, complete
- 104 Oval head cap screw up to G 1/2 (1/2" NPT)  
Socket head cap screw from G 3/4 (3/4" NPT)
- 400 Solenoid
- 701 Core tube
- \*703 O-ring
- 1400 Socket
- 1501 Hexagon nut
- 1502 O-ring

\* These individual parts form a complete wearing unit.  
When ordering spare parts please state Cat No and Series No.

General Dimensions

Solenoid rotatable 360°  
Socket turnable 4 x 90°



Part Number	□ A	H	H1	L	R	T
8235000.9301						
8265000.9301	44	105	90	67	G 1/4 1/4" NPT	12.0 10.0
8235100.9301						
8265100.9301	44	105	90	67	G 3/8 3/8" NPT	12.0 10.5
8235200.9301						
8265200.9301	44	105	90	67	G 1/2 1/2" NPT	14.0 13.5
8235300.9301						
8265300.9301	70	130	105	95	G 3/4 3/4" NPT	12.5 14.0
8235400.9301						
8265400.9301	70	130	105	95	G 1 1" NPT	14.0 17.0

**Note to Pressure Equipment Directive (PED):**

The valves of this series are according to Art. 3 § 3 of the Pressure Equipment Directive (PED) 97/23/EG. This means interpretation and production are in accordance to engineers practice wellknown in the member countries. The CE-sign at the valve does not refer to the PED. Thus the declaration of conformity is not longer applicable for this directive.

**Note to Electromagnetic Compatibility Guideline (EEC):**

The valves shall be provided with an electrical circuit which ensures the limits of the harmonised standards EN 50081-1 and EN 50082-1 are observed, and hence the requirements of the Electromagnetic Compatibility Guideline (89/336/EEC) satisfield.