

# 2/2-way valves ND 20 to 50

For air  
Indirectly actuated with pilot connection  
Diaphragm valves  
G ¼ to G 2 internal thread  
Operating pressure 0.3 to 8 bar



Publication 7500964.06.04.97  
Catalogue index  
**A 8**  
82 850 series

## Description (standard valve)

Flow direction: fixed  
Fluid temperature: max +90°C  
Mounting position: optional  
Material body: Al  
seat seal: fabric diaphragm with NBR valve plate

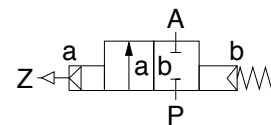


Control via separate pilot valve or pilot controller.

For contaminated fluid insertion of a strainer (see accessories) is recommended.

## Features

- Filter ventilation valve
- Short switching time
- High flow rate



Switching function:  
Normally closed

## Characteristic data

ND [mm]	Connection (Thread to DIN ISO 228/1)	Pilot connection	Operating pressure [bar]		k <sub>v</sub> -value <sup>2</sup> (basis m <sup>3</sup> /h)	Weight [kg]	Section no	Dimension table no	Cat no XX XXX XX.XXXX
			min. <sup>1</sup>	max.					
20	G ¼	G ¼	0.3	8	15	0.45	01	01	<b>82 853 51.0000</b>
25	G 1	G ¼	0.3	8	20	0.50	01	02	<b>82 854 51.0000</b>
40	G 1½	G ¼	0.3	8	43	0.95	02	04	<b>82 856 51.0000</b>
50	G 2	G ¼	0.3	8	61	1.45	03	05	<b>82 857 51.0000</b>

<sup>1</sup> Minimum pressure differential from P to A 0.3 bar

<sup>2</sup> c<sub>v</sub> - valve (US) ≈ k<sub>v</sub> - value x 1.2

## IMI Norgren Buschjost GmbH + Co. KG

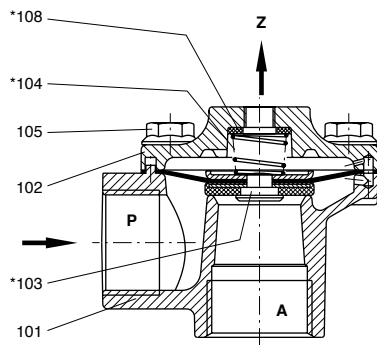
PO Box 10 02 52-53  
D-32502 Bad Oeynhausen

Tel +49 (0) 57 31 79 10  
Fax +49 (0) 57 31 79 11 79

<http://www.buschjost.com>  
e-mail: mail@buschjost.de

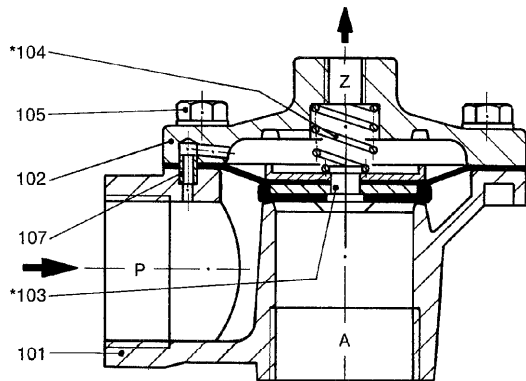
## Sections

01



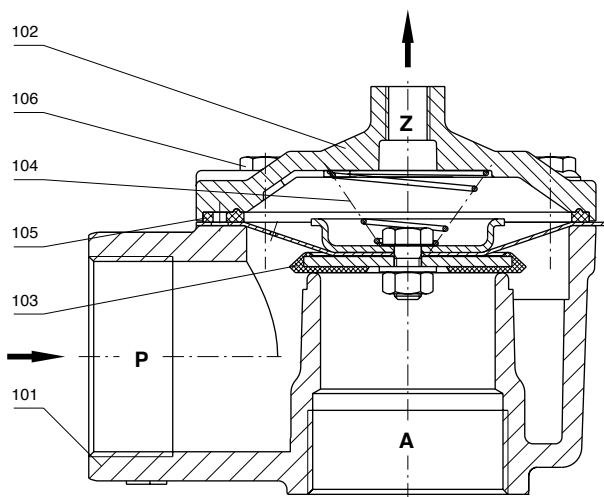
- 101 Body
- 102 Body cover
- \* 103 Diaphragm
- \* 104 Compression spring
- 105 Locking bolt
- \* 108 Gasket

02



- 101 Body
- 102 Body cover
- \* 103 Diaphragm
- \* 104 Compression spring
- 105 Locking bolt
- 107 Bush

03

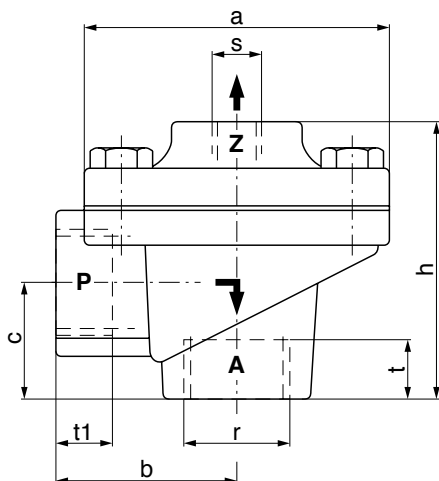


- 101 Body
- 102 Body cover
- \* 103 Diaphragm
- \* 104 Compression spring
- \* 105 Seal ring
- 106 Hex bolt

\* These individual parts form a complete unit subject to wear.

When ordering spare parts please state  
Cat no and Series no.

## Dimensions



Dimension table no	a	b	c	h
01	□ 75	44	30	70
02	□ 75	50	30	74
04	∅ 115	75	31	100
05	□ 112	95	41	122
Dimension table no	r	t	t <sub>1</sub>	s
01	G ¾	15	15	G ⅛
02	G 1	18	18	G ⅛
04	G 1½	20	17	G ¼
05	G 2	25	25	G ¼