

2/2-way valves ND 20 to 50



For neutral gaseous and liquid fluids
Indirectly solenoid actuated
Diaphragm valves
Flange connection PN 16
Operating pressure 1 to 16 bar



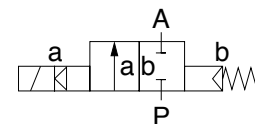
Publication 7501528.06.04.97
Catalogue index
A 6
83 050 series

Description (standard valve)

Solenoid valve for air, water and oil

Flow direction: determined
Fluid temperature: max. +80 °C
Ambient temperature: max. +55 °C
Mounting position: optional, solenoid preferably vertical
Material Body: Grey cast iron
Seat seal: NBR
Internal parts: 2.0402, 1.4104, 1.4301

For contaminated fluids insertion of a strainer is recommended (see accessories).



Switching function:
Normally closed

Features

- Damped operation
- Easily interchangeable solenoid

Characteristic data

ND	Operating pressure with gaseous and liquid fluids up to 25 mm ² /s (cSt) [bar]		k _v -value ²⁾ (Base m ³ /h)	Weight [kg]	Dimension table No.	Cat no	
	min. ¹⁾	max.				Valve XX XXX	Solenoid DC or AC XX. XXXX
20	1	16	8.0	3.1	01	83 053 00.	0201
25	1	16	10.0	3.5	02	83 054 00.	0201
32	1	16	22.0	6.1	03	83 055 00.	0201
40	1	16	25.0	6.9	04	83 056 00.	0201
50	1	16	43.0	9.2	05	83 057 00.	0201

¹⁾ Minimum pressure differential P_A 1 bar

²⁾ C_v-value (US) ≈ k_v-value x 1.2

State voltage [V]
and frequency [Hz]

IMI Norgren Buschjost GmbH + Co. KG

PO Box 10 02 52-53
D-32502 Bad Oeynhausen

Tel +49 (0) 57 31 79 10
Fax +49 (0) 57 31 79 11 79

<http://www.buschjost.com>
e-mail: mail@buschjost.de

Solenoids

Standard voltages	DC	AC	
		50 Hz	60 Hz
	24 V	24 V	–
	–	110 V	120 V
	205 V	230 V	220 V

Design acc. to VDE 0580
 Voltage range $\pm 10\%$
 100 % duty cycle
 Protection class acc. to EN 60529 IP 65 (previous DIN 40050)
 Socket acc. to DIN 43 650
 For technical details see catalog-register "Solenoids"

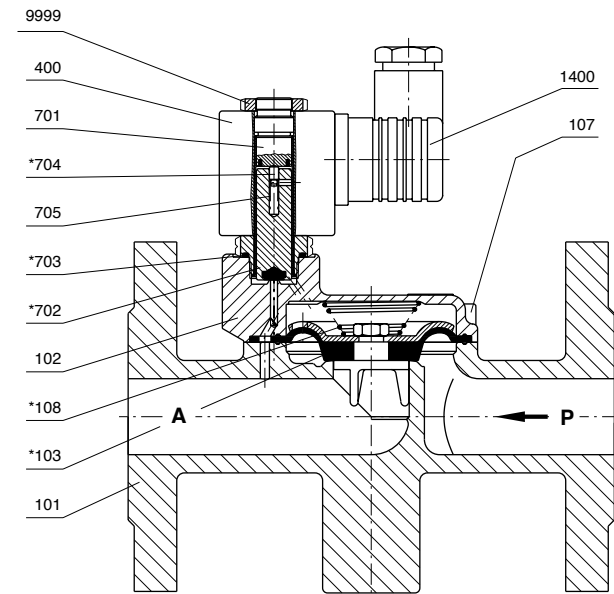
Further models

available at extra cost

- XX XXX **01.XXXX** Normally open
- XX XXX **02.XXXX** Manual override
- XX XXX **03.XXXX** Seat seal FPM ²⁾
- XX XXX **14.XXXX** Seat seal EPDM ²⁾
- XX XXX **17.XXXX** Normally open; Seat seal FPM ²⁾
- XX XXX **20.XXXX** Manual override; Seat seal FPM ²⁾

²⁾ Up to max. temperature +130 °C, only in combination with

Section



- | | |
|---------------------------|----------------------|
| 101 Valve body | *702 Core |
| 102 Body cover | *703 O-ring |
| *103 Diaphragm | *704 Guide bolt |
| 107 Cheese head cap screw | *705 Pressure spring |
| 108 Pressure spring | 1400 Socket |
| 400 Solenoid | 9999 Hexagon nut |
| 701 Core tube | |

*These individual parts form a complete wearing unit.
 When ordering spare parts please state Cat no and series no.

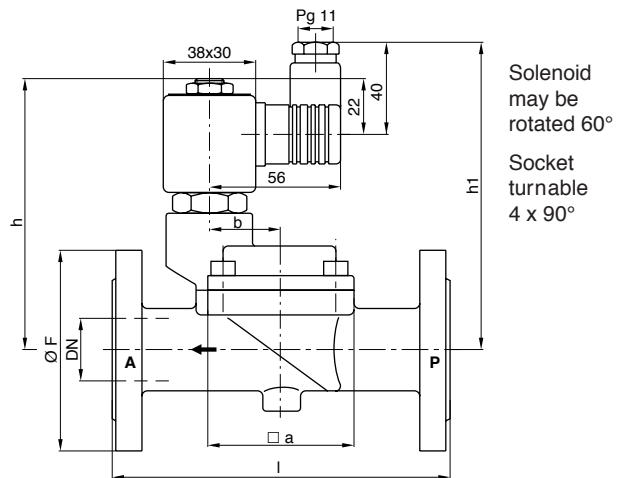
Power consumption ¹⁾

Solenoid	DC	AC	
		Inrush	Holding
0201	11 W	22 VA	15 VA

¹⁾ According to VDE 0580 at coil temperature +20 °C. In operating the solenoid coil decrease the power consumption appr. 30 %.

- XX XXX XX.**0901** Solenoid for higher temperature, up to +130 °C
- XX XXX XX.**0922** Same as 0901, switching function: Normally open
- XX XXX XX.**9336** Solenoid in protection class EEx me II T4
- XX XXX XX.**9341** Solenoid in protection class EEx me II T3
- **On request** Marine design

Dimensions



Flange connection PN 16 acc. to DIN 2533
 Contact face acc. DIN 2526 Type C

Dimension table no	□ a	b	l	h
01	70	32	150	105
02	70	32	160	105
03	96	47	180	118
04	96	47	200	122
05	112	55	230	132
Dimension table no	h ₁	ND	ØF	
01	123	20	105	
02	123	25	115	
03	136	32	140	
04	140	40	150	
05	150	50	165	