

2/2-way valves ND 6 to 50



For aggressive fluids
 Solenoid actuated, with forced lifting
 Diaphragm valves
 Connection: Thread, Adhesive / Welded socket
 Operating pressure 0/0.5 to 6 bar



Publication 7501593.06.10.94
 Catalogue index
A 12
 83 570 series

Description (standard valve)

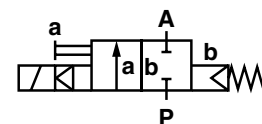
Solenoid valve for acid resp. base aggressive gaseous and liquid fluids

Flow direction: determined
 Fluid temperature: max. +50 °C
 Ambient temperature: max. +40 °C
 Cycles: 12 / min
 Material Body: PVC
 Seat seal: EPDM
 Internal parts: PVC, PVDF



Features

- Flow fluid separate of drive
- Manuel override
- Optical position indicator
- Damped operation



Switching function:
 Normally closed

Characteristic data

ND	Connection	Operating pressure with gaseous and liquid fluids up to 40 mm ² /s [bar]		k _v -value ¹⁾ (Base m ³ /h)	Weight [kg]	Section no	Dimension table no	Cat no			
		min.	max.					Valve	Solenoid DC	Valve	Solenoid AC
[mm]								XXXXXXX.XXXX	XXXXXXX.XXXX	XXXXXXX.XXXX	XXXXXXX.XXXX
6	G 1/4	0	6	0.91	0.35	01	01	-			8357000.9772
10	G 3/8	0	6	2.40	0.85	02	02	8357100.9773			8357100.9774
15	S	0.5 ²⁾	6	3.40	0.90	03	03	8357200.2519			8357200.2509
20	S	0.5 ²⁾	6	4.40	0.90	03	04	8357300.2519			8357300.2509
25	S	0	6	10.00	2.80	04	05	8357400.2516			8357400.2517
32	S	0	6	15.00	2.80	04	06	8357500.2516			8357500.2517
40	S	0	6	19.00	3.60	04	07	8357600.2516			8357600.2517
50	S	0	6	25.00	3.60	04	08	8357700.2516			8357700.2517

S = Adhesive / Welded socket

¹⁾ C_v-value (US) ≈ k_v-value x 1.2

²⁾ Minimum pressure differential P→A 0.5 bar

State voltage [V] and frequency [Hz]

IMI Norgren Buschjost GmbH + Co. KG

PO Box 10 02 52-53
 D-32502 Bad Oeynhausen

Tel +49 (0) 57 31 79 10
 Fax +49 (0) 57 31 79 11 79

<http://www.buschjost.com>
 e-mail: mail@buschjost.de

Solenoids

Standard voltages	DC	AC 40 Hz to 60 Hz
	– 24 V – –	– 24 V 110 V 230 V

Design acc. to VDE 0580
Voltage range +5 % / -10 %
100 % duty cycle

For technical details see catalog-register "Solenoids"

Power consumption

Solenoid	DC		Solenoid	AC	
	Inrush	Holding		Inrush	Holding
2516	90 W	10 W	2517	144 VA	28 VA
2519	90 W	10 W	2509	100 VA	11 VA
9773	90 W	10 W	9772	42 VA	14 VA
			9774	110 VA	11 VA

Protection class acc. to EN 60529 IP 65
(previous DIN 40050)
Socket acc. to DIN 43 650

Further models

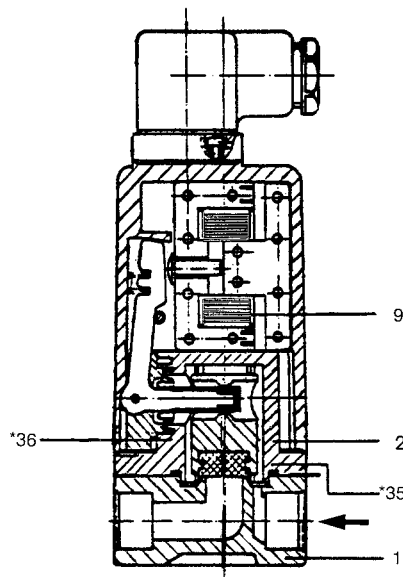
available at extra cost

● XX XXX 03.XXXX Seat seal FPM

● On request Further versions

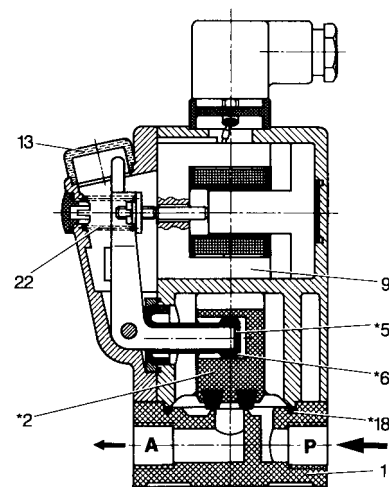
Sections

01



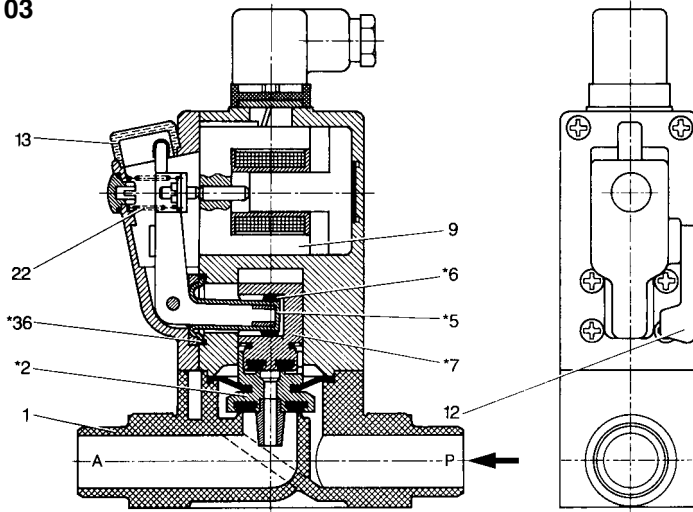
- 1 Valve body
- 2 Piston assembly complete
- 9 Solenoid complete
- *35 O-ring
- *36 O-ring

02



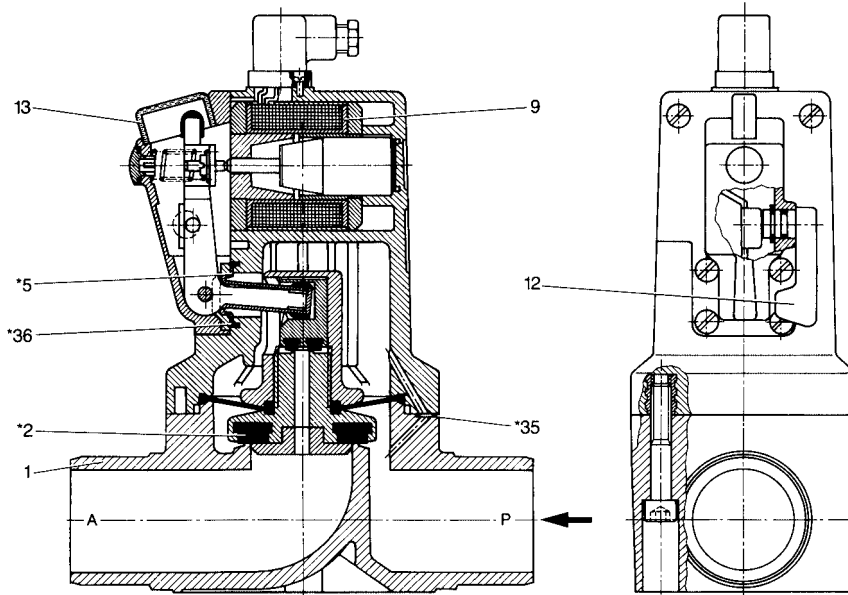
- 1 Valve body
- *2 Piston complete
- *5 Bushing
- *6 Thrust pad
- 9 Solenoid complete
- 13 Control glass
- *18 O-ring
- 22 Pressure spring

03



- 1 Valve body
- *2 Piston assembly
- *5 Bushing
- *6 Thrust pad
- *7 Piston complete
- 9 Solenoid complete
- 12 Hand lever
- 13 Control glass
- 22 Pressure spring
- *36 O-ring

04



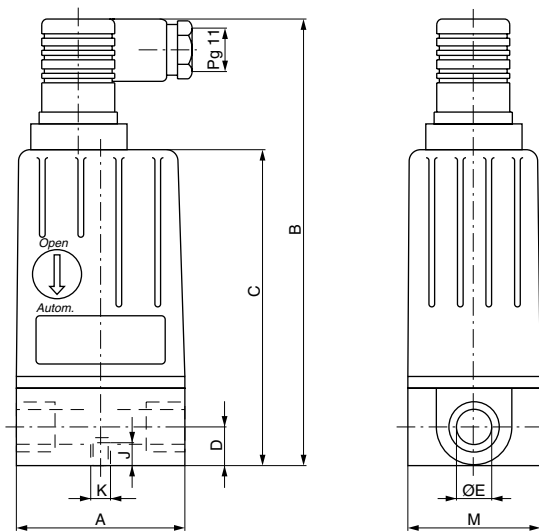
- 1 Valve body
- *2 Piston assembly
- *5 Bushing
- 9 Solenoid complete
- 12 Hand lever
- 13 Control glass
- *35 O-ring
- *36 O-ring

* These individual parts form a complete wearing unit.

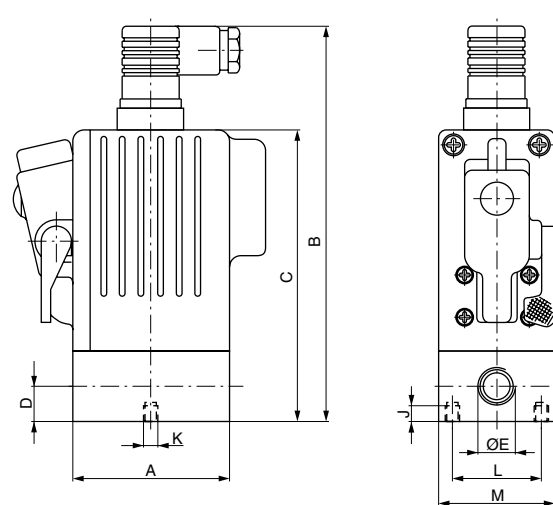
When ordering spare parts please state Cat no and series no.

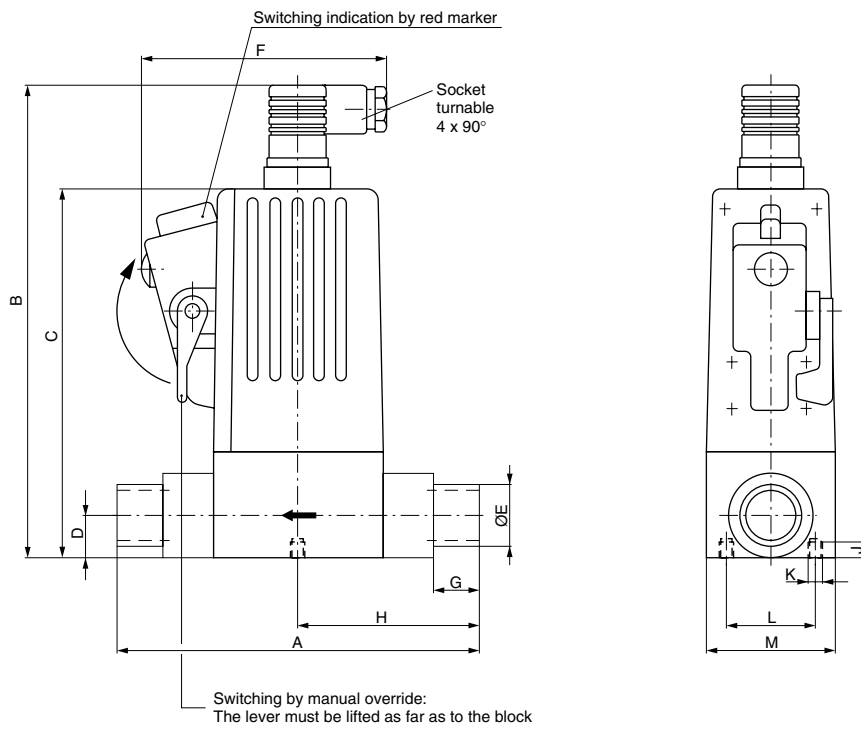
Dimensions

01



02





Dimensional drawing no	ND	Assembly dimension A	Height B	C	D	Ø E (AD)	F	G	H	J	K	L	M
01	6	52	142	107	12	6	52	–	–	7	M 5	30.0	42
02	10	68	165	126	15	10	112	–	–	7	M 5	40.0	52
03	15	124	185	146	17	20	112	16	62	7	M 5	40.0	52
04	20	144	185	146	17	25	112	18	72	7	M 5	40.0	52
05	25	154	235	200	24	32	140	22	77	10	M 8	44.5	88
06	32	174	235	200	24	40	140	26	87	10	M 8	44.5	88
07	40	194	277	242	33	50	140	31	97	10	M 8	44.5	110
08	50	224	277	242	33	63	140	39	112	10	M 8	44.5	110