

# 2/2-way-Group mounting ND 3.0 and ND 4.5



For neutral gaseous and liquid fluids  
 Directly solenoid actuated  
 Seat valves  
 Internal threads, see characteristic data  
 Operating pressure 0 to 10 bar



Publication 7501587.06.10.94  
 Catalogue index  
**A 3**  
 83 600, 83 610 series

## Description (standard valve)

Solenoid valve for air, water, oil

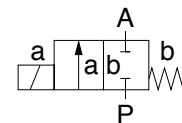
Flow direction: determined  
 Fluid temperature: max. +90 °C  
 Ambient temperature: max. +50 °C  
 Sum of fluid and ambient temperature: max. +130 °C  
 Mounting position: optional, preferably solenoid vertical on top  
 Material Body: Brass  
 Seat seal: NBR  
 Internal parts: 1.4104, 1.4301



For contaminated fluids insertion of a strainer is recommended (see accessories)

## Features

- Compact construction
- Group mounting up to 8 valves in-line
- Small pipe expenditure
- Extensive accessories



**Switching Function:**  
 Normally closed

## Characteristic data

ND [mm]	Connection (Thread acc. to DIN ISO 228/1)		Operating pressure with gaseous and liquid fluids up to 25 mm <sup>2</sup> /s (cSt) [bar]		kv-value <sup>1)</sup> (Base m <sup>3</sup> /h)	Weight [kg]	Dimension table no	Valve Cat no		
	P	A	min.	max.				XX	XXX	XX.XXXX
3.0	G 3/8	G 1/4	0	10	0.28	0.5	01	83 601	00.9201	
4.5	G 3/8	G 1/4	0	6	0.42	0.5	01	83 601	60.9201	
3.0	G 3/8	G 3/8	0	10	0.28	0.5	02	83 611	00.9201	
4.5	G 3/8	G 3/8	0	6	0.42	0.5	02	83 611	60.9201	

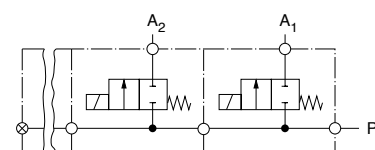
<sup>1)</sup> C<sub>v</sub>-value (US) □ kv-value x 1.2

State voltage [V] and frequency (Hz)

## Group mounting valves (valves are complete assembled)

Valve quantity	Dimension table No.	Cat.No. XX XXX XX.XXXX
2	03	83 6X2 X0.9201
3	04	83 6X3 X0.9201
4	05	83 6X4 X0.9201
5	06	83 6X5 X0.9201
6	07	83 6X6 X0.9201
7	08	83 6X7 X0.9201
8	09	83 6X8 X0.9201

**Attention:** In the separate valve "Characteristic data" a blanking plug and a hexagon nut is required for connection. Details as per page 2.



Symbol-Group mounting valves

## IMI Norgren Buschjost GmbH + Co. KG

PO Box 10 02 52-53  
 D-32502 Bad Oeynhausen

Tel +49 (0) 57 31 79 10  
 Fax +49 (0) 57 31 79 11 79

<http://www.buschjost.com>  
 e-mail: mail@buschjost.de

## Solenoids

Standard Voltages	DC	AC	
		50 Hz	60 Hz
	24 V	24 V	–
	–	110 V	120 V
	205 V	230 V	220 V

Design acc. to VDE 0580

100 % duty cycle

Voltage range  $\pm 10\%$

Protection class acc. to EN 60529 IP 65

(previous DIN 40050)

Socket acc. to DIN 43 650

For technical details see catalog-register "Solenoids"

## Further models

available at extra cost

- XX XXX **02 (62<sup>1)</sup>)**.XXXX Manual override
- XX XXX **03 (63<sup>1)</sup>)**.XXXX Seat seal FPM, preferably for fuel and oil, max. fluid temperature +110 °C
- XX XXX **14 (64<sup>1)</sup>)**.XXXX Seat seal EPDM, for hot water, fluid temperature max. +110 °C
- XX XXX **18**.XXXX Degreased version
- XX XXX **65**.XXXX<sup>1)</sup> seals FPM
- **On request** Further versions

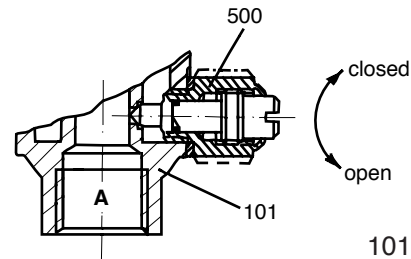
<sup>1)</sup> Series ND 4,5

## Power consumption <sup>1)</sup>

Solenoid	DC	AC	
		Inrush	Holding
9201	12 W	25 VA	20 VA

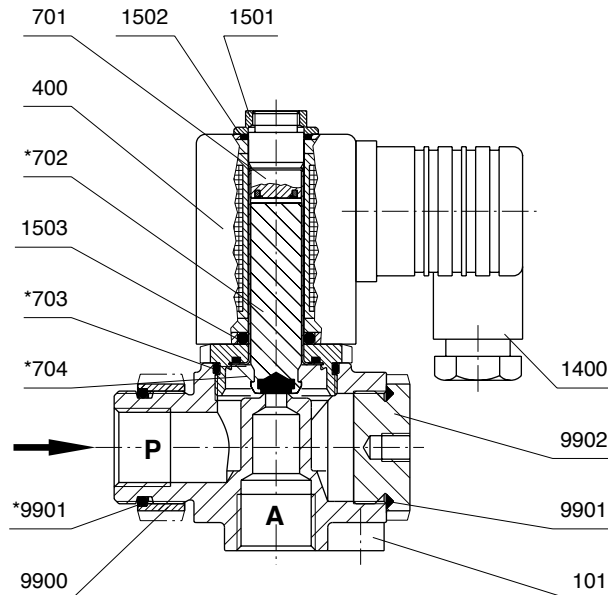
<sup>1)</sup> According to VDE 0580 at coil temperature +20 °C. In operating the solenoid coil decrease the power consumption appr. 30 %.

## Manual override



101 Valve body  
500 Manual override

## Section



- 101 Valve body
- 400 Solenoid
- 701 Core tube
- \* 702 Core
- \* 703 O-ring
- \* 704 Pressure spring
- 1400 Socket
- 1501 Hexagon-nut
- 1502 O-ring
- 1503 O-ring
- 9900 Hexagon-nut
- 9901 O-ring
- 9902 Stopper

\* These individual parts form a complete wearing unit. When ordering spare parts please state cat no and series no.

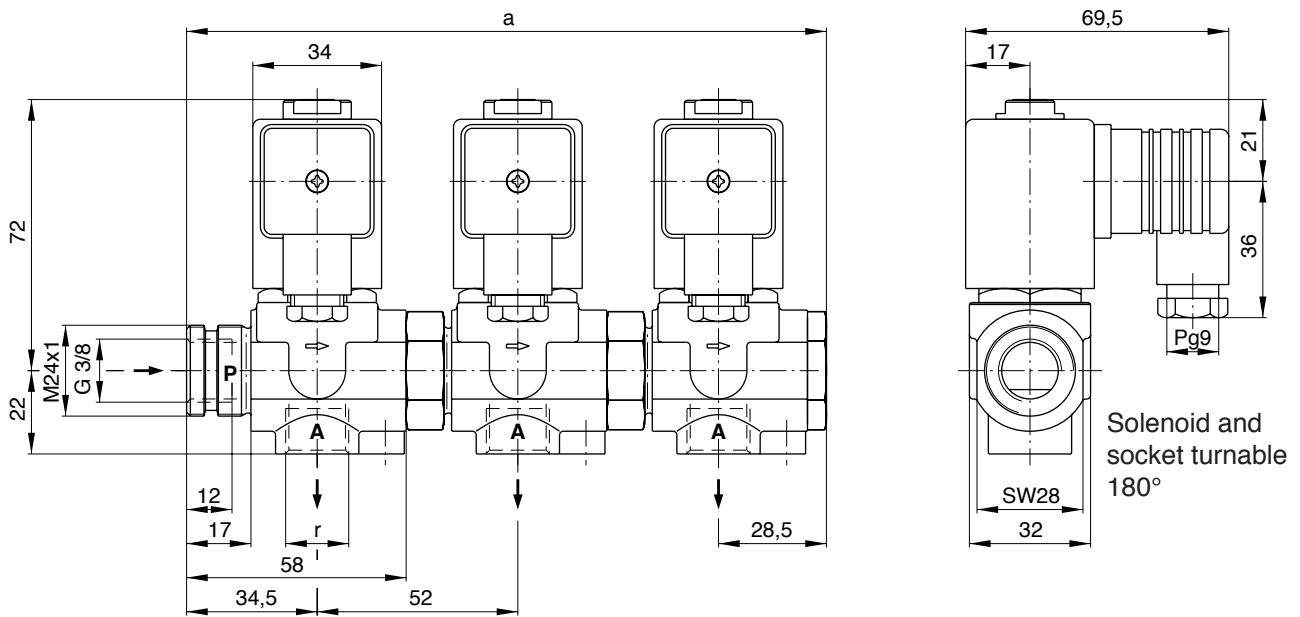
### Attention!

When ordering an individual valve, the item 9900 up to 9902 are not included. These parts must be ordered separately.

9900 and 9901 = Part No. 1241202

9902 and 9901 = Part.No. 1241110

## Dimensions

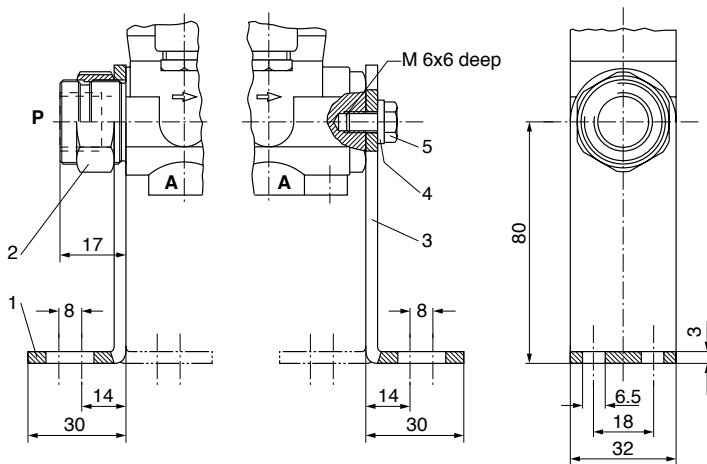


On request mounting drill M5 in the valve body:

Dimension table No.	01	02	03	04	05	06	07	08	09
Valve quantity	1	1	2	3	4	5	6	7	8
a	-	-	115	167	219	271	323	375	427
r	G 1/4	G 3/8	Series G 1/4 or G 3/8 see characteristic data						

## Accessories

### Mounting parts

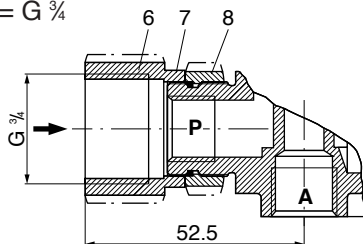


Part-No. **12 412 03**,  
consisting of:

- 1 Bracket
- 2 Hexagon nut
- 3 Bracket
- 4 Washer
- 5 Hexagon screw

### Enlarged pressure connection,

P= G 3/4



If assembly **without** bracket:  
Part-No. **12 414 38**,  
consisting of:

- 6 Adapter
- 7 O-ring
- 8 Hexagon nut

If assembly **with** bracket:  
Part-No. **12 411 04**,  
consisting of:

- 6 Adapter
- 7 O-ring

