

2/2-way-Group mounting ND 3.0 and ND 4.5



For neutral gaseous and liquid fluids
 Directly solenoid actuated
 Seat valves
 Internal threads, see characteristic data
 Operating pressure 0 to 10 bar



Publication 7501587.06.10.94
 Catalogue index
A 3
 83 600, 83 610 series

Description (standard valve)

Solenoid valve for air, water, oil

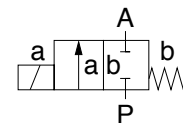
Flow direction: determined
 Fluid temperature: max. +90 °C
 Ambient temperature: max. +50 °C
 Sum of fluid and ambient temperature: max. +130 °C
 Mounting position: optional, preferably solenoid vertical on top
 Material Body: Brass
 Seat seal: NBR
 Internal parts: 1.4104, 1.4301



For contaminated fluids insertion of a strainer is recommended (see accessories)

Features

- Compact construction
- Group mounting up to 8 valves in-line
- Small pipe expenditure
- Extensive accessories



Switching Function:
 Normally closed

Characteristic data

ND [mm]	Connection (Thread acc. to DIN ISO 228/1)		Operating pressure with gaseous and liquid fluids up to 25 mm ² /s (cSt) [bar]		kv-value ¹⁾ (Base m ³ /h)	Weight [kg]	Dimension table no	Valve			Solenoid DC or AC
	P	A	min.	max.				XX	XXX	XX.XXXX	
3.0	G 3/8	G 1/4	0	10	0.28	0.5	01	83	601	00.9201	
4.5	G 3/8	G 1/4	0	6	0.42	0.5	01	83	601	60.9201	
3.0	G 3/8	G 3/8	0	10	0.28	0.5	02	83	611	00.9201	
4.5	G 3/8	G 3/8	0	6	0.42	0.5	02	83	611	60.9201	

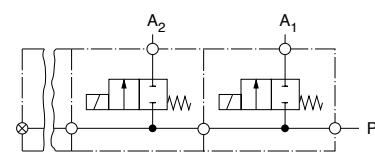
¹⁾ C_v-value (US) □ kv-value x 1.2

State voltage [V] and frequency (Hz)

Group mounting valves (valves are complete assembled)

Valve quantity	Dimension table No.	Cat.No. XX XXX XX.XXXX
2	03	83 6X2 X0.9201
3	04	83 6X3 X0.9201
4	05	83 6X4 X0.9201
5	06	83 6X5 X0.9201
6	07	83 6X6 X0.9201
7	08	83 6X7 X0.9201
8	09	83 6X8 X0.9201

Attention: In the separate valve "Characteristic data" a blanking plug and a hexagon nut is required for connection. Details as per page 2.



Symbol-Group mounting valves

IMI Norgren Buschjost GmbH + Co. KG

PO Box 10 02 52-53
 D-32502 Bad Oeynhausen

Tel +49 (0) 57 31 79 10
 Fax +49 (0) 57 31 79 11 79

<http://www.buschjost.com>
 e-mail: mail@buschjost.de

Solenoids

Standard Voltages	DC	AC	
		50 Hz	60 Hz
	24 V	24 V	–
	–	110 V	120 V
	205 V	230 V	220 V

Design acc. to VDE 0580

100 % duty cycle

Voltage range $\pm 10\%$

Protection class acc. to EN 60529 IP 65

(previous DIN 40050)

Socket acc. to DIN 43 650

For technical details see catalog-register "Solenoids"

Further models

available at extra cost

- XX XXX **02 (62¹⁾**.XXXX Manual override
- XX XXX **03 (63¹⁾**.XXXX Seat seal FPM, preferably for fuel and oil, max. fluid temperature +110 °C
- XX XXX **14 (64¹⁾**.XXXX Seat seal EPDM, for hot water, fluid temperature max. +110 °C
- XX XXX **18**.XXXX Degreased version
- XX XXX **65**.XXXX¹⁾ seals FPM
- **On request** Further versions

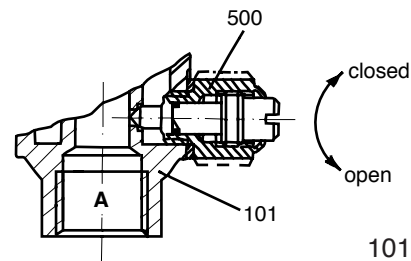
¹⁾ Series ND 4,5

Power consumption ¹⁾

Solenoid	DC	AC	
		Inrush	Holding
9201	12 W	25 VA	20 VA

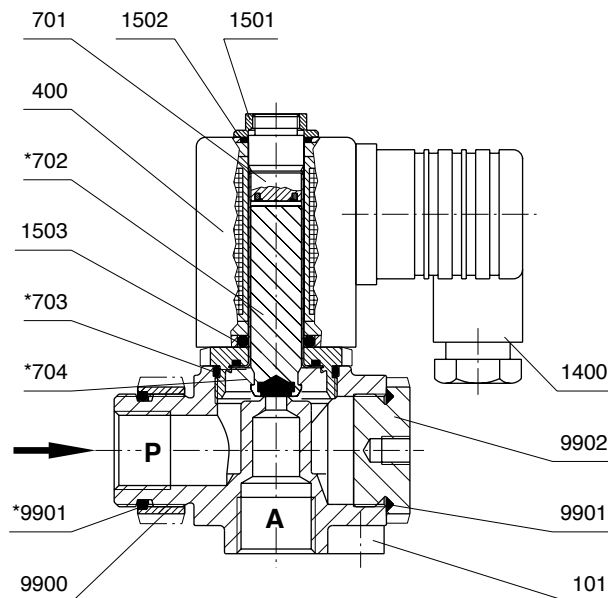
¹⁾ According to VDE 0580 at coil temperature +20 °C. In operating the solenoid coil decrease the power consumption appr. 30 %.

Manual override



101 Valve body
500 Manual override

Section



- 101 Valve body
- 400 Solenoid
- 701 Core tube
- * 702 Core
- * 703 O-ring
- * 704 Pressure spring
- 1400 Socket
- 1501 Hexagon-nut
- 1502 O-ring
- 1503 O-ring
- 9900 Hexagon-nut
- 9901 O-ring
- 9902 Stopper

* These individual parts form a complete wearing unit. When ordering spare parts please state cat no and series no.

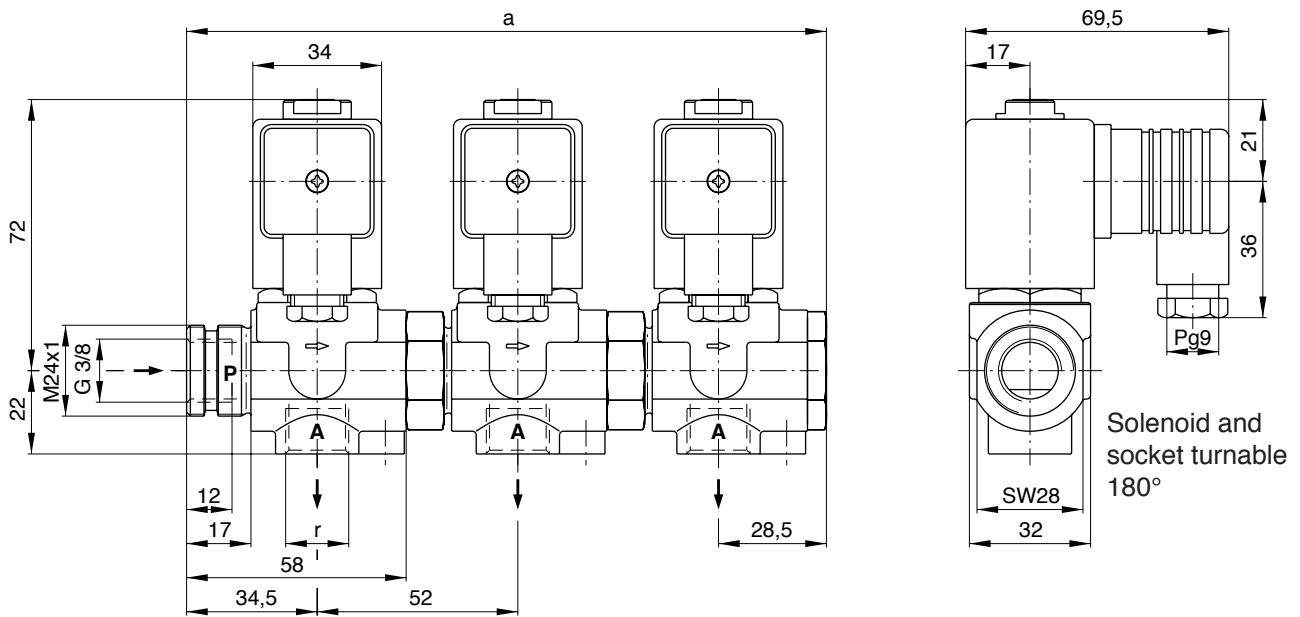
Attention!

When ordering an individual valve, the item 9900 up to 9902 are not included. These parts must be ordered separately.

9900 and 9901 = Part No. 1241202

9902 and 9901 = Part.No. 1241110

Dimensions

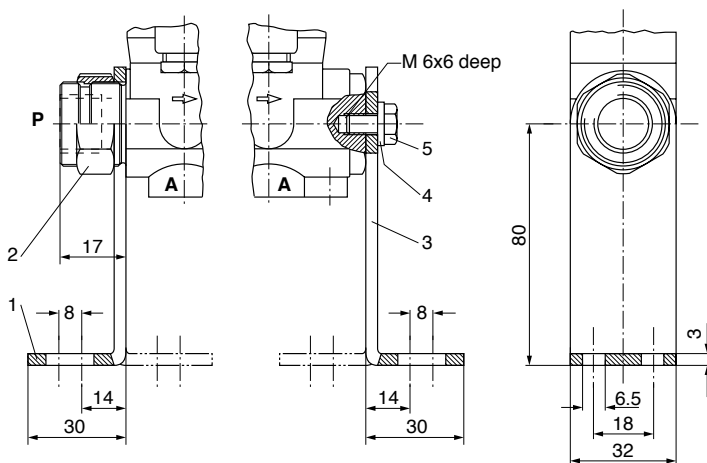


On request mounting drill M5 in the valve body:

Dimension table No.	01	02	03	04	05	06	07	08	09
Valve quantity	1	1	2	3	4	5	6	7	8
a	—	—	115	167	219	271	323	375	427
r	G 1/4	G 3/8	Series G 1/4 or G 3/8 see characteristic data						

Accessories

Mounting parts

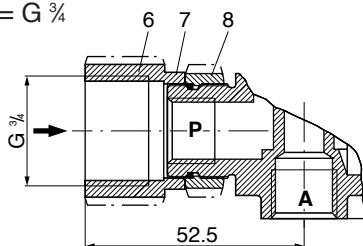


Part-No. **12 412 03**,
consisting of:

- 1 Bracket
- 2 Hexagon nut
- 3 Bracket
- 4 Washer
- 5 Hexagon screw

Enlarged pressure connection,

P= G 3/4



If assembly **without** bracket:
Part-No. **12 414 38**,
consisting of:

- 6 Adapter
- 7 O-ring
- 8 Hexagon nut

If assembly **with** bracket:
Part-No. **12 411 04**,
consisting of:

- 6 Adapter
- 7 O-ring

