

2/2-way-Group mounting ND 10



For neutral gaseous and liquid fluids
Indirectly solenoid actuated
Diaphragm valves
Internal threads, see characteristic data
Operating pressure 0.1 to 10 bar



Publication 7501588.06.10.94
Catalogue index
A 6
83 620, 83 630 series

Description (standard valve)

Solenoid valve for air, water, oil

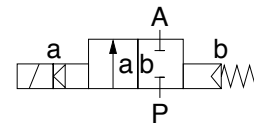
Flow direction: determined
Fluid temperature: max. +90 °C
Ambient temperature: max. +50 °C
Sum of fluid and ambient temperature: max. +130 °C
Mounting position: optional, preferable solenoid vertical on top
Material Body: Brass
Seat seal: NBR
Internal parts: 1.4104, 1.4301



For contaminated fluids insertion of a strainer is recommended (see accessories)

Features

- Compact construction
- Group mounting up to 8 valves in-line
- Small pipe expenditure
- Extensive accessories



Switching function:
Normally closed

Characteristic data

Standard-separate valve

ND	Connection (Thread acc.to DIN ISO228/1)		Operating pressure with gaseous and liquid fluids up to 25 mm ² /s (cSt) [bar]		k _v -value ¹⁾ (Base m ³ /h)	Weight [kg]	Dimension table no	Cat. No.		
	P	A	min.	max.				Valve	Solenoid DC or AC	XX XXX XX.XXXX
10	G 3/8	G 1/4	0.1	10	1.5	0.5	01	83 621	00.8001	
10	G 3/8	G 3/8	0.1	10	1.7	0.5	02	83 631	00.8001	

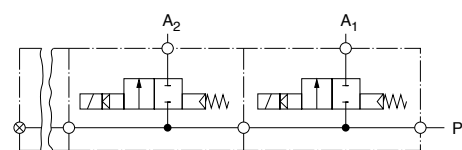
1) C_v-value (US) □ k_v-value x 1.2

State voltage [V] and frequency (Hz)

Group-mounting valves (valves are complete assembled)

Valve quantity	Dimension table no	Cat.No. XX XXX XX.XXXX
2	03	83 6X2 00.8001
3	04	83 6X3 00.8001
4	05	83 6X4 00.8001
5	06	83 6X5 00.8001
6	07	83 6X6 00.8001
7	08	83 6X7 00.8001
8	09	83 6X8 00.8001

Attention: In the separate valve "Characteristic data" a blanking plug and a hexagon nut is required for connection. Details as per page 2.



Symbol-Group mounting valves

IMI Norgren Buschjost GmbH + Co. KG

PO Box 10 02 52-53
D-32502 Bad Oeynhausen

Tel +49 (0) 57 31 79 10
Fax +49 (0) 57 31 79 11 79

<http://www.buschjost.com>
e-mail:mail@buschjost.de

Solenoids

Standard Voltages	DC	AC	
		50 Hz	60 Hz
	24 V	24 V	–
	–	110 V	120 V
	205 V	230 V	220 V

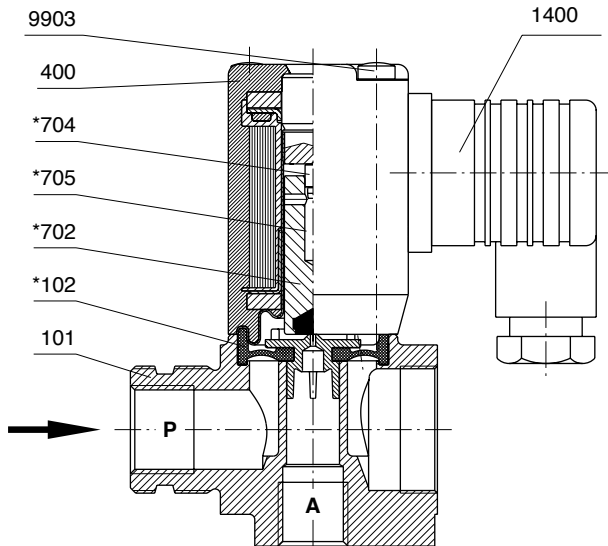
Design acc. to VDE 0580
 100 % duty cycle
 Voltage range $\pm 10\%$
 Protection class acc. to EN 60529 IP 65
 (previous DIN 40050)
 Socket acc. to DIN 43 650
 For technical details see catalog-register "Solenoids"

Further versions

at extra charge

- XX XXX **02.XXXX** Manual override (k_V -value reduced)
- XX XXX **03.XXXX** Seat seal FPM, preferably for fuel and oil, fluid temperature max.+110 °C
- XX XXX **14.XXXX** Seat seal EPDM, for hot water, fluid temperature max.+110 °C
- XX XXX **18.XXXX** Degreased version, seals FPM

Section



Power consumption ¹⁾

Solenoid	DC	AC	Holding
		Inrush	
8001	12 W	20 VA	16 VA

¹⁾ According to VDE 0580 at coil temperature +20 °C. In operating the solenoid coil decrease the power consumption appr. 30 %.

- XX XXX XX.**8004** DC solenoid with rectifier for AC only
- Further versions on request

- 101 Valve body
- * 102 Diaphragm
- 400 Solenoid
- * 702 Core
- * 704 Guide pin
- * 705 Pressure spring
- 1400 Socket
- 9903 Oval head screw

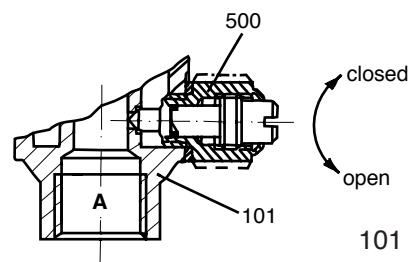
* These individual parts form a complete wearing unit. When ordering spare parts please state cat no and series no.

Attention!

When ordering an individual valve, the item 9900 up to 9902 are **not** included. These parts must be ordered separately.

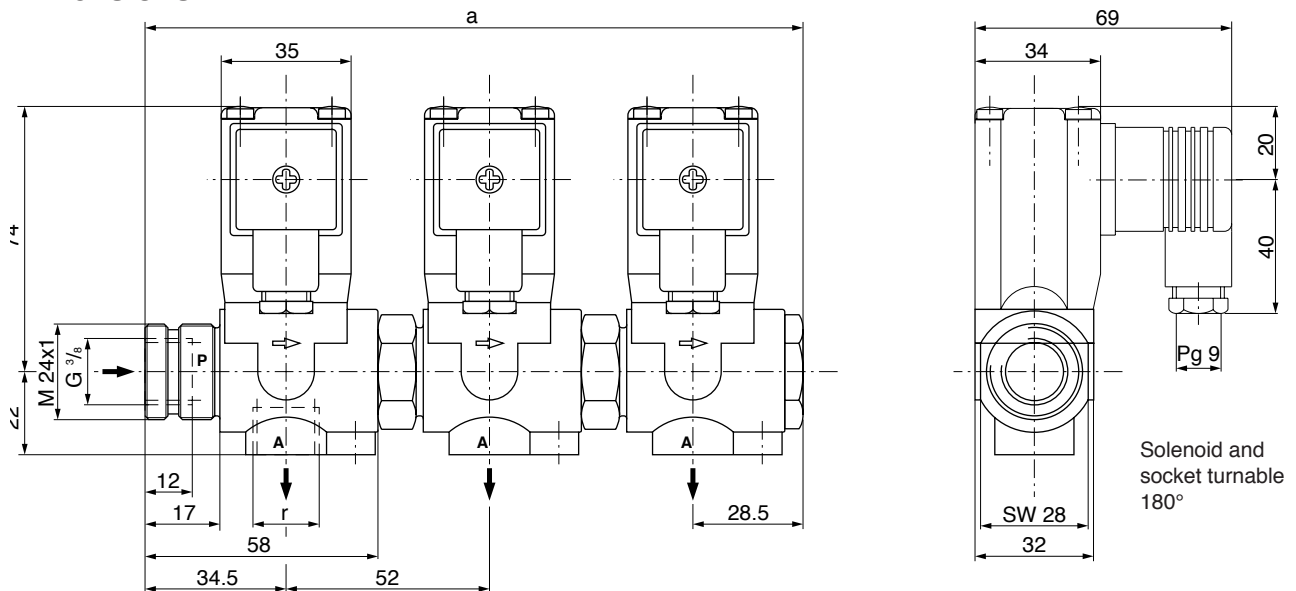
9900 and 9901 = Part No. 1241202
 9902 and 9901 = Part.No. 1241110

Manual override



- 101 Valve body
- 500 Manual override

Dimensions

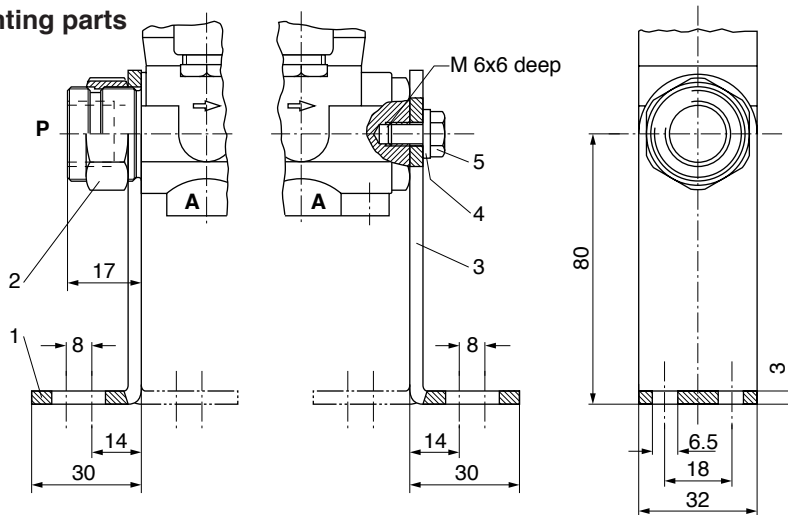


On request mounting drill M5 in the valve body:

Dimension table no	01	02	03	04	05	06	07	08	09
Valve quantity	1	1	2	3	4	5	6	7	8
a	-	-	115	167	219	271	323	375	427
r	G 1/4	G 3/8	Series G 1/4 or G 1/2 see characteristic data						

Accessories

Mounting parts

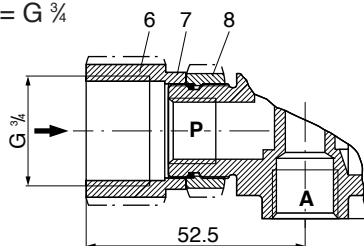


Part-No. **12 412 03**,
consisting of:

- 1 Bracket
- 2 Hexagon nut
- 3 Bracket
- 4 Washer
- 5 Hexagon screw

Enlarged pressure connection,

P= G 3/4



If assembly **without** bracket:
Part-No. **12 414 38**,
consisting of:

- 6 Adapter
- 7 O-ring
- 8 Hexagon nut

If assembly **with** bracket:
Part-No. **12 411 04**,
consisting of:

- 6 Adapter
- 7 O-ring

