

Characteristic Data

Valves

Part Number ◊	Nominal Diameter (mm)	Connection to	Operating pressure *		kv-value ** (Base m ³ /h)	Weight total (kg) ***
			min. (bar)	max. (bar)		
Actuator Ø 70 mm						
8458200.0000 8459200.0000	15	DIN, Series 1 ISO	0	16.0	4.80	1.3
8458300.0000 8459300.0000	20	DIN, Series 1 ISO	0	10.0	10.0	1.4
8458400.0000 8459400.0000	25	DIN, Series 2 ISO	0	10.0	14.0	1.7
8458500.0000 8459500.0000	32	DIN, Series 2 ISO	0	7.0	23.0	2.4
8458600.0000 8459600.0000	40	DIN, Series 2 ISO	0	4.5	30.0	2.6
8458700.0000 8459700.0000	50	DIN, Series 3 ISO	0	3.0	37.0	3.8
Actuator Ø 125 mm						
8488500.0000 8489500.0000	32	DIN, Series 2 ISO	0	10.0	27.0	5.1
8488600.0000 8489600.0000	40	DIN, Series 2 ISO	0	10.0	37.0	5.5

* For gases and liquid fluids up to 600 mm²/s (cSt)

** Cv-value (US) ≈ kv-value x 1,2

***without pilot valve

◊ Note: **0000** without pilot valve
0164 with pilot valve for DC
0165 with pilot valve für AC

State voltage [V] and frequency [Hz]

Pilot pressure 3.5 - 8 bar, Pilot connection Z2
Pilot pressure 1 - 6 bar, Pilot connection Z1

Notes for 3/2-way pilot valve

Material body brass 2.0402
Pilot fluid temperature max. +60 °C
Pilot pressure: p_{max} = 8 bar
Standard voltages: 24 V DC, 24 V AC, 230 V AC

Data for 3/2-way pilot valve

Technical data see publication D107902
Design acc. to DIN VDE 0580
Voltage range ± 10 %
Duty cycle (ED) 100 %
Protection class to EN 60529 IP 65
Socket Form A acc. to DIN EN 175301-803 (included)

Further Options (Valves)

XXXXX**01**.XXXX Normally open, closes with pilot pressure and opens with spring force (pilot pressure 1 - 6 bar)

XXXXX**23**.XXXX Double electrical position indicator with solenoid switches

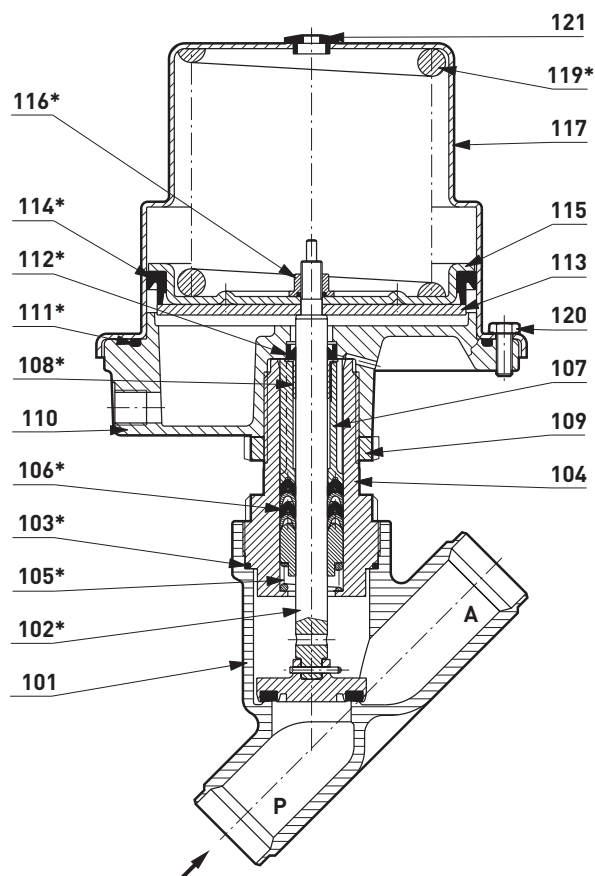
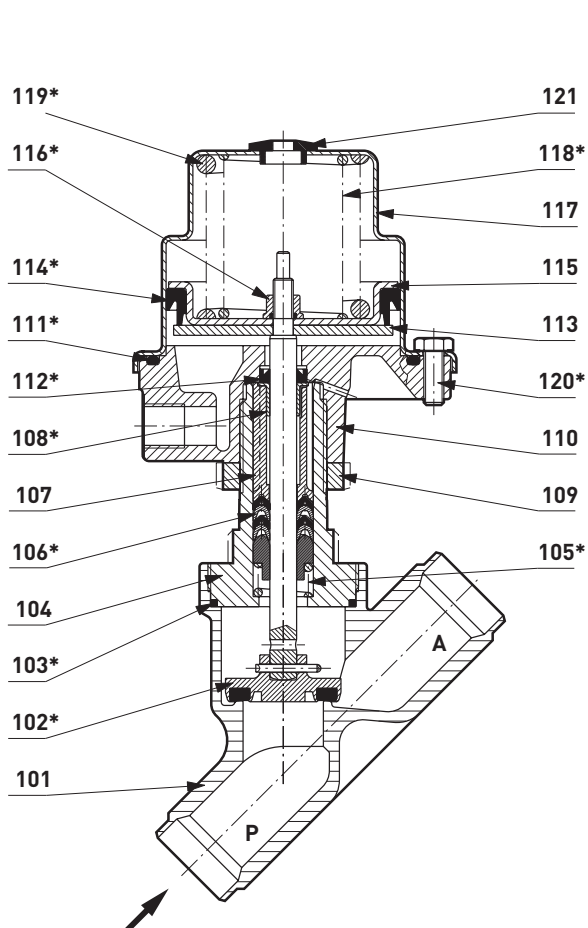
XXXXX**60**.XXXX Actuator stainless steel; max. fluid temperature +200 °C

On Request Further versions e. g. optical position indicator

Section view

Actuator Ø 70 mm

Actuator Ø 125 mm



- 101 Valve body
- *102 Valve spindle assembly
- *103 Gasket
- 104 Screw piece
- *105 Pressure spring
- *106 Spindle sealing
- 107 Spacer sleeve
- *108 Sleeve bearing
- 109 Nut
- 110 Bottom of control head housing

- *111 O-ring
- *112 FPM lip seal
- 113 Round plate
- *114 Lip seal
- 115 Round plate
- *116 Seal-lock-nut
- 117 Control head housing
- *118 Pressure spring (only for DN 50)
- *119 Pressure spring
- 120 Hexagon screw
- 121 Plug

* These individual parts form a complete wearing unit.
When ordering spare parts please state valve Cat No and Series No.

