

2/2-way-valves DN 15 to DN 50

For aggressive gases and liquid fluids

Pressure actuated by external fluid

Seat valves

Connection DIN 11850

Operating pressure 0 to 16 bar (see table)



DIN
84580
84880

ISO
84590
84890

Description (standard valve)

Switching function: normally closed
Flow direction: determined
Mounting position: optional

Process fluid characteristics / Valve material

Fluid temperature: 0 °C to max. +180 °C
Ambient temperature: 0 °C to max. +60 °C
Material Body: Stainless steel (1.4581)
Seat seal: PTFE
Internal parts: Sandvik 1802 Stainless steel
Seal packing: PTFE / FPM, self-adjustable

Pilot fluid characteristics / Actuator material

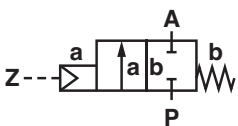
Pilot connection: G 1/4
Pilot fluid: neutral gases
Fluid temperature: max. +80 °C
Material body: Stainless steel, WEMA-Kor coated aluminium
Seals: NBR
Internal parts: Coated steel



Features

- High flow rate
- Suitable for contaminated flow fluids
- Damped closing (Valves closes against flow direction)
- For robust industry applications
- Suitable for vacuum up to max. 90 %

Symbol



Order information

For order no. see page 2; e. g. 8458400.0000 for a DN 25 valve with DIN welded ends without pilot valve.

D105901.01
10/12

Buschjost GmbH
Valve Technology and Systems

Detmolder Straße 256
D-32545 Bad Oeynhausen
PO Box 100252-53
D-32502 Bad Oeynhausen

Phone ++49 5731/791-0
Fax ++49 5731/791-179
www.buschjost.com
mail@buschjost.com



Characteristic Data

Valves

Part Number ◊	Nominal Diameter (mm)	Connection to	Operating pressure *		kv-value ** (Base m³/h)	Weight total (kg) ***
			min. (bar)	max. (bar)		
Actuator Ø 70 mm						
8458200.0000 8459200.0000	15	DIN, Series 1 ISO	0	16.0	4.80	1.3
8458300.0000 8459300.0000	20	DIN, Series 1 ISO	0	10.0	10.0	1.4
8458400.0000 8459400.0000	25	DIN, Series 2 ISO	0	10.0	14.0	1.7
8458500.0000 8459500.0000	32	DIN, Series 2 ISO	0	7.0	23.0	2.4
8458600.0000 8459600.0000	40	DIN, Series 2 ISO	0	4.5	30.0	2.6
8458700.0000 8459700.0000	50	DIN, Series 3 ISO	0	3.0	37.0	3.8
Actuator Ø 125 mm						
8488500.0000 8489500.0000	32	DIN, Series 2 ISO	0	10.0	27.0	5.1
8488600.0000 8489600.0000	40	DIN, Series 2 ISO	0	10.0	37.0	5.5

* For gases and liquid fluids up to 600 mm²/s (cSt)

** Cv-value (US) ≈ kv-value x 1,2

***without pilot valve

◊ Note: **0000** without pilot valve
0164 with pilot valve for DC
0165 with pilot valve für AC

State voltage [V] and frequency [Hz]

Pilot pressure 3.5 - 8 bar, Pilot connection Z2
Pilot pressure 1 - 6 bar, Pilot connection Z1

Notes for 3/2-way pilot valve

Material body brass 2.0402

Pilot fluid temperature max. +60 °C

Pilot pressure: $p_{max} = 8$ bar

Standard voltages: 24 V DC, 24 V AC, 230 V AC

Data for 3/2-way pilot valve

Technical data see publication D107902

Design acc. to DIN VDE 0580

Voltage range ± 10 %

Duty cycle (ED) 100 %

Protection class to EN 60529 IP 65

Socket Form A acc. to DIN EN 175301-803 (included)

Further Options (Valves)

XXXXX**01**.XXXX Normally open, closes with pilot pressure and opens with spring force (pilot pressure 1 - 6 bar)

XXXXX**23**.XXXX Double electrical position indicator with solenoid switches

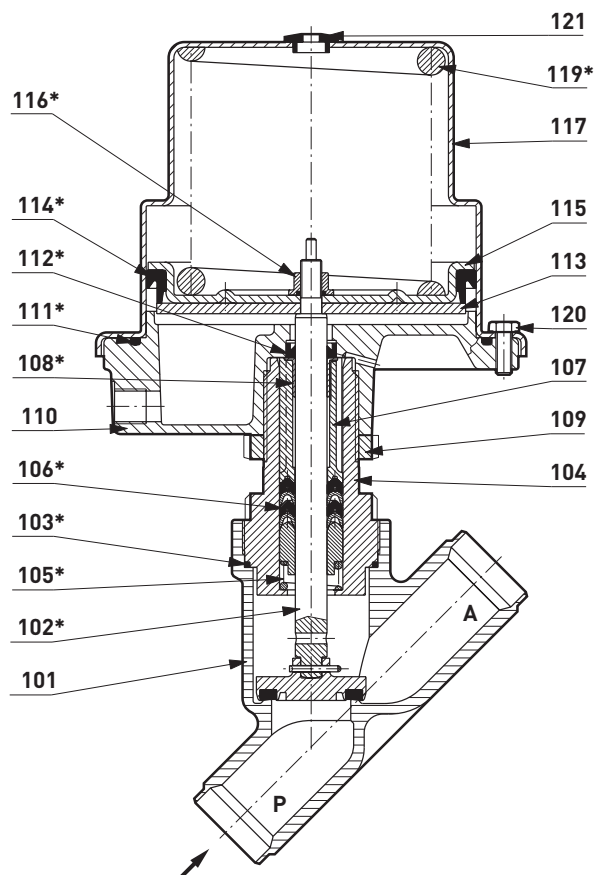
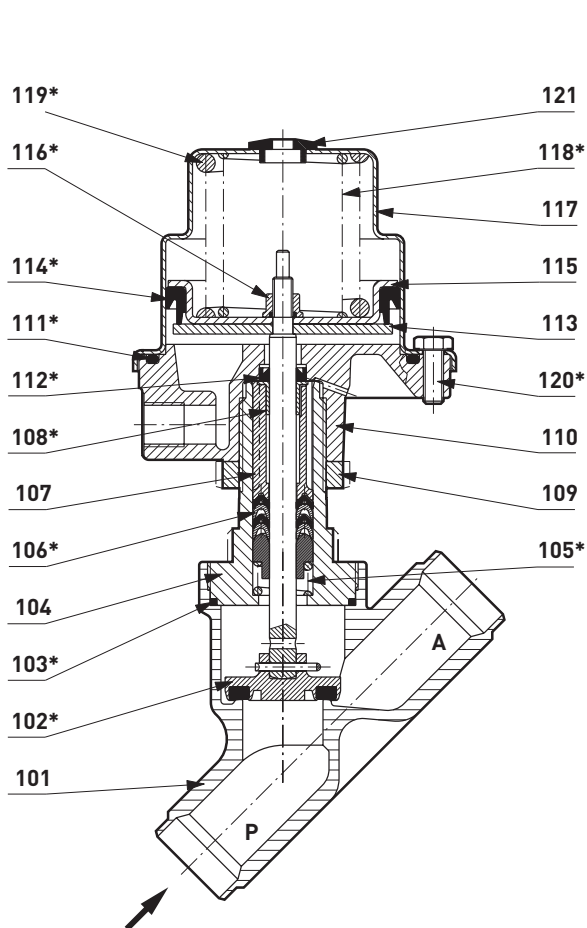
XXXXX**60**.XXXX Actuator stainless steel; max. fluid temperature +200 °C

On Request Further versions e. g. optical position indicator

Section view

Actuator Ø 70 mm

Actuator Ø 125 mm



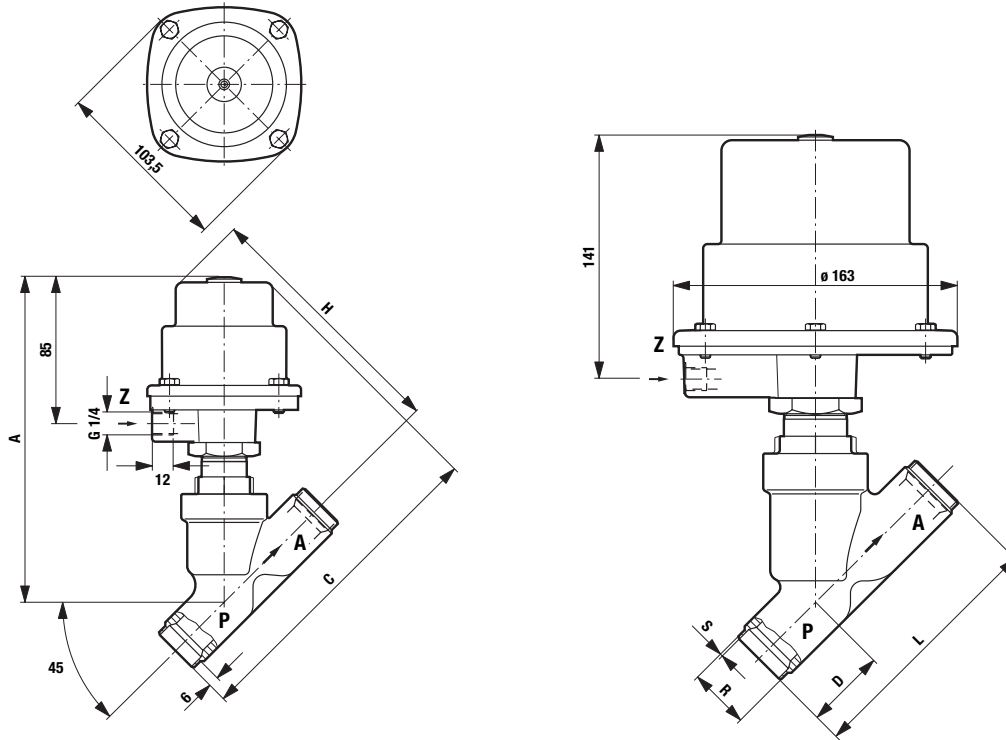
- 101 Valve body
- *102 Valve spindle assembly
- *103 Gasket
- 104 Screw piece
- *105 Pressure spring
- *106 Spindle sealing
- 107 Spacer sleeve
- *108 Sleeve bearing
- 109 Nut
- 110 Bottom of control head housing

- *111 O-ring
- *112 FPM lip seal
- 113 Round plate
- *114 Lip seal
- 115 Round plate
- *116 Seal-lock-nut
- 117 Control head housing
- *118 Pressure spring (only for DN 50)
- *119 Pressure spring
- 120 Hexagon screw
- 121 Plug

* These individual parts form a complete wearing unit.
When ordering spare parts please state valve Cat No and Series No.

General Dimensions

Actuator may be rotatable 360°



Part Number	Nominal Diameter (mm)	Connection to	R (mm)	S (mm)	A (mm)	C (mm)	D (mm)	H (mm)	L (mm)
Actuator Ø 70 mm									
8458200.0000 8459200.0000	15	DIN, Series 1	21.3	1.6	176	175	35.0	140.0	100
8458300.0000 8459300.0000	20	DIN, Series 1	26.9	1.6	182	184	39.0	145.0	110
8458400.0000 8459400.0000	25	DIN, Series 2	33.7	2.0	190	190	40.0	150.5	120
8458500.0000 8459500.0000	32	DIN, Series 2	42.4	2.0	205	207	46.0	161.0	143
8458600.0000 8459600.0000	40	DIN, Series 2	48.3	2.0	207	213	51.0	162.0	160
8458700.0000 8459700.0000	50	DIN, Series 3	60.3	2.0	219	226	55.5	171.0	181
Actuator Ø 125 mm									
8488500.0000 8489500.0000	32	DIN, Series 2	42.4	2.0	270	271	46.0	221.0	143
8488600.0000 8489600.0000	40	DIN, Series 2	48.3	2.0	272	277	51.0	223.0	160
8488700.0000 8489700.0000	50	DIN, Series 3	60.3	2.0	284	290	55.5	231.0	181

Note to Pressure Equipment Directive (PED):

The valves of this series, including the connection size DN 25 (G 1), are according to Art. 3 § 3 of the Pressure Equipment Directive (PED) 97/23/EG. This means interpretation and production are in accordance to engineers practice wellknown in the member countries.

The CE-sign at the valve refers not to the PED. Thus the declaration of conformity is not longer applicable for this directive.

For valves > DN 25 (G 1) Art. 3 § (1) No.1.4 applies.
The basic requirements of the Enclosure I of the PED must be

fulfilled. The CE-sign at the valve includes the PED. A certificate of conformity of this directive will be available on request.

Note to Electromagnetic Compatibility Guideline (IEC):

The valves shall be provided with an electrical circuit which ensures the limits of the harmonised standards EN 61000-6-3 and EN 61000-6-1 are observed, and hence the requirements of the Electromagnetic Compatibility Guideline (2004/108/EG) satisfied.