

3/2-way valves DN 1.6

Pilot valve for pressure actuated valve by external fluid

Directly solenoid actuated

Seat valves

Connection P internal thread G 1/4; Connection A external thread G 1/4

Operating pressure 1 to 8 bar



8495475
8496000

Description (standard valve)

Solenoid valve for filtered, lubricated resp. non-lubricated air or neutral liquid fluids

Switching function:	normally closed connection P normally closed
Flow direction:	determined
Fluid temperature:	-10 °C to max. +60°C
Ambient temperature:	-10 °C to max. +60°C
Mounting position:	optional, preferably solenoid vertical on top



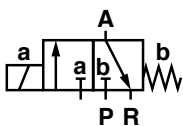
Material

Body:	Brass (2.0402) resp. Stainless steel (Sandvik 1802)
Seat seal:	NBR
Internal parts:	1.4104, 1.4310

Features

- Compact construction
- Complete with screw piece and Gasket
- Exchangeable solenoid system
- Silenced ventilation
- Alternatively for calm air
- Low power consumption
- Reliable switch off at available residual voltage
- Long life PTFE coated core

Symbol



Ordering information

To order, quote model number from table overleaf, e.g. 8495475.0164 for a G 1/4 valve.

Characteristic data

Valves

Part Number	Body	Nominal Diameter (mm)	Connection size			Operating pressure *		Flow Q _{N 2)} Base (l/min)	Switching time 3) (ms)		Weight (kg)
			Internal	R	External	min. (bar)	max. (bar)		On	Off	
8495475.0164 ---	Brass	1.6	G 1/4	1)	G 1/4	1	8	200	14	9	0.3
8495475.0165 ~	Brass	1,6	G 1/4	1)	G 1/4	1	8	200	14	9	0.3
8496000.0164 ---	Sandvik 1802 Stainless Steel	1,6	G 1/4	1)	G 1/4	1	8	200	14	9	0.35
8496000.0165 ~	Sandvik 1802 Stainless Steel	1,6	G 1/4	1)	G 1/4	1	8	200	14	9	0.35

- 1) Silenced free ventilation, screw piece (Cat-No. 05 407 41) with O-ring (Cat-No. 06 599 37) for calm air in separate order
- 2) see curve page 2
- 3) At 6 bar acc. to DIN VDI 3290 with A.C. solenoid

State voltage [V] and frequency [Hz]

Solenoid 016x

Standard voltages

DC ---	AC ~ 40 Hz - 60 Hz
24 V	24 V
-	230 V

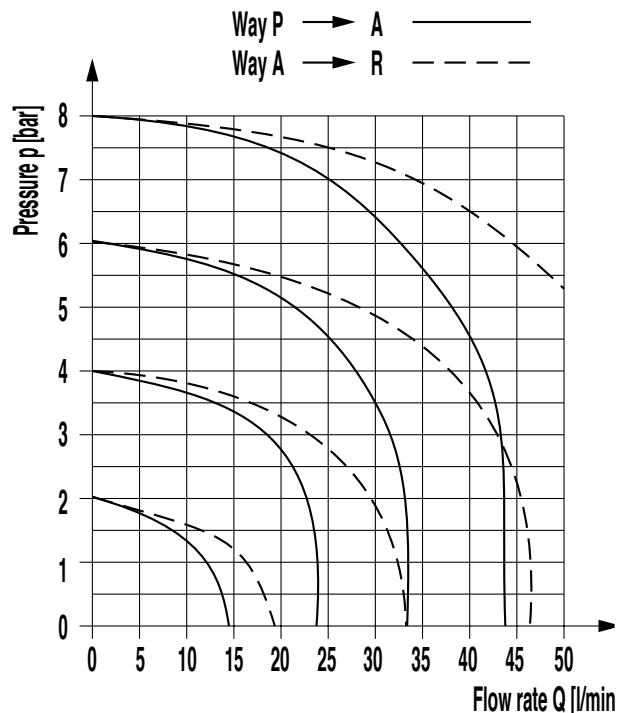
Design acc. to DIN VDE 0580
 Voltage range ±10 %
 100 % duty cycle
 Protection class acc. to EN 60529 IP65
 Socket Form A acc. to DIN EN 175301-803 (included)

Power Consumption

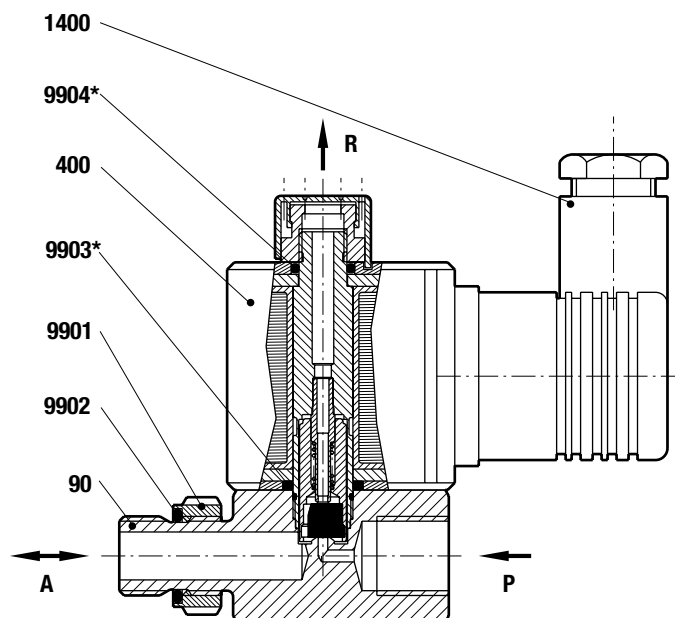
According to DIN VDE 0580 at coil temperature of +20 °C. In operation the power consumption of the solenoid decreases by approx. 30 %.

Solenoid	DC ---	AC ~	
		Inrush	Holding
016x	5 W	6 VA	6 VA

Characteristics curve



Section View

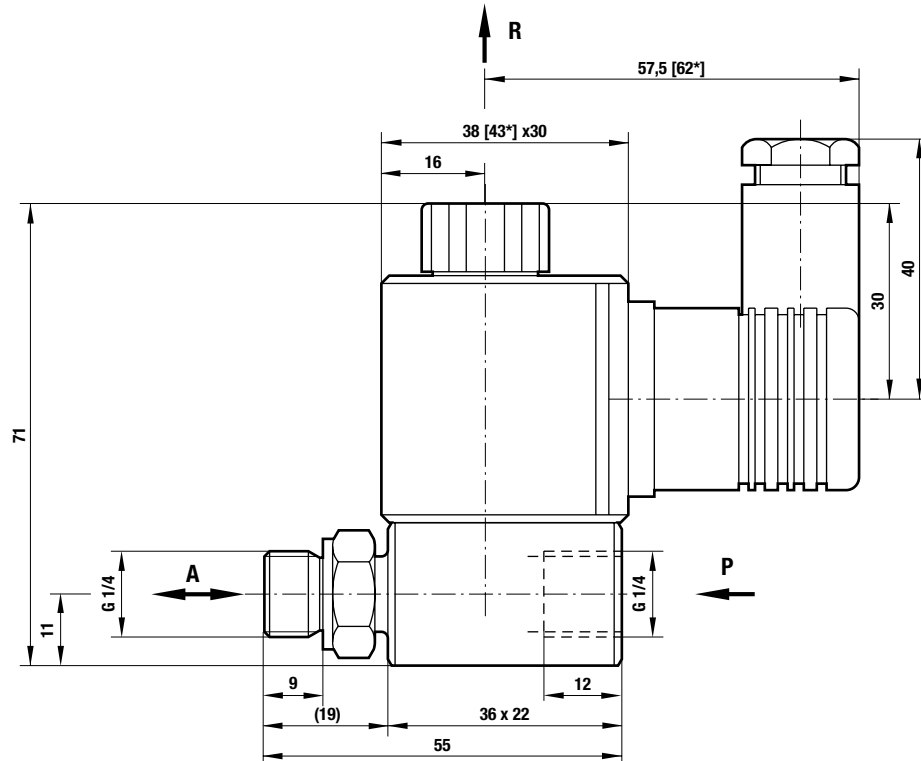


- 90 3/2-way valve without solenoid
incl. Pos. 9901 Special hexagon nut
and Pos. 9902 O-ring
- 400 Solenoid
- 1400 Socket
- *9903 O-Ring
- *9904 O-Ring

* These individual parts form a complete wearing unit.
When ordering spare parts please state Cat no and series no.

General Dimensions

Solenoid rotatable 360°
 Socket turnable 4 x 90°
 (Socket included)



Hinweis zur Druckgeräterichtlinie (DGRL):

Die Ventile dieser Baureihe entsprechen Art. 3 Abs. (3) der Druckgeräterichtlinie (DGRL) 97/23/EG.

Das bedeutet Auslegung und Herstellung nach der im Mitgliedsstaat geltenden guten Ingenieurpraxis.

Die CE-Kennzeichnung am Ventil bezieht sich nicht auf die DGRL.

Somit entfällt die Konformitätserklärung nach dieser Richtlinie.

Hinweis zur EMV-Richtlinie:

Durch eine geeignete elektrische Beschaltung der Ventile ist sicherzustellen, dass die Grenzwerte der harmonisierten Normen EN 61000-6-3 und EN 61000-6-1 eingehalten werden und damit die Richtlinie 2004/108/EG (Elektromagnetische Verträglichkeit) erfüllt ist.