

2/2-way valves DN 8 to DN 50

For neutral gases and liquids

Indirectly solenoid actuated

Piston valves

Internal threads G 1/4 to G 2 or 1/4 NPT to 2 NPT

Operating pressure 0.5 to 40 bar



85300
85310

Description (standard valve)

Solenoid valve for air, water and other neutral fluids

Switching function:	normally closed
Flow direction:	determined
Fluid temperature:	-20 °C up to max. +90 °C
Ambient temperature:	-20 °C up to max. +50 °C
Mounting position:	optional, preferably solenoid vertical on top

Material

Body:	Brass (CW617N)
Seat seal:	NBR
Internal parts:	Stainless steel, Brass, PTFE

For contaminated fluids insertion of a strainer is recommended.

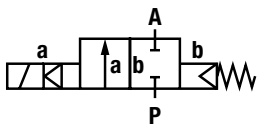
Click-on[®]



Features

- Compact piston valve
- High flow rate
- Damped operation
- Functional compact design
- Solenoid interchangeable without tools (**Click-on[®]**)
- Stainless steel piston bushing

Symbol



Ordering information

To order, quote model number from table overleaf. e. g. 8530400.9151 for a DN 25 valve.

Characteristic Data

Valves

Part Number Solenoid with ---	Nominal Diameter (mm)	Connection Size	Operating Pressure *		k _v -value ** (Base m ³ /h)	Weight Total (kg)
			min. (bar)	max. (bar)		
8530000.9151 8531000.9151	8	G 1/4 1/4 NPT	0.5	40	2.2	0.83
8530100.9151 8531100.9151	10	G 3/8 3/8 NPT	0.5	40	3.4	0.82
8530200.9151 8531200.9151	12	G 1/2 1/2 NPT	0.5	40	4.4	0.85
8530300.9151 8531300.9151	20	G 3/4 3/4 NPT	0.5	40	7.0	1.25
8530400.9151 8531400.9151	25	G 1 1 NPT	0.5	40	10.5	1.70
8530500.9151 8531500.9151	32	G 1 1/4 1 1/4 NPT	0.5	40	25.0	4.10
8530600.9151 8531600.9151	40	G 1 1/2 1 1/2 NPT	0.5	40	27.0	3.85
8530700.9151 8531700.9151	50	G 2 2 NPT	0.5	40	43.0	5.60

* for gases and liquid fluids up to 40 mm²/s (cSt)

State voltage [V] and frequency [Hz]

** C_v-value (US) ≈ k_v-value x 1.2

Solenoid 9151

Standard voltage

DC ---	AC ~ 50 Hz	AC ~ 60 Hz
24 V	24 V	—
—	110 V	120 V
—	230 V	220 V

Design acc. to DIN VDE 0580

Voltage range ±10 %

100 % duty cycle

Protection class acc. to EN 60529 IP65

Socket Form A acc. to DIN EN 175301-803 (included)

Power Consumption

According to DIN VDE 0580 at coil temperature of +20 °C. In operation the power consumption of the solenoid decreases by approx. 30 %.

Solenoid	DC ---	AC ~	
		Inrush	Holding
9151 *	18 W	45 VA	35 VA

*  coil only

Attention!

The conditions imposed on the Ex approvals lead to reduction of the permissible standard temperature ranges in the cases of explosion protected solenoids.

Further Options (Valves)

XXXXX01.XXXX Normally open (NO);
from DN 32: operating pressure 0.5 to 30 bar

XXXXX02.XXXX Manual override

XXXXX03.XXXX Seat seal FPM;
fluid temperature -10 °C up to +110 °C

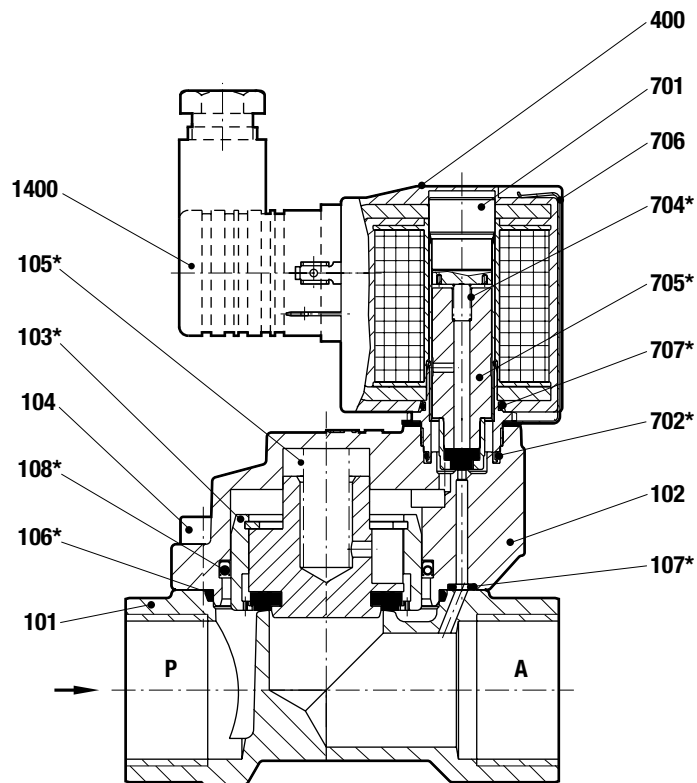
XXXXX14.XXXX Seat seal EPDM; for hot water.
max. fluid temperature +110 °C

On request Further versions

Further Options (Solenoids)

On request Further versions

Section View

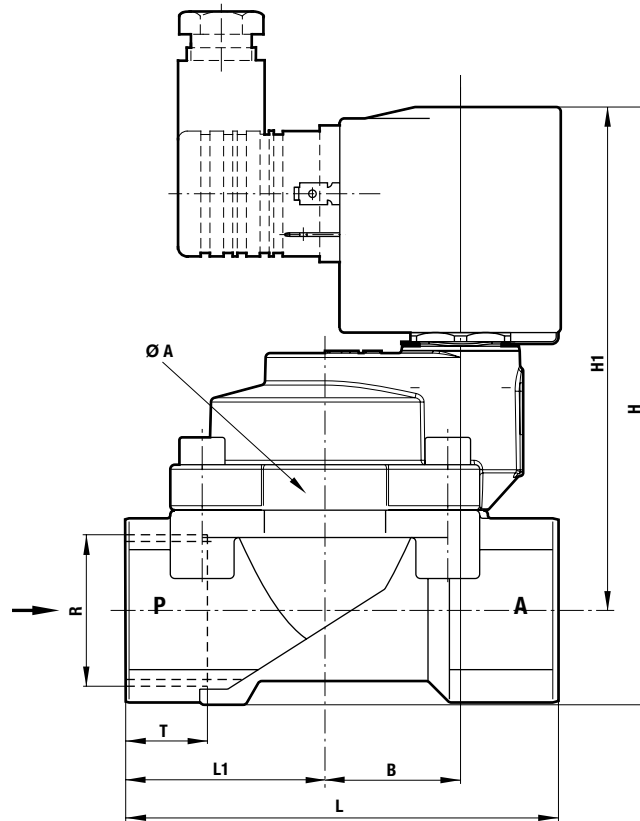


- 101 Valve body
- 102 Valve cover
- *103 Valve plate
- 104 Allen head screw
- *105 Pressure spring
- *106 Gasket
- *107 O-ring
- *108 Lip seal
- 400 Solenoid
- 701 Core tube
- *702 O-ring
- *704 Pressure spring
- *705 Plunger
- 706 Spring clip
- *707 O-ring
- 1400 Electrical connector (included)

* These individual parts form a complete wearing unit.
When ordering spare parts please state Cat. No. and Series No.

General Dimensions

Solenoid rotatable 360°
 Socket turnable 4 x 90°
 (Socket included)



Part Number	Nominal Diameter (mm)	Connection Size	Ø A (mm)	H (mm)	H 1 (mm)	L (mm)	L 1 (mm)	T (mm)
8530000.9151 8531000.9151	8	G 1/4 1/4 NPT	44	105.0	93.5	60	27.5	12
8530100.9151 8531100.9151	10	G 3/8 3/8 NPT	44	105.0	93.5	60	27.5	12
8530200.9151 8531200.9151	12	G 1/2 1/2 NPT	44	107.5	93.5	67	31.0	14
8530300.9151 8531300.9151	20	G 3/4 3/4 NPT	50	119.0	102.5	80	36.5	16
8530400.9151 8531400.9151	25	G 1 1 NPT	62	131.5	110.5	95	44.0	18
8530500.9151 8531500.9151	32	G 1 1/4 1 1/4 NPT	92	166.0	137.0	132	60.0	20
8530600.9151 8531600.9151	40	G 1 1/2 1 1/2 NPT	92	166.0	137.0	132	60.0	22
8530700.9151 8531700.9151	50	G 2 2 NPT	109	186.0	151.5	160	74.0	24

Note to Pressure Equipment Directive (PED):

The valves of this series, including the connection size DN 25 (G 1), are according to Art. 3 § 3 of the Pressure Equipment Directive (PED) 97/23/EG. This means interpretation and production are in accordance to engineers practice wellknown in the member countries.

The CE-sign at the valve refers not to the PED. Thus the declaration of conformity is not longer applicable for this directive.

For valves > DN 25 (G 1) Art. 3 § (1) No.1.4 applies.

The basic requirements of the Enclosure I of the PED must be fulfilled.

The CE-sign at the valve includes the PED. A certificate of conformity of this directive will be available on request.

Note to Electromagnetic Compatibility Guideline (EEC):

The valves shall be provided with an electrical circuit which ensures the limits of the harmonised standards EN 61000-6-3 and EN 61000-6-1 are observed, and hence the requirements of the Electromagnetic Compatibility Guideline (2004/108/EG) satisfied.